

PROJECT: _____	UNIT TAG: _____	QUANTITY: _____
REPRESENTATIVE: _____	TYPE OF SERVICE: _____	DATE: _____
ENGINEER: _____	SUBMITTED BY: _____	DATE: _____
CONTRACTOR: _____	APPROVED BY: _____	DATE: _____
	ORDER NO.: _____	DATE: _____

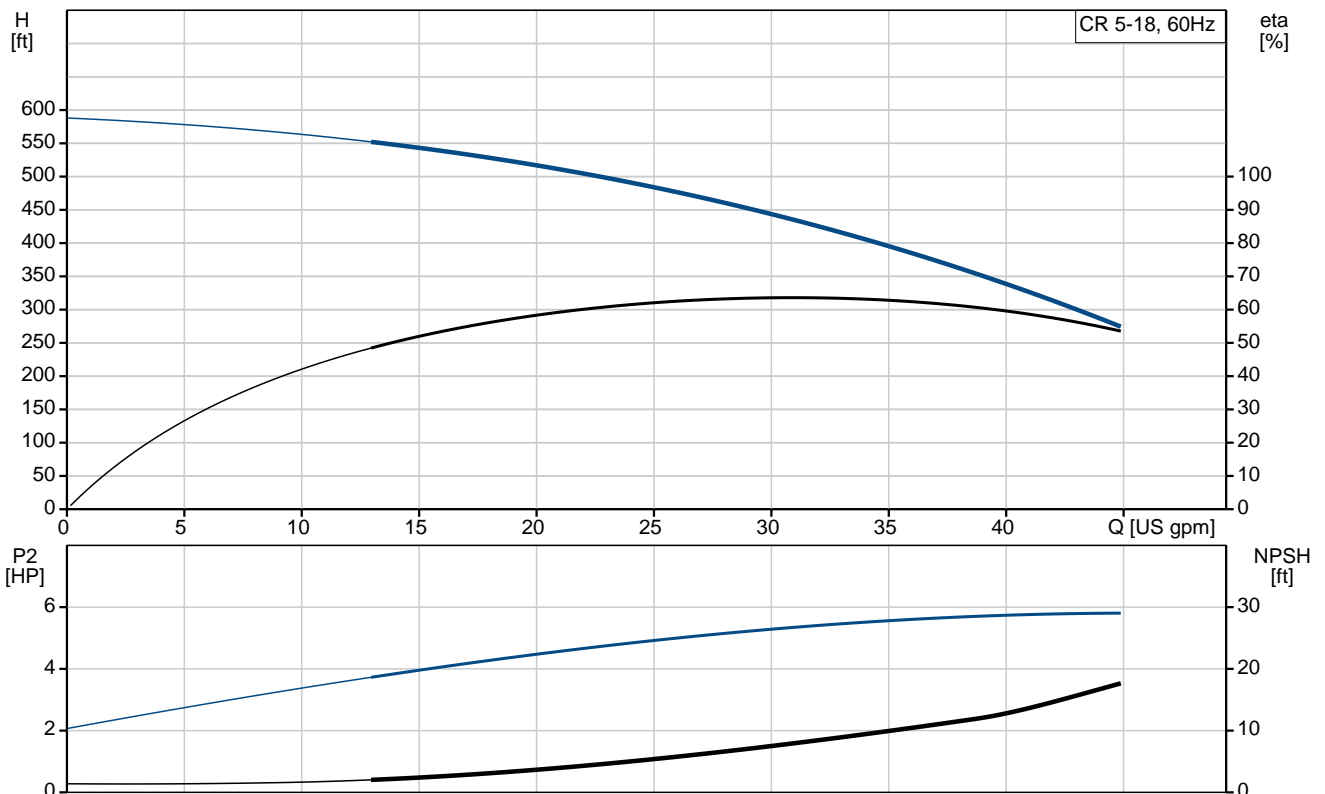


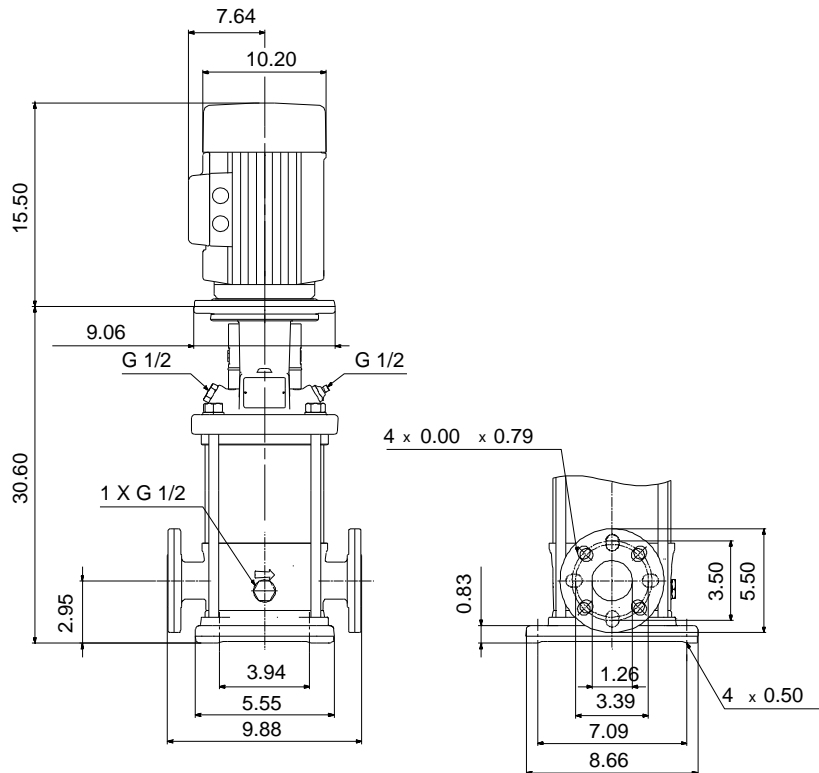
### CR 5-18 A-FGJ-A-V-HQQV

Vertical, multistage centrifugal pump with suction and discharge ports on the same level. The pump head and base are in cast iron. All other wetted parts are in stainless steel (EN 1.4301)(AISI 304)

Product photo could vary from the actual product

Conditions of Service	Pump Data	Motor Data
Flow: _____	Max pressure at stated temperature: 363 psi / 194 °F	Rated power - P2: 7.5 HP
Head: _____	Liquid temperature range: -4 .. 194 °F	Rated voltage: 208-230 V
Efficiency: _____	Maximum ambient temperature: 104 °F	Main frequency: 60 Hz
Liquid: Water	Approvals: CURUS	Insulation class: F
Temperature: 68 °F	Shaft seal: HQQV	Motor protection: NONE
NPSH required: _____	Product number: 96084375	Motor type: Baldor
Viscosity: _____		
Specific Gravity: _____		






**Materials:**

Base: Cast iron  
 EN 1561 EN-GJL-200  
 ASTM A48-25B

Impeller: Stainless steel  
 AISI 304  
 EN 1.4301

Material code: A  
 Code for rubber: V

Count	Description
1	<p data-bbox="225 338 533 360"><b>CR 5-18 A-FGJ-A-V-HQQV</b></p>  <p data-bbox="225 663 491 685">Product No.: <a href="#">96084375</a></p> <p data-bbox="225 692 748 775">Vertical, non-self-priming, multistage, in-line, centrifugal pump for installation in pipe systems and mounting on a foundation.</p> <p data-bbox="225 810 703 833">The pump has the following characteristics:</p> <ul data-bbox="264 840 850 1075" style="list-style-type: none"> <li>- Impellers and intermediate chambers are made of Stainless steel, EN 1.4301.</li> <li>- Pump head and base are made of Cast iron.</li> <li>- The shaft seal has assembly length according to EN 12756.</li> <li>- Power transmission is via cast iron split coupling.</li> <li>- Pipework connection is via DIN / ANSI / JIS flanges.</li> </ul> <p data-bbox="225 1108 600 1131">The motor is a 1-phase AC motor.</p> <p data-bbox="225 1167 325 1189">Controls:</p> <p data-bbox="225 1196 660 1218">Frequency converter:                 NONE</p> <p data-bbox="225 1254 309 1276"><b>Liquid:</b></p> <p data-bbox="225 1283 660 1305">Pumped liquid:                         Water</p> <p data-bbox="225 1312 715 1335">Liquid temperature range:         -4 .. 194 °F</p> <p data-bbox="225 1341 651 1364">Selected liquid temperature:       68 °F</p> <p data-bbox="225 1370 708 1393">Density:                                 62.29 lb/ft³</p> <p data-bbox="225 1429 347 1451"><b>Technical:</b></p> <p data-bbox="225 1458 695 1480">Rated pump speed:                   3508 rpm</p> <p data-bbox="225 1487 735 1509">Rated flow:                           30.4 US gpm</p> <p data-bbox="225 1516 676 1538">Rated head:                           441.6 ft</p> <p data-bbox="225 1545 676 1568">Pump orientation:                   Vertical</p> <p data-bbox="225 1574 660 1597">Shaft seal arrangement:           Single</p> <p data-bbox="225 1603 660 1626">Code for shaft seal:                 HQQV</p> <p data-bbox="225 1632 676 1655">Approvals on nameplate:         CURUS</p> <p data-bbox="225 1662 788 1684">Curve tolerance:                   ISO9906:2012 3B</p> <p data-bbox="225 1720 341 1742"><b>Materials:</b></p> <p data-bbox="225 1749 831 1839">Base:                                   Cast iron EN 1561 EN-GJL-200 ASTM A48-25B</p> <p data-bbox="225 1845 751 1935">Impeller:                             Stainless steel EN 1.4301 AISI 304</p> <p data-bbox="225 1942 632 1964">Bearing:                               SIC</p> <p data-bbox="225 2000 363 2022"><b>Installation:</b></p> <p data-bbox="225 2029 660 2051">Maximum ambient temperature: 104 °F</p> <p data-bbox="225 2058 703 2080">Maximum operating pressure: 362.59 psi</p>



Company name:

Created by:

Phone:

Date:

6/24/2019

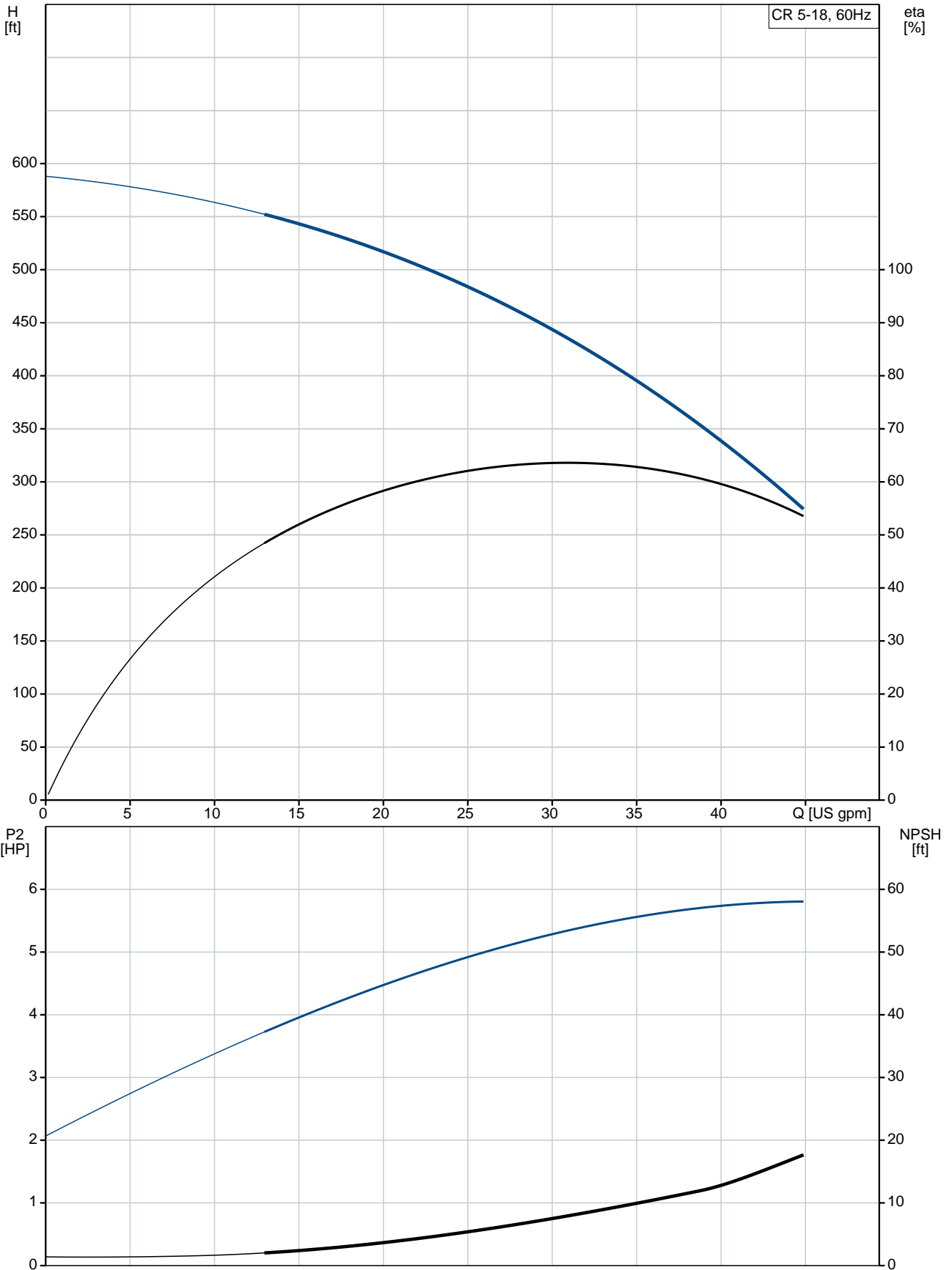
Count	Description
	Max pressure at stated temperature: 363 psi / 194 °F 363 psi / -4 °F
	Type of connection: DIN / ANSI / JIS
	Size of inlet connection: DN 25/32
	Size of outlet connection: DN 25/32
	Pressure rating for pipe connection: PN 25
	Flange rating inlet: 250 lb
	Flange size for motor: 213TC
	<b>Electrical data:</b>
	Motor standard: NEMA
	Motor type: Baldor
	Rated power - P2: 7.5 HP
	Power (P2) required by pump: 7.5 HP
	Main frequency: 60 Hz
	Rated voltage: 1 x 208-230 V
	Service factor: 1.15
	Rated current: 33.8-31.0 A
	Rated speed: 3450 rpm
	Number of poles: 2
	Insulation class (IEC 85): F
	Motor Number: 85700017
	<b>Others:</b>
	Net weight: 184 lb
	Gross weight: 202 lb
	Shipping volume: 11.3 ft <sup>3</sup>



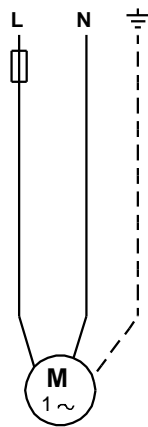
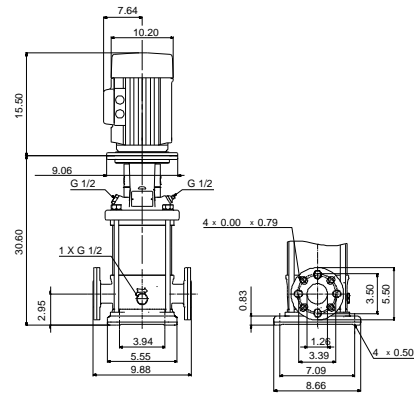
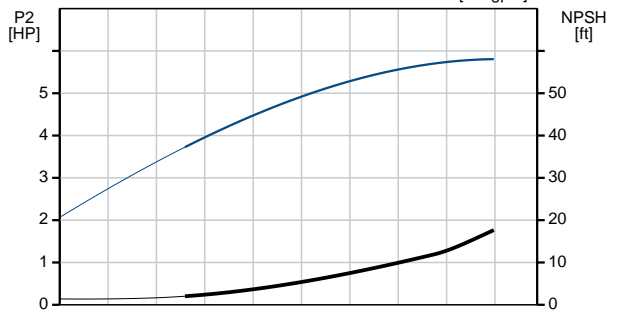
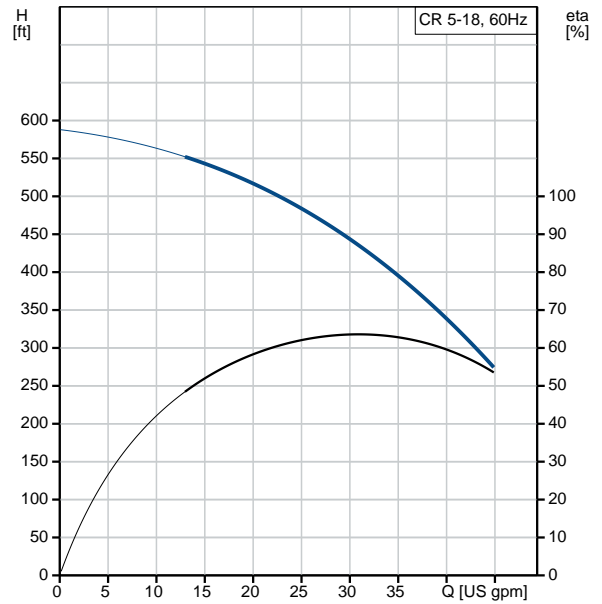
Company name:  
Created by:  
Phone:

Date: 6/24/2019

### 96084375 CR 5-18 A-FGJ-A-V-HQQV 60 Hz



Description	Value
<b>General information:</b>	
Product name:	CR 5-18 A-FGJ-A-V-HQQV
Product No.:	96084375
EAN:	5700395192131 5700395192131
<b>Technical:</b>	
Rated pump speed:	3508 rpm
Rated flow:	30.4 US gpm
Rated head:	441.6 ft
Head max:	583 ft
Stages:	18
Impellers:	18
Number of reduced-diameter impellers:	0
Low NPSH:	N
Pump orientation:	Vertical
Shaft seal arrangement:	Single
Code for shaft seal:	HQQV
Approvals on nameplate:	CURUS
Curve tolerance:	ISO9906:2012 3B
Pump version:	A
Model:	A
Cooling:	TEFC
<b>Materials:</b>	
Base:	Cast iron EN 1561 EN-GJL-200 ASTM A48-25B
Impeller:	Stainless steel EN 1.4301 AISI 304
Material code:	A
Code for rubber:	V
Bearing:	SIC
<b>Installation:</b>	
Maximum ambient temperature:	104 °F
Maximum operating pressure:	362.59 psi
Max pressure at stated temperature:	363 psi / 194 °F 363 psi / -4 °F
Type of connection:	DIN / ANSI / JIS
Size of inlet connection:	DN 25/32
Size of outlet connection:	DN 25/32
Pressure rating for pipe connection:	PN 25
Flange rating inlet:	250 lb
Flange size for motor:	213TC
Connect code:	FGJ
<b>Liquid:</b>	
Pumped liquid:	Water
Liquid temperature range:	-4 .. 194 °F
Selected liquid temperature:	68 °F
Density:	62.29 lb/ft³
<b>Electrical data:</b>	
Motor standard:	NEMA
Motor type:	Baldor
Rated power - P2:	7.5 HP
Power (P2) required by pump:	7.5 HP
Main frequency:	60 Hz
Rated voltage:	1 x 208-230 V
Service factor:	1.15





Company name:

Created by:

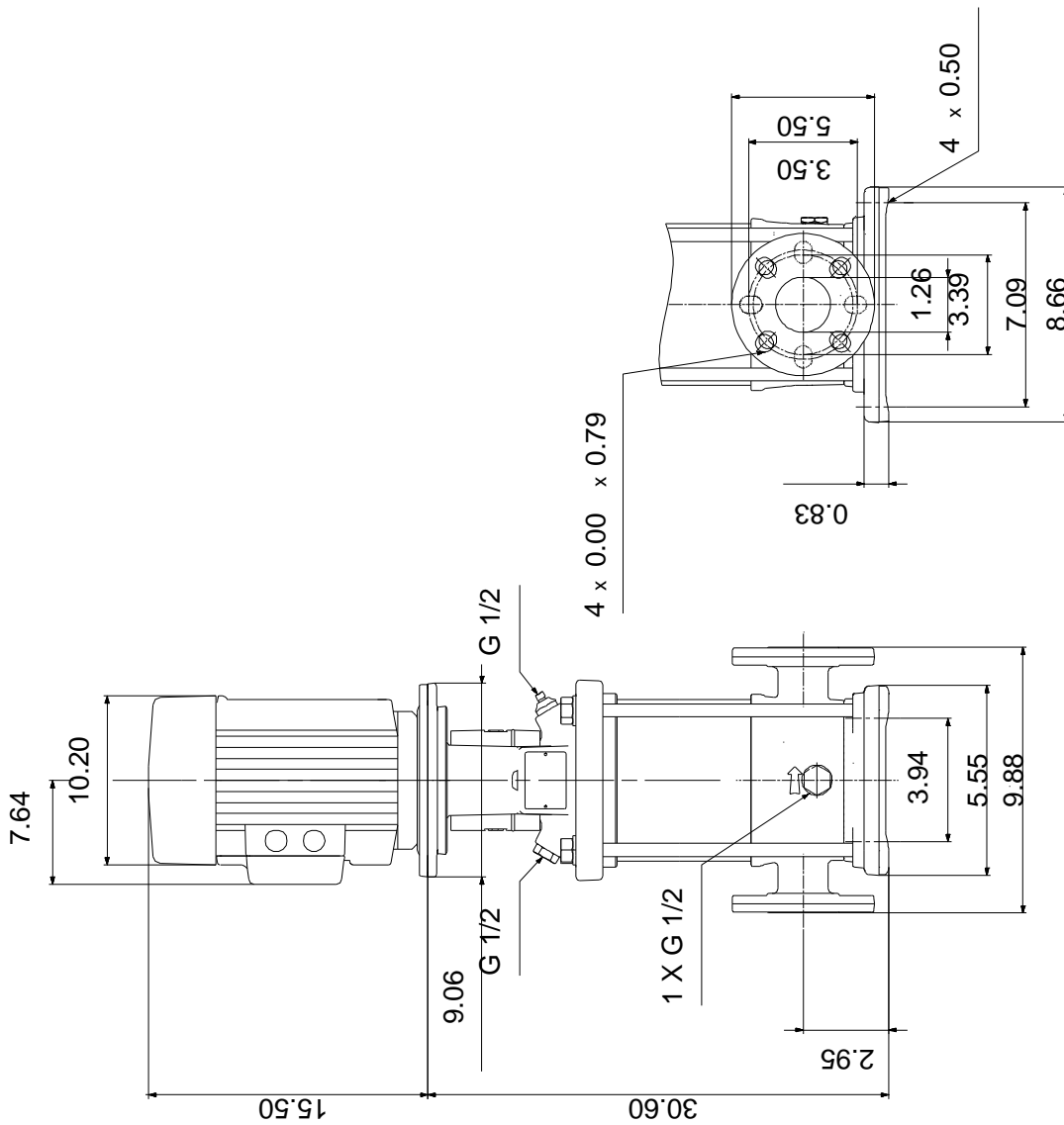
Phone:

Date:

6/24/2019

Description	Value
Rated current:	33.8-31.0 A
Load current:	39.3-35.5 A
Rated speed:	3450 rpm
Number of poles:	2
Insulation class (IEC 85):	F
Motor protection:	NONE
Motor Number:	85700017
<b>Controls:</b>	
Frequency converter:	NONE
<b>Others:</b>	
Net weight:	184 lb
Gross weight:	202 lb
Shipping volume:	11.3 ft <sup>3</sup>

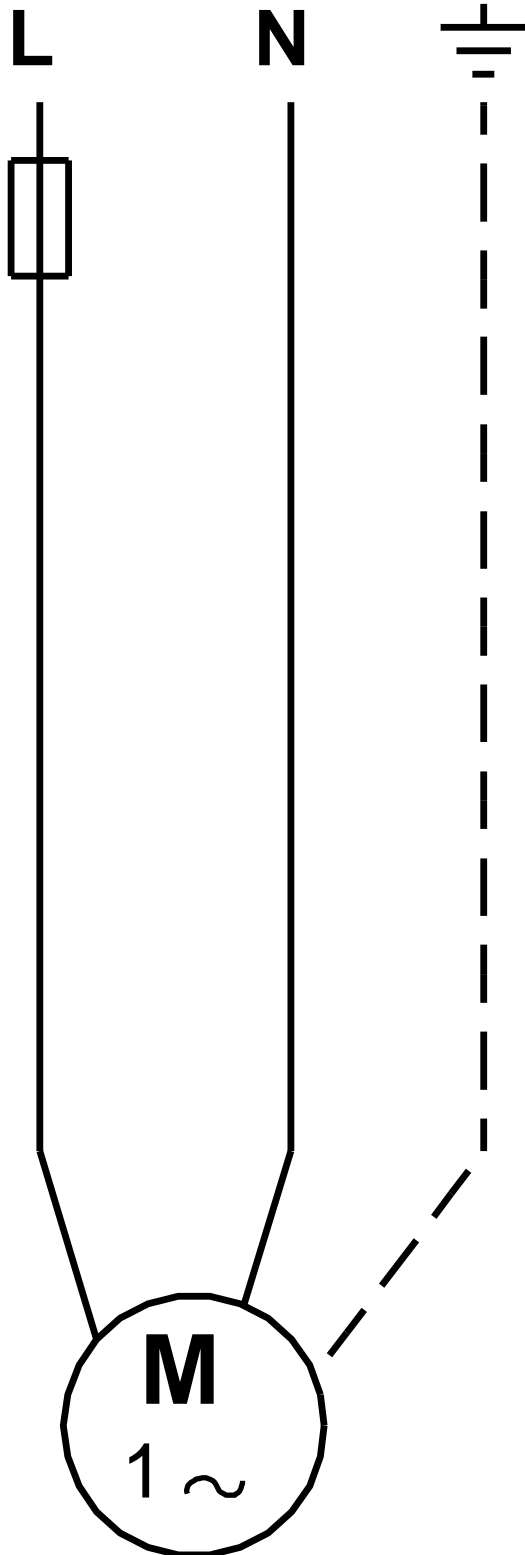
**96084375 CR 5-18 A-FGJ-A-V-HQQV 60 Hz**



Note! All units are in [in] unless otherwise stated.  
 Disclaimer: This simplified dimensional drawing does not show all details.



**96084375 CR 5-18 A-FGJ-A-V-HQQV 60 Hz**



All units are [in] unless otherwise presented.