

PROJECT: _____	UNIT TAG: _____	QUANTITY: _____
REPRESENTATIVE: _____	TYPE OF SERVICE: _____	DATE: _____
ENGINEER: _____	SUBMITTED BY: _____	DATE: _____
CONTRACTOR: _____	APPROVED BY: _____	DATE: _____
	ORDER NO.: _____	DATE: _____

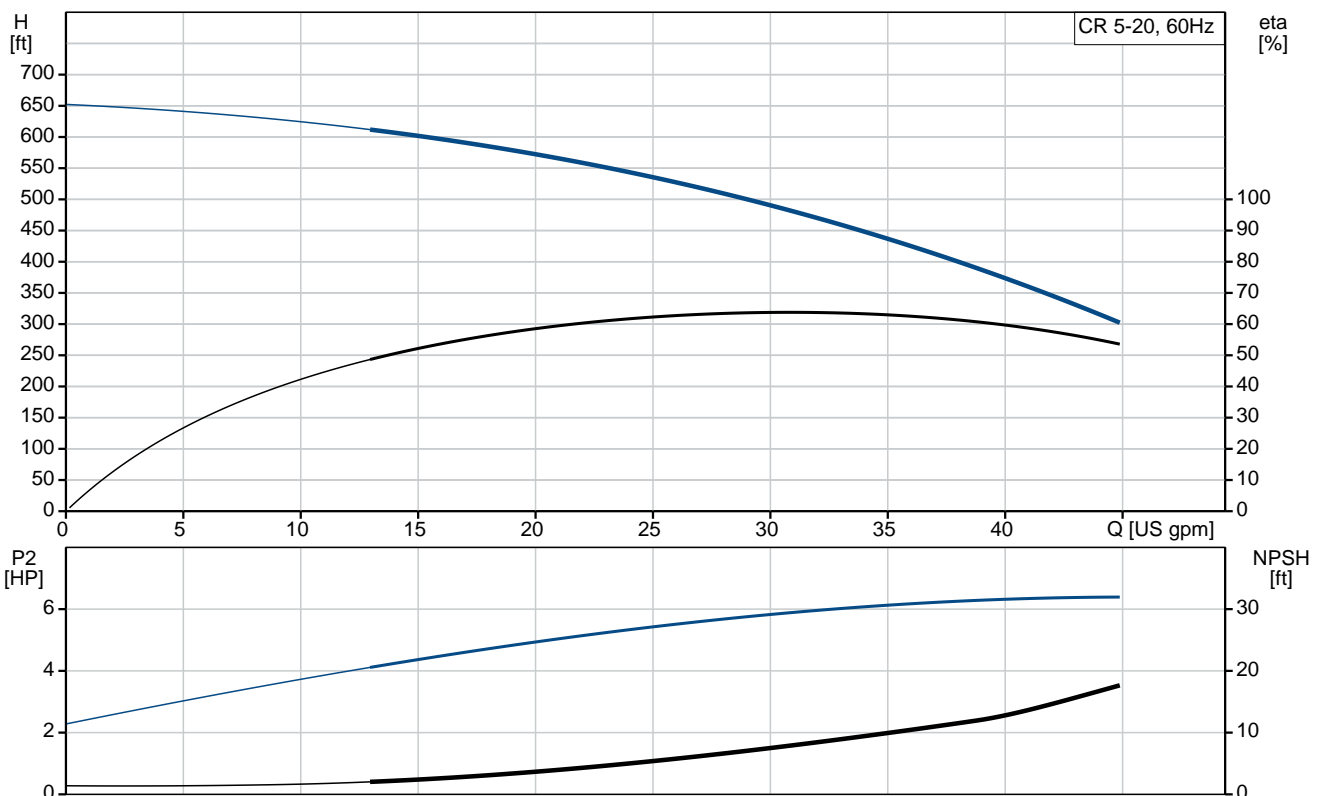


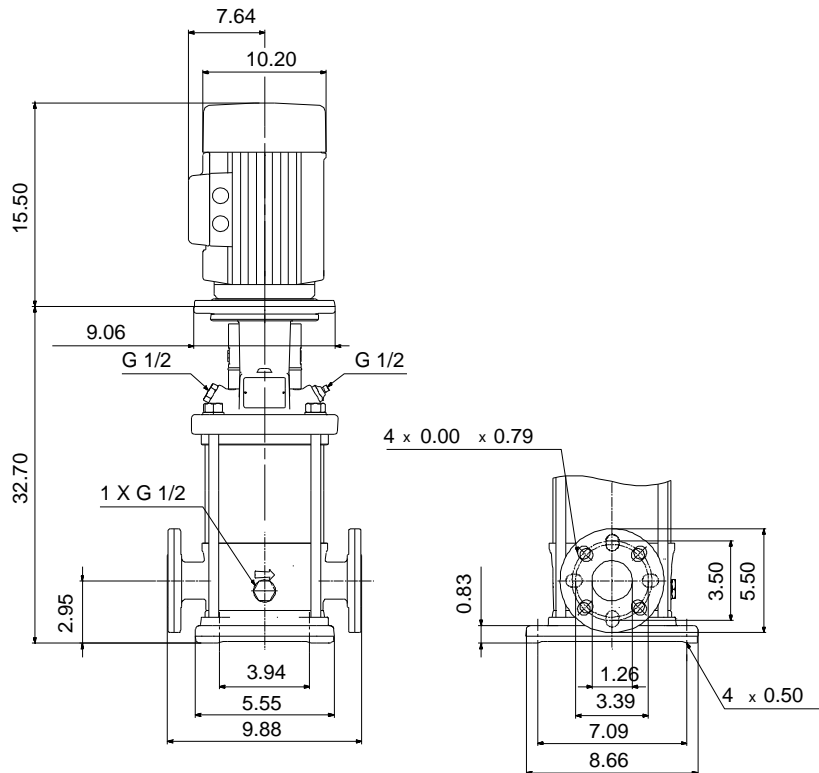
CR 5-20 A-FGJ-A-V-HQQV

Vertical, multistage centrifugal pump with suction and discharge ports on the same level. The pump head and base are in cast iron. All other wetted parts are in stainless steel (EN 1.4301)(AISI 304)

Product photo could vary from the actual product

Conditions of Service	Pump Data	Motor Data
Flow: _____	Max pressure at stated temperature: 363 psi / 194 °F	Rated power - P2: 7.5 HP
Head: _____	Liquid temperature range: -4 .. 194 °F	Rated voltage: 208-230 V
Efficiency: _____	Maximum ambient temperature: 104 °F	Main frequency: 60 Hz
Liquid: Water	Approvals: CURUS	Insulation class: F
Temperature: 68 °F	Shaft seal: HQQV	Motor protection: NONE
NPSH required: ft	Product number: 96084377	Motor type: Baldor
Viscosity: _____		
Specific Gravity: 1.000		





Materials:

Base: Cast iron
 EN 1561 EN-GJL-200
 ASTM A48-25B

Impeller: Stainless steel
 AISI 304
 EN 1.4301

Material code: A
 Code for rubber: V

Count	Description
1	<p data-bbox="225 342 533 365">CR 5-20 A-FGJ-A-V-HQQV</p> <div data-bbox="256 383 576 790">  </div> <p data-bbox="619 770 1070 792">Product photo could vary from the actual product</p> <p data-bbox="225 801 491 824">Product No.: 96084377</p> <p data-bbox="225 831 746 913">Vertical, non-self-priming, multistage, in-line, centrifugal pump for installation in pipe systems and mounting on a foundation.</p> <p data-bbox="225 949 699 972">The pump has the following characteristics:</p> <ul data-bbox="264 981 847 1037" style="list-style-type: none"> - Impellers and intermediate chambers are made of - The shaft seal has assembly length <p data-bbox="225 1043 485 1066">according to EN 12756.</p> <ul data-bbox="264 1072 735 1128" style="list-style-type: none"> - Power transmission is via cast iron split coupling. <p data-bbox="225 1160 600 1182">The motor is a 1-phase AC motor.</p> <p data-bbox="225 1218 325 1240">Controls:</p> <p data-bbox="225 1247 660 1270">Frequency converter: NONE</p> <p data-bbox="225 1305 309 1328">Liquid:</p> <p data-bbox="225 1337 660 1359">Pumped liquid: Water</p> <p data-bbox="225 1366 715 1388">Liquid temperature range: -4 .. 194 °F</p> <p data-bbox="225 1395 651 1417">Selected liquid temperature: 68 °F</p> <p data-bbox="225 1424 708 1447">Density: 62.29 lb/ft³</p> <p data-bbox="225 1482 347 1505">Technical:</p> <p data-bbox="225 1514 695 1536">Rated pump speed: 3508 rpm</p> <p data-bbox="225 1543 735 1565">Rated flow: 30.4 US gpm</p> <p data-bbox="225 1572 676 1594">Rated head: 489.5 ft</p> <p data-bbox="225 1601 676 1624">Pump orientation: Vertical</p> <p data-bbox="225 1630 660 1653">Shaft seal arrangement: Single</p> <p data-bbox="225 1659 660 1682">Code for shaft seal: HQQV</p> <p data-bbox="225 1688 676 1711">Approvals on nameplate: CURUS</p> <p data-bbox="225 1718 788 1740">Curve tolerance: ISO9906:2012 3B</p> <p data-bbox="225 1776 341 1798">Materials:</p> <p data-bbox="225 1807 831 1897">Base: Cast iron EN 1561 EN-GJL-200 ASTM A48-25B</p> <p data-bbox="225 1904 751 1960">Impeller: Stainless steel EN 1.4301</p> <p data-bbox="225 1966 687 2011">Bearing: AISI 304 SIC</p> <p data-bbox="225 2047 368 2069">Installation:</p> <p data-bbox="225 2076 663 2098">Maximum ambient temperature: 104 °F</p>



Company name:

Created by:

Phone:

Date:

6/25/2019

Count	Description
	Maximum operating pressure: 362.59 psi Max pressure at stated temperature: 363 psi / 194 °F 363 psi / -4 °F
	Type of connection: DIN / ANSI / JIS
	Size of inlet connection: DN 25/32
	Size of suction port: 1 1/4 inch
	Size of outlet connection: DN 25/32
	Size of outlet port: 1 1/4 inch
	Pressure rating for pipe connection: PN 25
	Flange rating inlet: 250 lb
	Flange size for motor: 213TC
	Electrical data:
	Motor standard: NEMA
	Motor type: Baldor
	Rated power - P2: 7.5 HP
	Power (P2) required by pump: 7.5 HP
	Main frequency: 60 Hz
	Rated voltage: 1 x 208-230 V
	Service factor: 1.15
	Rated current: 33.8-31.0 A
	Rated speed: 3450 rpm
	Number of poles: 2
	Insulation class (IEC 85): F
	Motor Number: 85700017
	Others:
	Net weight: 187 lb
	Gross weight: 205 lb
	Shipping volume: 11.3 ft ³
	Country of origin: US
	Custom tariff no.: 8413.70.2040



Company name:

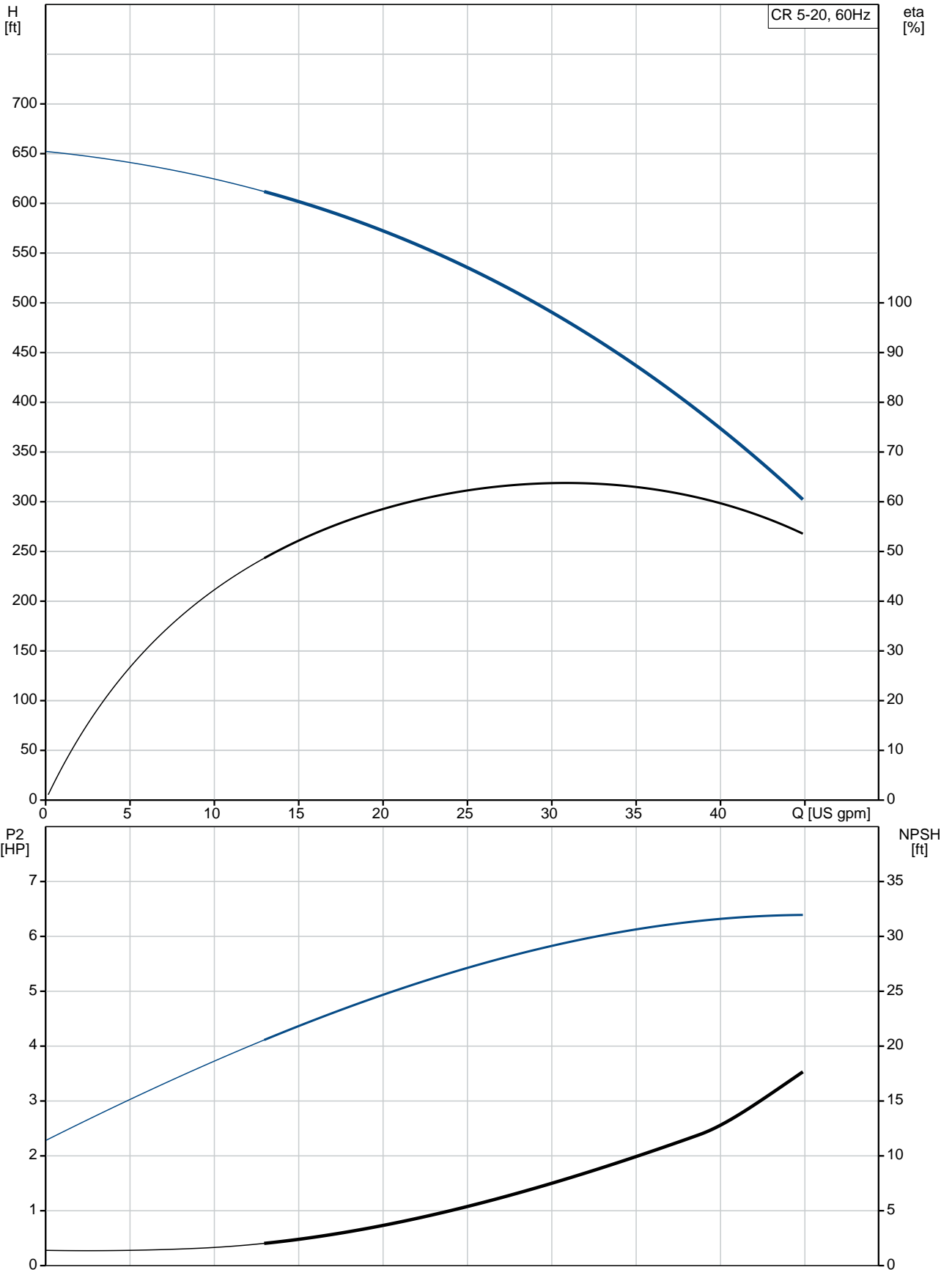
Created by:

Phone:

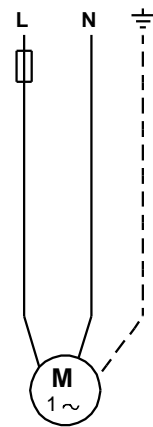
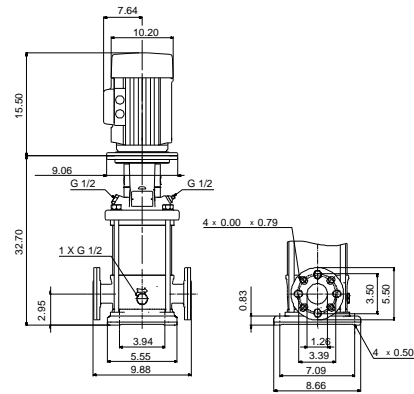
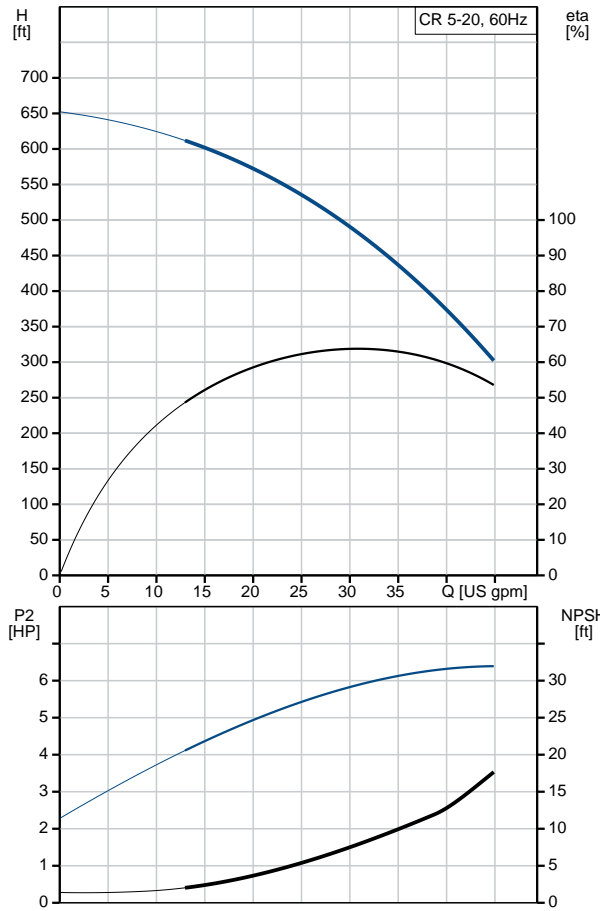
Date:

6/25/2019

96084377 CR 5-20 A-FGJ-A-V-HQQV 60 Hz



Description	Value
General information:	
Product name:	CR 5-20 A-FGJ-A-V-HQQV
Product No.:	96084377
EAN:	5700395192155
Technical:	
Rated pump speed:	3508 rpm
Rated flow:	30.4 US gpm
Rated head:	489.5 ft
Head max:	647 ft
Stages:	20
Impellers:	20
Number of reduced-diameter impellers:	0
Low NPSH:	N
Pump orientation:	Vertical
Shaft seal arrangement:	Single
Code for shaft seal:	HQQV
Approvals on nameplate:	CURUS
Curve tolerance:	ISO9906:2012 3B
Pump version:	A
Model:	A
Cooling:	TEFC
Materials:	
Base:	Cast iron EN 1561 EN-GJL-200 ASTM A48-25B
Impeller:	Stainless steel EN 1.4301 AISI 304
Material code:	A
Code for rubber:	V
Bearing:	SIC
Installation:	
Maximum ambient temperature:	104 °F
Maximum operating pressure:	362.59 psi
Max pressure at stated temperature:	363 psi / 194 °F 363 psi / -4 °F
Type of connection:	DIN / ANSI / JIS
Size of inlet connection:	DN 25/32
Size of suction port:	1 1/4 inch
Size of outlet connection:	DN 25/32
Size of outlet port:	1 1/4 inch
Pressure rating for pipe connection:	PN 25
Flange rating inlet:	250 lb
Flange size for motor:	213TC
Connect code:	FGJ
Liquid:	
Pumped liquid:	Water
Liquid temperature range:	-4 .. 194 °F
Selected liquid temperature:	68 °F
Density:	62.29 lb/ft³
Electrical data:	
Motor standard:	NEMA
Motor type:	Baldor
Rated power - P2:	7.5 HP
Power (P2) required by pump:	7.5 HP
Main frequency:	60 Hz
Rated voltage:	1 x 208-230 V





Company name:

Created by:

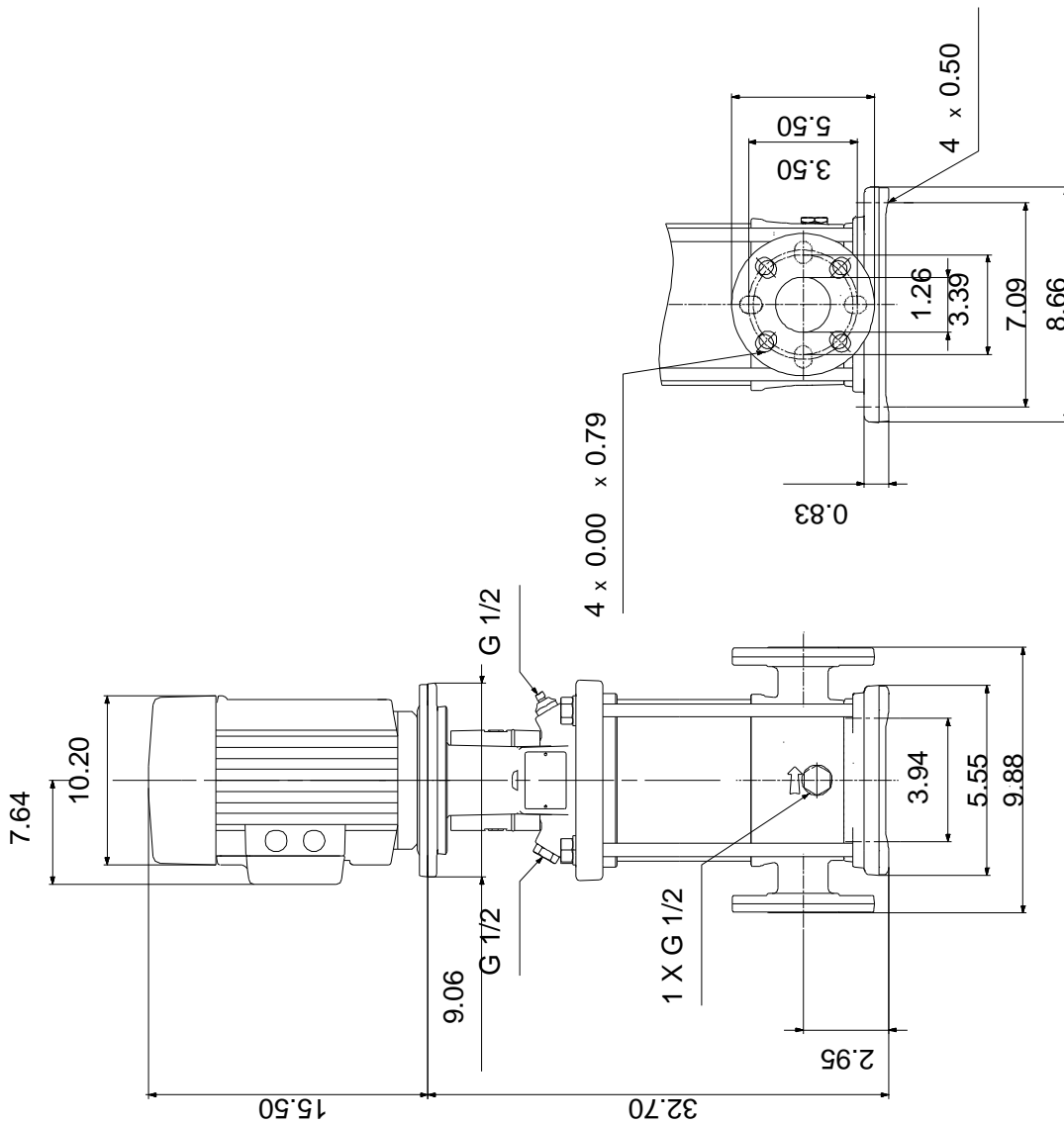
Phone:

Date:

6/25/2019

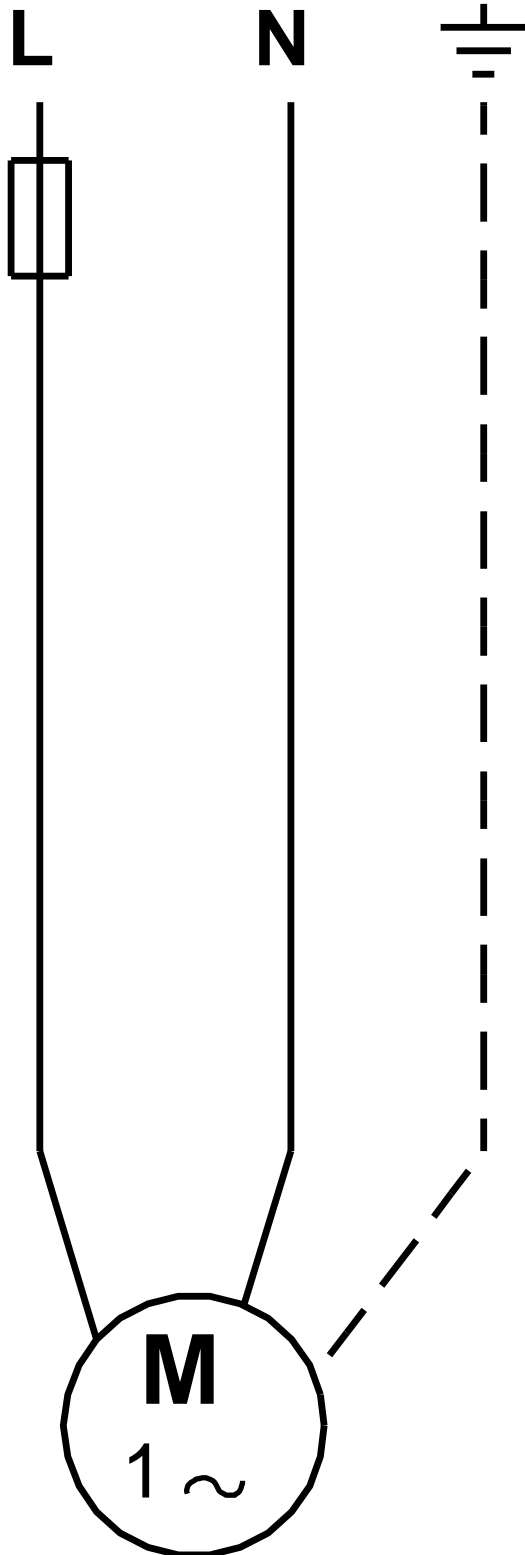
Description	Value
Service factor:	1.15
Rated current:	33.8-31.0 A
Load current:	39.3-35.5 A
Rated speed:	3450 rpm
Number of poles:	2
Insulation class (IEC 85):	F
Motor protection:	NONE
Motor Number:	85700017
Controls:	
Frequency converter:	NONE
Others:	
Net weight:	187 lb
Gross weight:	205 lb
Shipping volume:	11.3 ft ³
Country of origin:	US
Custom tariff no.:	8413.70.2040

96084377 CR 5-20 A-FGJ-A-V-HQQV 60 Hz



Note! All units are in [in] unless otherwise stated.
 Disclaimer: This simplified dimensional drawing does not show all details.

96084377 CR 5-20 A-FGJ-A-V-HQQV 60 Hz



All units are [in] unless otherwise presented.