

PROJECT: _____	UNIT TAG: _____	QUANTITY: _____
REPRESENTATIVE: _____	TYPE OF SERVICE: _____	DATE: _____
ENGINEER: _____	SUBMITTED BY: _____	DATE: _____
CONTRACTOR: _____	APPROVED BY: _____	DATE: _____
	ORDER NO.: _____	DATE: _____

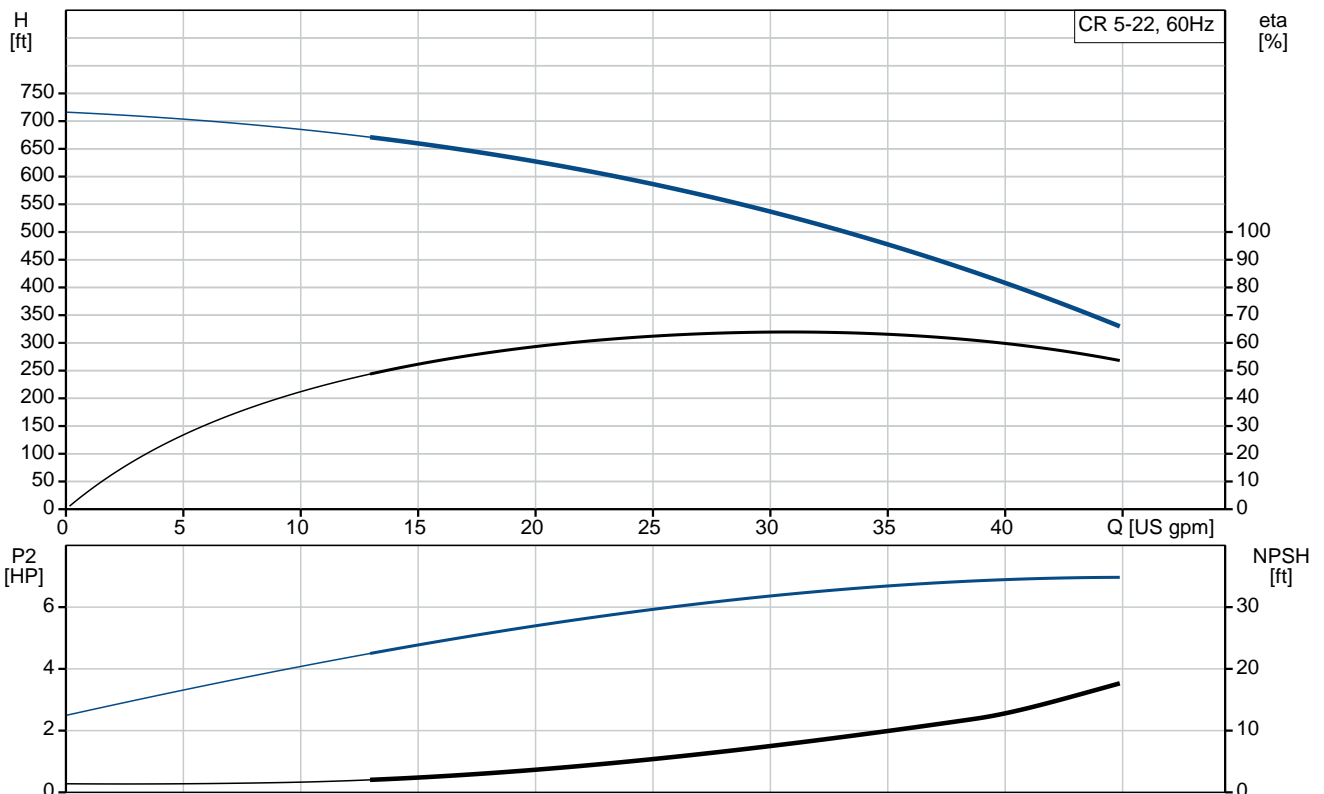


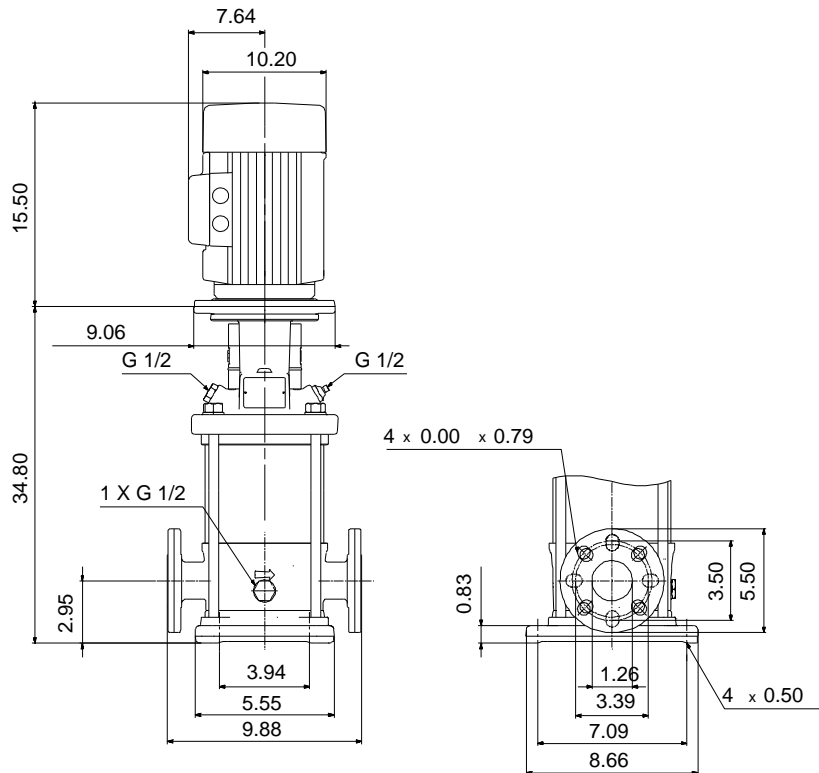
CR 5-22 A-FGJ-A-V-HQQV

Vertical, multistage centrifugal pump with suction and discharge ports on the same level. The pump head and base are in cast iron. All other wetted parts are in stainless steel (EN 1.4301)(AISI 304)

Product photo could vary from the actual product

Conditions of Service	Pump Data	Motor Data
Flow: _____	Max pressure at stated temperature: 363 psi / 194 °F	Rated power - P2: 7.5 HP
Head: _____	Liquid temperature range: -4 .. 194 °F	Rated voltage: 208-230 V
Efficiency: _____	Maximum ambient temperature: 104 °F	Main frequency: 60 Hz
Liquid: Water	Approvals: CURUS	Insulation class: F
Temperature: 68 °F	Shaft seal: HQQV	Motor protection: NONE
NPSH required: ft	Product number: 96084379	Motor type: Baldor
Viscosity: _____		
Specific Gravity: 1.000		






Materials:

Base: Cast iron
 EN 1561 EN-GJL-200
 ASTM A48-25B

Impeller: Stainless steel
 AISI 304
 EN 1.4301

Material code: A
 Code for rubber: V

Count	Description
1	<p data-bbox="225 338 533 367">CR 5-22 A-FGJ-A-V-HQQV</p>  <p data-bbox="225 660 491 689">Product No.: 96084379</p> <p data-bbox="225 692 748 779">Vertical, non-self-priming, multistage, in-line, centrifugal pump for installation in pipe systems and mounting on a foundation.</p> <p data-bbox="225 808 703 837">The pump has the following characteristics:</p> <ul data-bbox="263 840 850 958" style="list-style-type: none"> - Impellers and intermediate chambers are made of - The shaft seal has assembly length according to EN 12756. - Power transmission is via cast iron split coupling. <p data-bbox="225 1016 600 1046">The motor is a 1-phase AC motor.</p> <p data-bbox="225 1077 327 1106">Controls:</p> <p data-bbox="225 1108 662 1137">Frequency converter: NONE</p> <p data-bbox="225 1169 311 1198">Liquid:</p> <p data-bbox="225 1200 662 1229">Pumped liquid: Water</p> <p data-bbox="225 1232 715 1261">Liquid temperature range: -4 .. 194 °F</p> <p data-bbox="225 1263 651 1292">Selected liquid temperature: 68 °F</p> <p data-bbox="225 1294 710 1323">Density: 62.29 lb/ft³</p> <p data-bbox="225 1355 351 1384">Technical:</p> <p data-bbox="225 1386 699 1415">Rated pump speed: 3508 rpm</p> <p data-bbox="225 1417 735 1447">Rated flow: 30.4 US gpm</p> <p data-bbox="225 1449 678 1478">Rated head: 536.8 ft</p> <p data-bbox="225 1480 678 1509">Pump orientation: Vertical</p> <p data-bbox="225 1512 662 1541">Shaft seal arrangement: Single</p> <p data-bbox="225 1543 662 1572">Code for shaft seal: HQQV</p> <p data-bbox="225 1574 678 1603">Approvals on nameplate: CURUS</p> <p data-bbox="225 1606 788 1635">Curve tolerance: ISO9906:2012 3B</p> <p data-bbox="225 1666 343 1695">Materials:</p> <p data-bbox="225 1697 831 1760">Base: Cast iron EN 1561 EN-GJL-200 ASTM A48-25B</p> <p data-bbox="225 1762 751 1825">Impeller: Stainless steel EN 1.4301 AISI 304</p> <p data-bbox="225 1850 635 1879">Bearing: SIC</p> <p data-bbox="225 1910 367 1939">Installation:</p> <p data-bbox="225 1942 662 1971">Maximum ambient temperature: 104 °F</p> <p data-bbox="225 1973 703 2002">Maximum operating pressure: 362.59 psi</p> <p data-bbox="225 2004 826 2067">Max pressure at stated temperature: 363 psi / 194 °F 363 psi / -4 °F</p> <p data-bbox="225 2069 767 2098">Type of connection: DIN / ANSI / JIS</p>



Company name:

Created by:

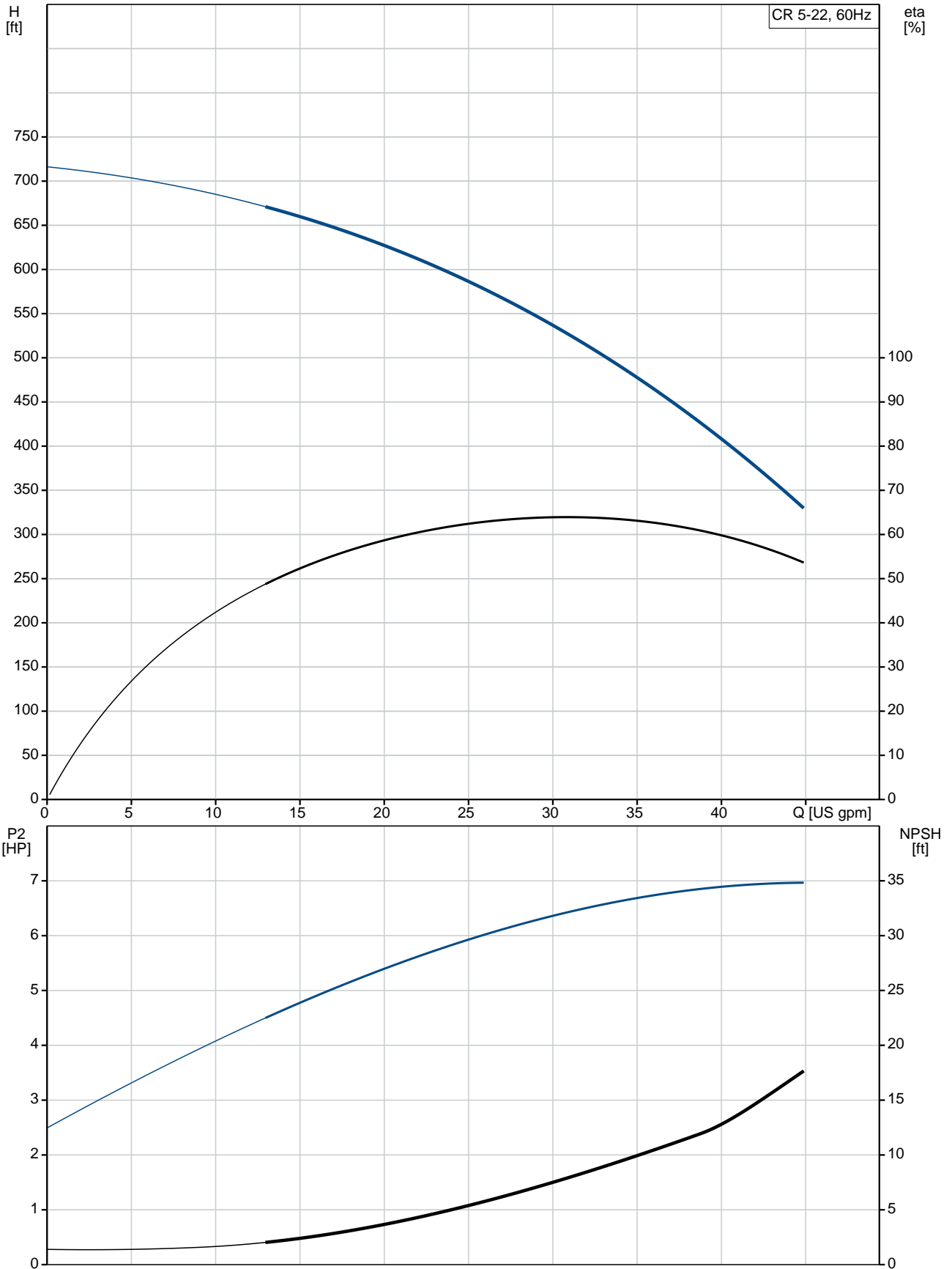
Phone:

Date:

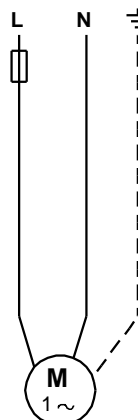
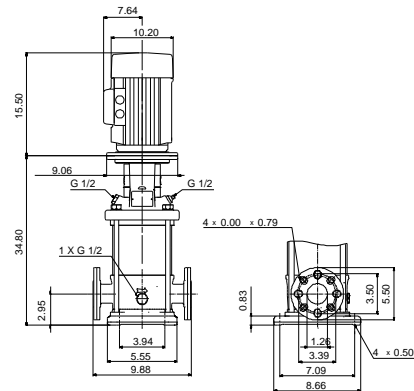
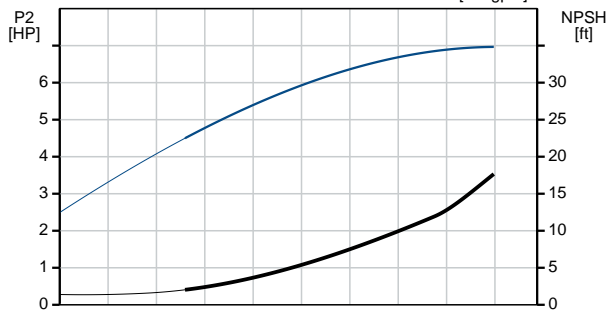
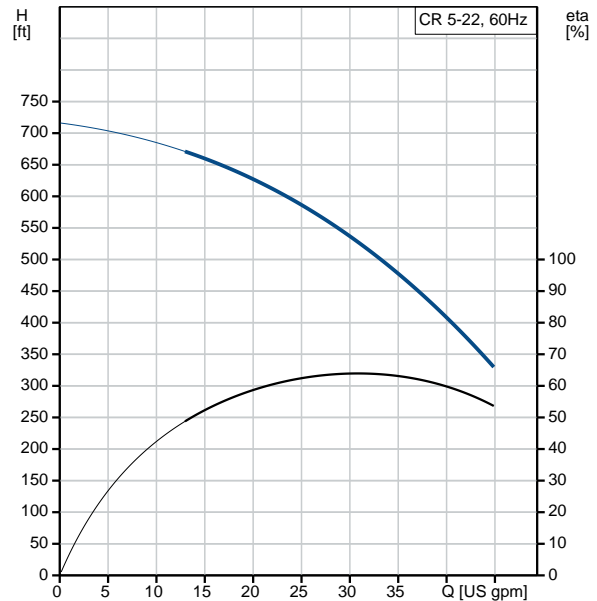
6/25/2019

Count	Description
	Size of inlet connection: DN 25/32
	Size of suction port: 1 1/4 inch
	Size of outlet connection: DN 25/32
	Size of outlet port: 1 1/4 inch
	Pressure rating for pipe connection: PN 25
	Flange rating inlet: 250 lb
	Flange size for motor: 213TC
	Electrical data:
	Motor standard: NEMA
	Motor type: Baldor
	Rated power - P2: 7.5 HP
	Power (P2) required by pump: 7.5 HP
	Main frequency: 60 Hz
	Rated voltage: 1 x 208-230 V
	Service factor: 1.15
	Rated current: 33.8-31.0 A
	Rated speed: 3450 rpm
	Number of poles: 2
	Insulation class (IEC 85): F
	Motor Number: 85700017
	Others:
	Net weight: 190 lb
	Gross weight: 302 lb
	Shipping volume: 11.3 ft ³
	Country of origin: US
	Custom tariff no.: 8413.70.2040

96084379 CR 5-22 A-FGJ-A-V-HQQV 60 Hz



Description	Value
General information:	
Product name:	CR 5-22 A-FGJ-A-V-HQQV
Product No.:	96084379
EAN:	5700395192179
Technical:	
Rated pump speed:	3508 rpm
Rated flow:	30.4 US gpm
Rated head:	536.8 ft
Head max:	711 ft
Stages:	22
Impellers:	22
Number of reduced-diameter impellers:	0
Low NPSH:	N
Pump orientation:	Vertical
Shaft seal arrangement:	Single
Code for shaft seal:	HQQV
Approvals on nameplate:	CURUS
Curve tolerance:	ISO9906:2012 3B
Pump version:	A
Model:	A
Cooling:	TEFC
Materials:	
Base:	Cast iron EN 1561 EN-GJL-200 ASTM A48-25B
Impeller:	Stainless steel EN 1.4301 AISI 304
Material code:	A
Code for rubber:	V
Bearing:	SIC
Installation:	
Maximum ambient temperature:	104 °F
Maximum operating pressure:	362.59 psi
Max pressure at stated temperature:	363 psi / 194 °F 363 psi / -4 °F
Type of connection:	DIN / ANSI / JIS
Size of inlet connection:	DN 25/32
Size of suction port:	1 1/4 inch
Size of outlet connection:	DN 25/32
Size of outlet port:	1 1/4 inch
Pressure rating for pipe connection:	PN 25
Flange rating inlet:	250 lb
Flange size for motor:	213TC
Connect code:	FGJ
Liquid:	
Pumped liquid:	Water
Liquid temperature range:	-4 .. 194 °F
Selected liquid temperature:	68 °F
Density:	62.29 lb/ft³
Electrical data:	
Motor standard:	NEMA
Motor type:	Baldor
Rated power - P2:	7.5 HP
Power (P2) required by pump:	7.5 HP
Main frequency:	60 Hz
Rated voltage:	1 x 208-230 V





Company name:

Created by:

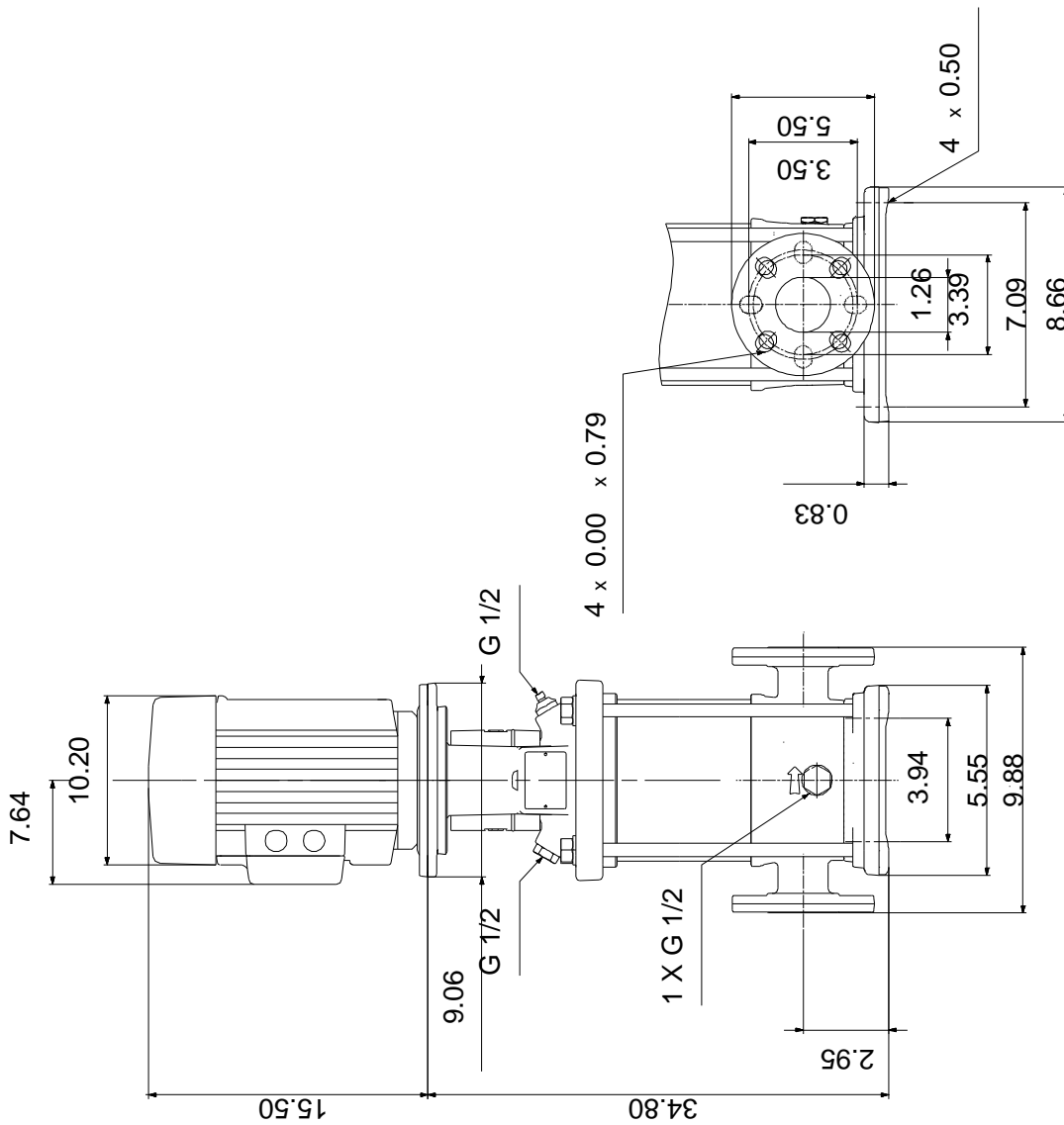
Phone:

Date:

6/25/2019

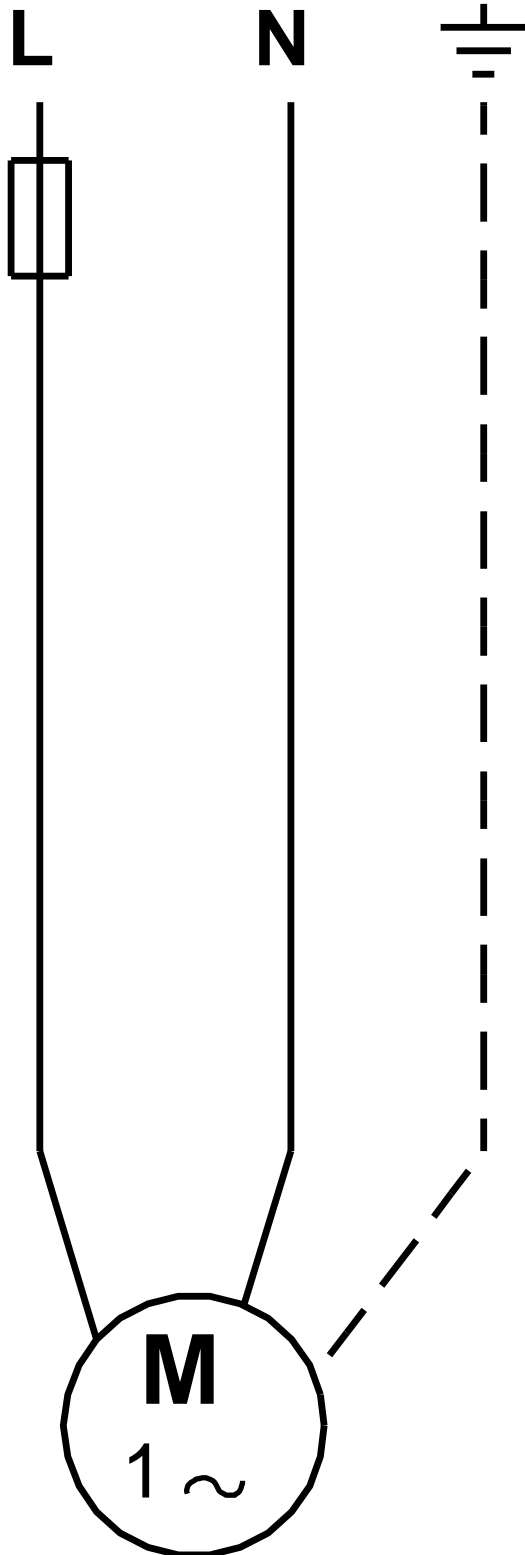
Description	Value
Service factor:	1.15
Rated current:	33.8-31.0 A
Load current:	39.3-35.5 A
Rated speed:	3450 rpm
Number of poles:	2
Insulation class (IEC 85):	F
Motor protection:	NONE
Motor Number:	85700017
Controls:	
Frequency converter:	NONE
Others:	
Net weight:	190 lb
Gross weight:	302 lb
Shipping volume:	11.3 ft ³
Country of origin:	US
Custom tariff no.:	8413.70.2040

96084379 CR 5-22 A-FGJ-A-V-HQQV 60 Hz



Note! All units are in [in] unless otherwise stated.
Disclaimer: This simplified dimensional drawing does not show all details.

96084379 CR 5-22 A-FGJ-A-V-HQQV 60 Hz



All units are [in] unless otherwise presented.