

PROJECT: _____	UNIT TAG: _____	QUANTITY: _____
REPRESENTATIVE: _____	TYPE OF SERVICE: _____	DATE: _____
ENGINEER: _____	SUBMITTED BY: _____	DATE: _____
CONTRACTOR: _____	APPROVED BY: _____	DATE: _____
	ORDER NO.: _____	DATE: _____

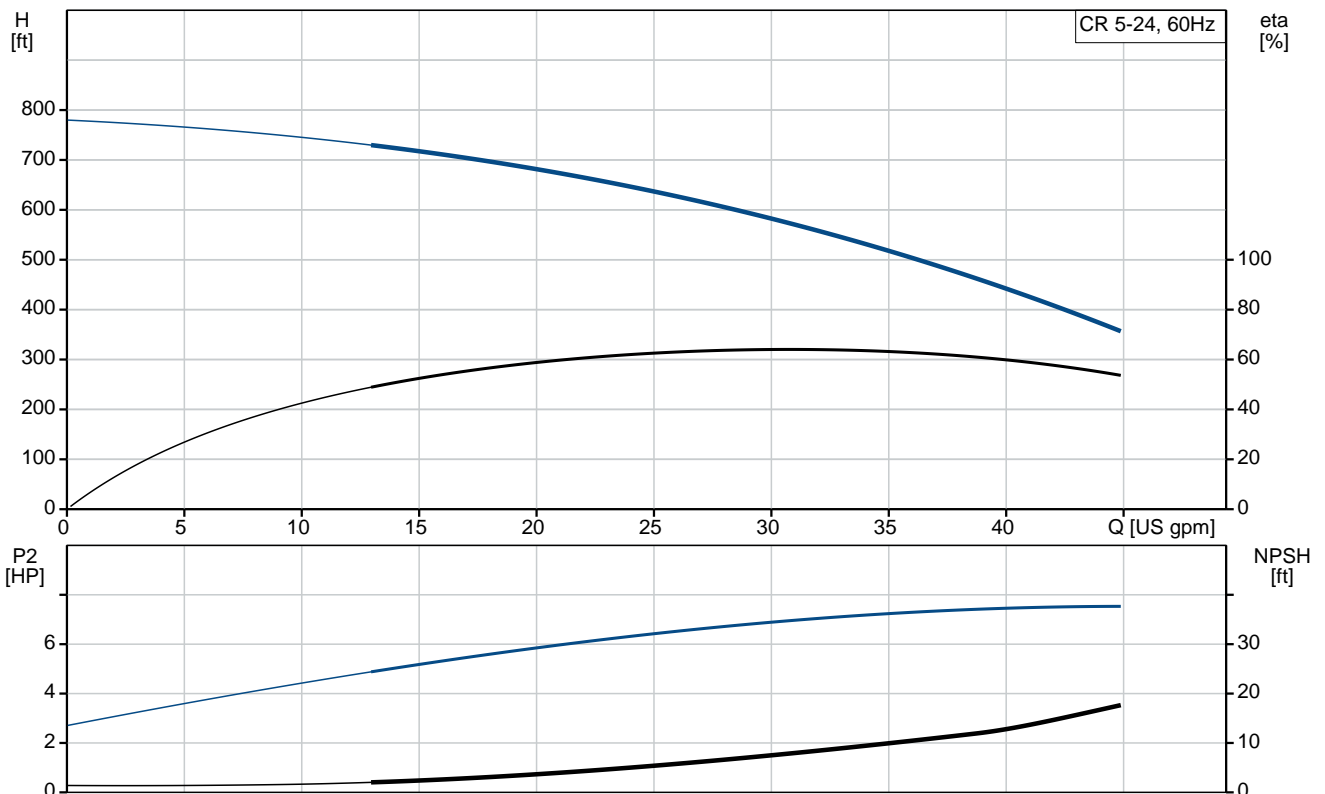


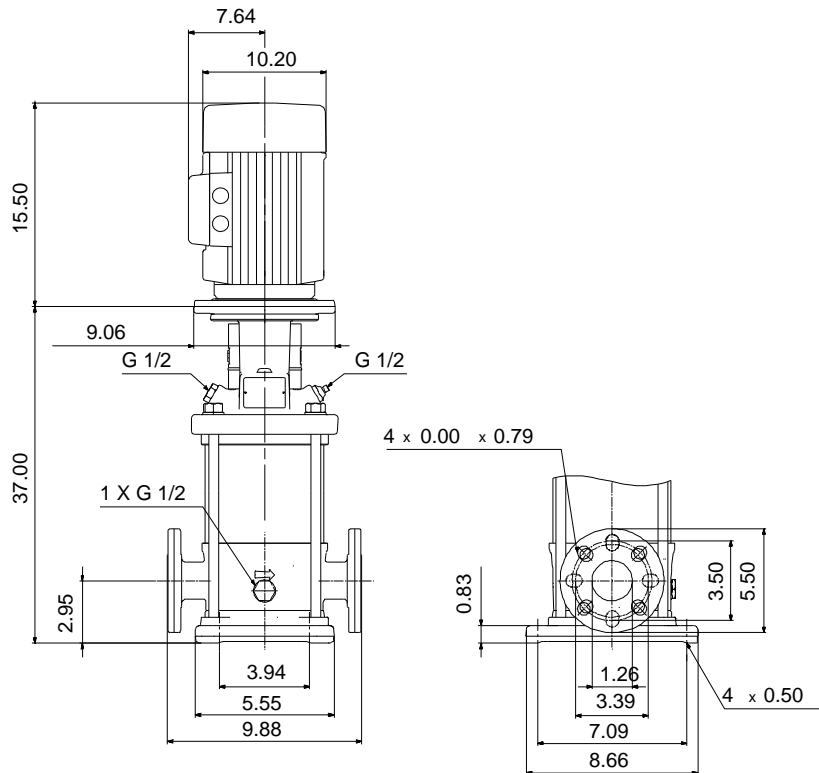
CR 5-24 A-FGJ-A-V-HQQV

Vertical, multistage centrifugal pump with suction and discharge ports on the same level. The pump head and base are in cast iron. All other wetted parts are in stainless steel (EN 1.4301)(AISI 304)

Product photo could vary from the actual product

Conditions of Service	Pump Data	Motor Data
Flow: _____	Max pressure at stated temperature: 363 psi / 194 °F	Rated power - P2: 7.5 HP
Head: _____	Liquid temperature range: -4 .. 194 °F	Rated voltage: 208-230 V
Efficiency: _____	Maximum ambient temperature: 104 °F	Main frequency: 60 Hz
Liquid: Water	Approvals: CURUS	Insulation class: F
Temperature: 68 °F	Shaft seal: HQQV	Motor protection: NONE
NPSH required: ft	Product number: 96084381	Motor type: Baldor
Viscosity: _____		
Specific Gravity: 1.000		






Materials:

Base: Cast iron
 EN 1561 EN-GJL-200
 ASTM A48-25B

Impeller: Stainless steel
 AISI 304
 EN 1.4301

Material code: A
 Code for rubber: V

Count	Description
1	<p data-bbox="225 338 533 367">CR 5-24 A-FGJ-A-V-HQQV</p>  <p data-bbox="225 660 489 689">Product No.: 96084381</p> <p data-bbox="225 692 750 779">Vertical, non-self-priming, multistage, in-line, centrifugal pump for installation in pipe systems and mounting on a foundation.</p> <p data-bbox="225 808 703 837">The pump has the following characteristics:</p> <ul data-bbox="263 840 852 958" style="list-style-type: none"> - Impellers and intermediate chambers are made of - The shaft seal has assembly length according to EN 12756. - Power transmission is via cast iron split coupling. <p data-bbox="225 1016 601 1046">The motor is a 1-phase AC motor.</p> <p data-bbox="225 1077 328 1106">Controls:</p> <p data-bbox="225 1108 662 1137">Frequency converter: NONE</p> <p data-bbox="225 1167 312 1196">Liquid:</p> <p data-bbox="225 1198 659 1227">Pumped liquid: Water</p> <p data-bbox="225 1229 715 1258">Liquid temperature range: -4 .. 194 °F</p> <p data-bbox="225 1261 651 1290">Selected liquid temperature: 68 °F</p> <p data-bbox="225 1292 710 1321">Density: 62.29 lb/ft³</p> <p data-bbox="225 1350 352 1379">Technical:</p> <p data-bbox="225 1382 697 1411">Rated pump speed: 3508 rpm</p> <p data-bbox="225 1413 735 1442">Rated flow: 30.4 US gpm</p> <p data-bbox="225 1444 676 1473">Rated head: 583.7 ft</p> <p data-bbox="225 1476 675 1505">Pump orientation: Vertical</p> <p data-bbox="225 1507 660 1536">Shaft seal arrangement: Single</p> <p data-bbox="225 1538 663 1568">Code for shaft seal: HQQV</p> <p data-bbox="225 1570 679 1599">Approvals on nameplate: CURUS</p> <p data-bbox="225 1601 788 1630">Curve tolerance: ISO9906:2012 3B</p> <p data-bbox="225 1659 344 1688">Materials:</p> <p data-bbox="225 1691 831 1760">Base: Cast iron EN 1561 EN-GJL-200 ASTM A48-25B</p> <p data-bbox="225 1762 751 1832">Impeller: Stainless steel EN 1.4301 AISI 304</p> <p data-bbox="225 1856 632 1886">Bearing: SIC</p> <p data-bbox="225 1915 368 1944">Installation:</p> <p data-bbox="225 1946 665 1975">Maximum ambient temperature: 104 °F</p> <p data-bbox="225 1977 707 2007">Maximum operating pressure: 362.59 psi</p> <p data-bbox="225 2009 828 2078">Max pressure at stated temperature: 363 psi / 194 °F 363 psi / -4 °F</p> <p data-bbox="225 2080 769 2110">Type of connection: DIN / ANSI / JIS</p>



Company name:

Created by:

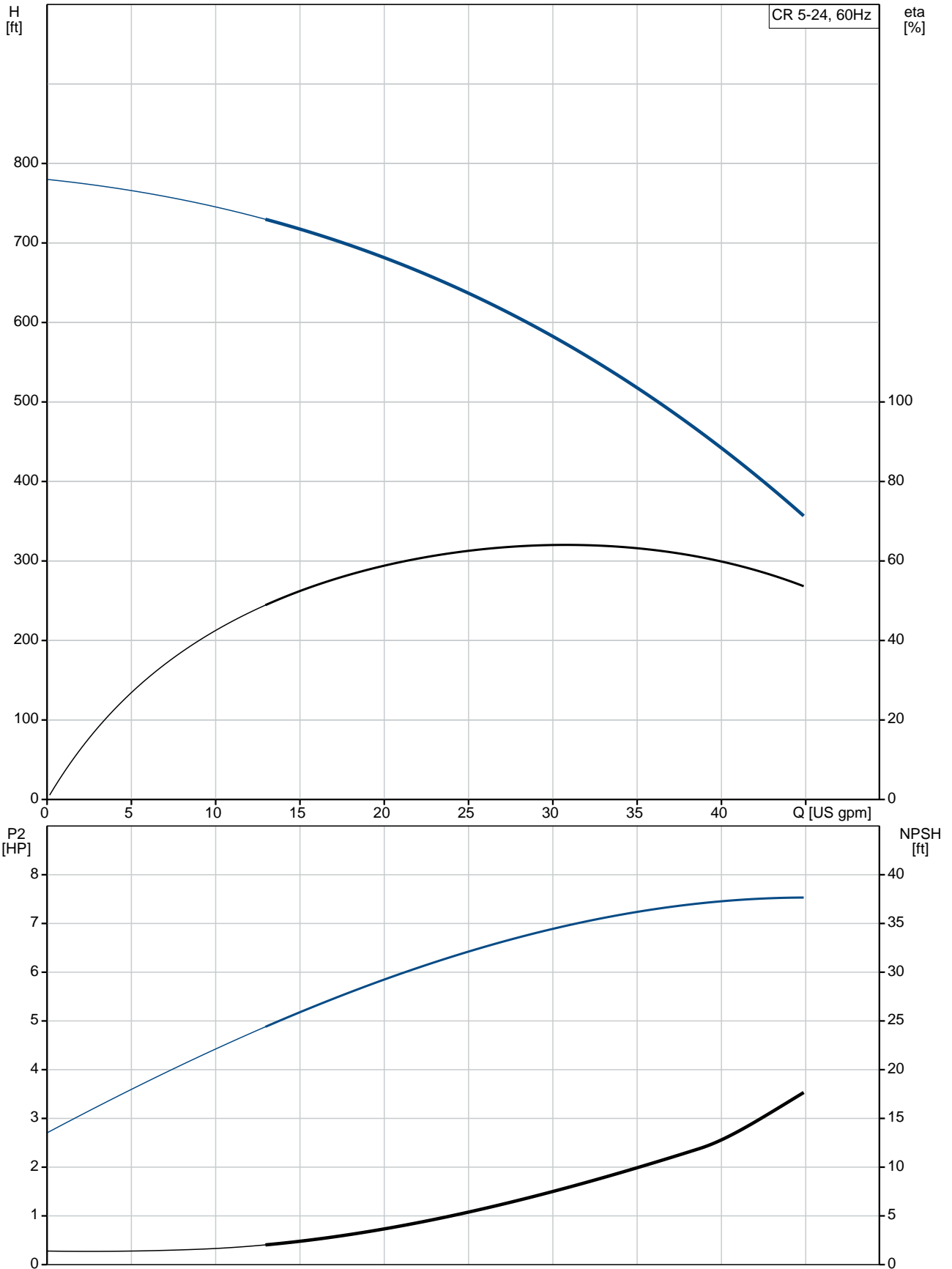
Phone:

Date:

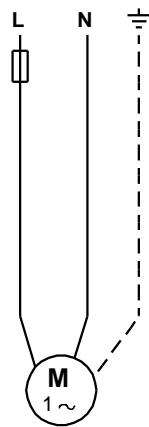
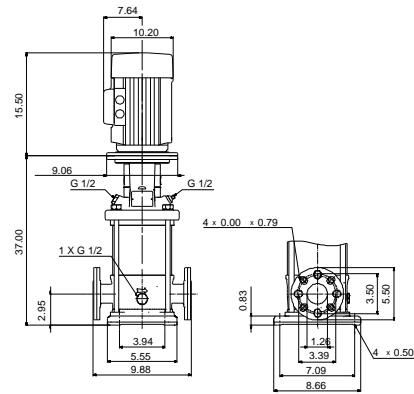
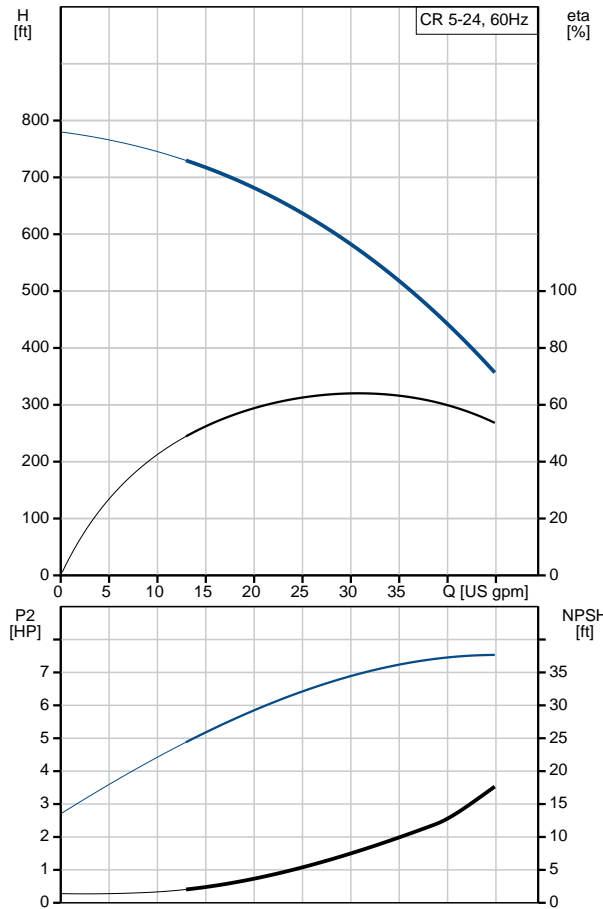
6/25/2019

Count	Description
	Size of inlet connection: DN 25/32
	Size of suction port: 1 1/4 inch
	Size of outlet connection: DN 25/32
	Size of outlet port: 1 1/4 inch
	Pressure rating for pipe connection: PN 25
	Flange rating inlet: 250 lb
	Flange size for motor: 213TC
	Electrical data:
	Motor standard: NEMA
	Motor type: Baldor
	Rated power - P2: 7.5 HP
	Power (P2) required by pump: 7.5 HP
	Main frequency: 60 Hz
	Rated voltage: 1 x 208-230 V
	Service factor: 1.15
	Rated current: 33.8-31.0 A
	Rated speed: 3450 rpm
	Number of poles: 2
	Insulation class (IEC 85): F
	Motor Number: 85700017
	Others:
	Net weight: 192 lb
	Gross weight: 304 lb
	Shipping volume: 12.9 ft ³
	Country of origin: US
	Custom tariff no.: 8413.70.2040

96084381 CR 5-24 A-FGJ-A-V-HQQV 60 Hz



Description	Value
General information:	
Product name:	CR 5-24 A-FGJ-A-V-HQQV
Product No.:	96084381
EAN:	5700395192193
Technical:	
Rated pump speed:	3508 rpm
Rated flow:	30.4 US gpm
Rated head:	583.7 ft
Head max:	774.6 ft
Stages:	24
Impellers:	24
Number of reduced-diameter impellers:	0
Low NPSH:	N
Pump orientation:	Vertical
Shaft seal arrangement:	Single
Code for shaft seal:	HQQV
Approvals on nameplate:	CURUS
Curve tolerance:	ISO9906:2012 3B
Pump version:	A
Model:	A
Cooling:	TEFC
Materials:	
Base:	Cast iron EN 1561 EN-GJL-200 ASTM A48-25B
Impeller:	Stainless steel EN 1.4301 AISI 304
Material code:	A
Code for rubber:	V
Bearing:	SIC
Installation:	
Maximum ambient temperature:	104 °F
Maximum operating pressure:	362.59 psi
Max pressure at stated temperature:	363 psi / 194 °F 363 psi / -4 °F
Type of connection:	DIN / ANSI / JIS
Size of inlet connection:	DN 25/32
Size of suction port:	1 1/4 inch
Size of outlet connection:	DN 25/32
Size of outlet port:	1 1/4 inch
Pressure rating for pipe connection:	PN 25
Flange rating inlet:	250 lb
Flange size for motor:	213TC
Connect code:	FGJ
Liquid:	
Pumped liquid:	Water
Liquid temperature range:	-4 .. 194 °F
Selected liquid temperature:	68 °F
Density:	62.29 lb/ft³
Electrical data:	
Motor standard:	NEMA
Motor type:	Baldor
Rated power - P2:	7.5 HP
Power (P2) required by pump:	7.5 HP
Main frequency:	60 Hz
Rated voltage:	1 x 208-230 V





Company name:

Created by:

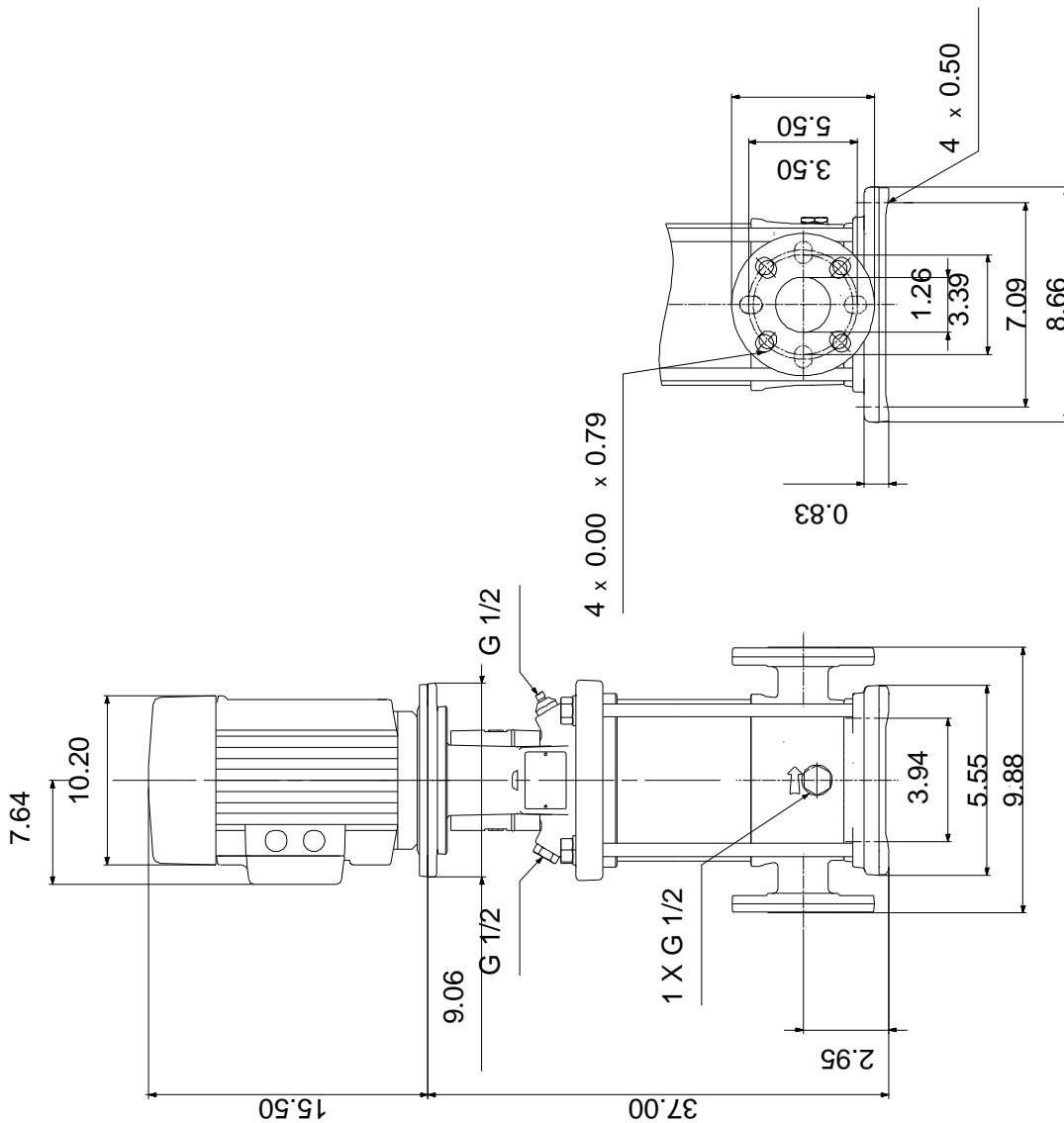
Phone:

Date:

6/25/2019

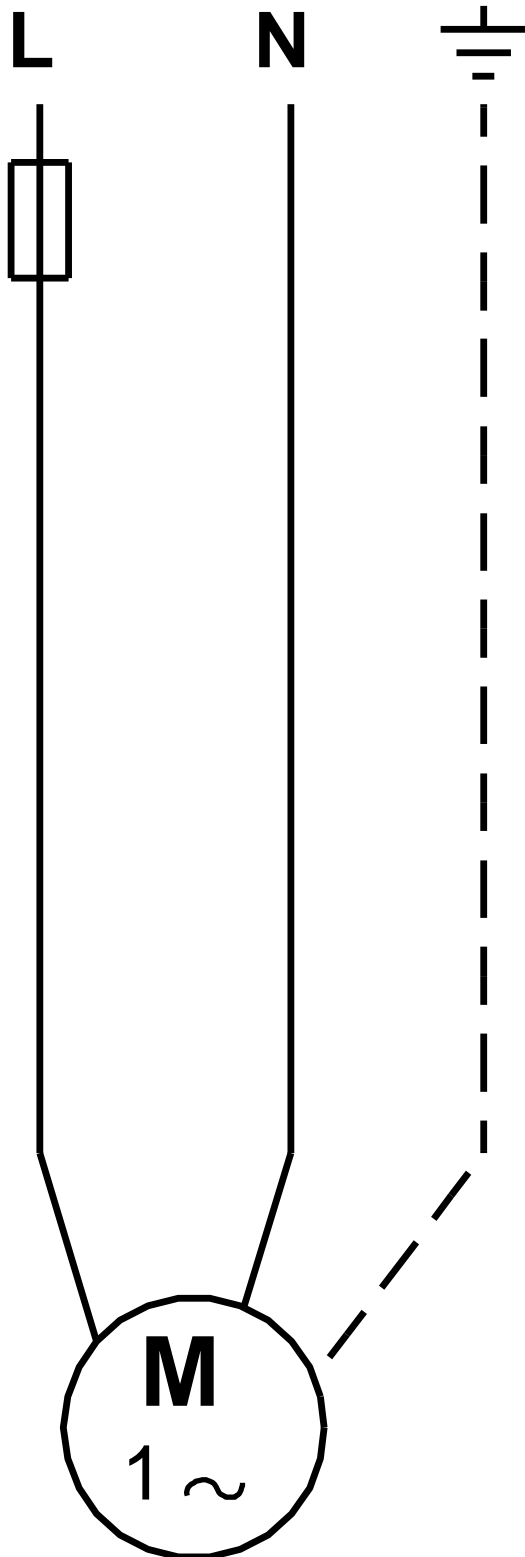
Description	Value
Service factor:	1.15
Rated current:	33.8-31.0 A
Load current:	39.3-35.5 A
Rated speed:	3450 rpm
Number of poles:	2
Insulation class (IEC 85):	F
Motor protection:	NONE
Motor Number:	85700017
Controls:	
Frequency converter:	NONE
Others:	
Net weight:	192 lb
Gross weight:	304 lb
Shipping volume:	12.9 ft ³
Country of origin:	US
Custom tariff no.:	8413.70.2040

96084381 CR 5-24 A-FGJ-A-V-HQQV 60 Hz



Note! All units are in [in] unless otherwise stated.
Disclaimer: This simplified dimensional drawing does not show all details.

96084381 CR 5-24 A-FGJ-A-V-HQQV 60 Hz



All units are [in] unless otherwise presented.