

| | | |
|-----------------------|------------------------|-----------------|
| PROJECT: _____ | UNIT TAG: _____ | QUANTITY: _____ |
| REPRESENTATIVE: _____ | TYPE OF SERVICE: _____ | DATE: _____ |
| ENGINEER: _____ | SUBMITTED BY: _____ | DATE: _____ |
| CONTRACTOR: _____ | APPROVED BY: _____ | DATE: _____ |
| | ORDER NO.: _____ | DATE: _____ |

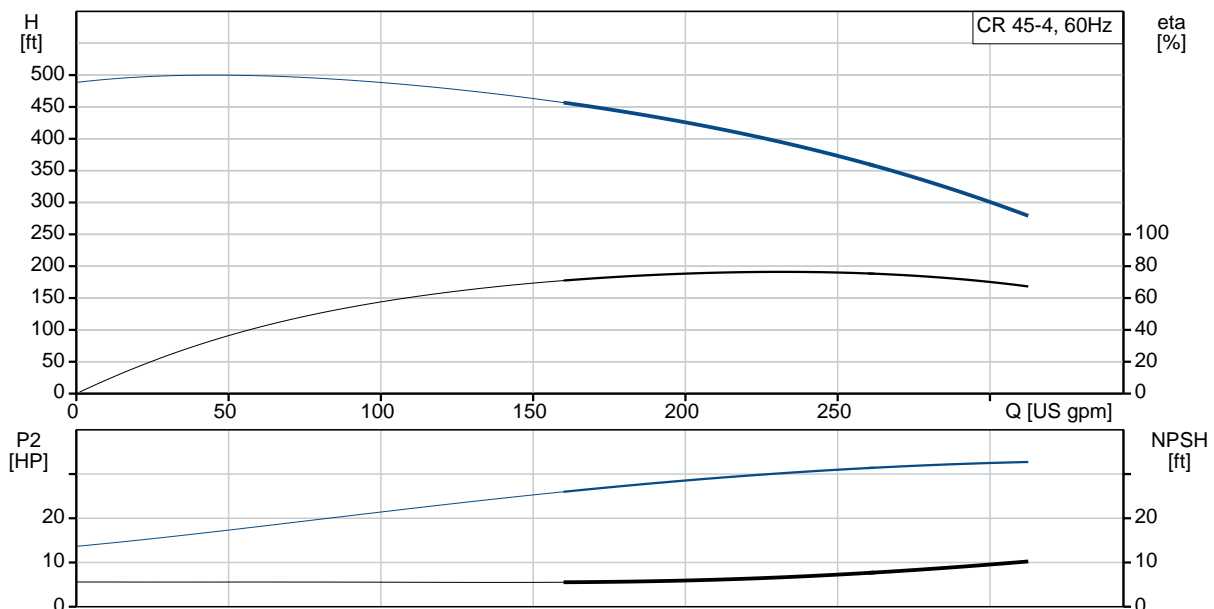


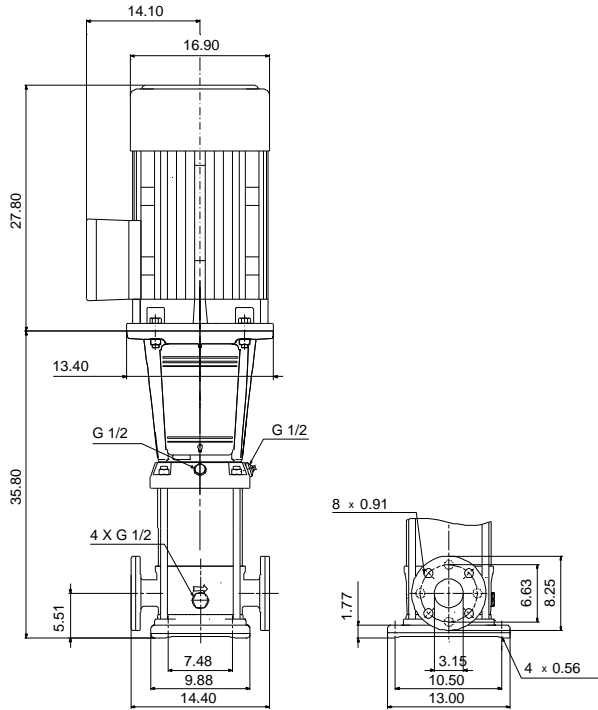
CR 45-4 K-G-A-E-HQQE

Vertical, multistage centrifugal pump with suction and discharge ports on the same level. The pump head and base are in cast iron. All other wetted parts are in stainless steel (EN 1.4301) (AISI 304)

Product photo could vary from the actual product

| Conditions of Service | Pump Data | Motor Data |
|-------------------------|--|------------------------------------|
| Flow: _____ | Max pressure at stated temperature: 435 psi / 250 °F | Rated power - P2: 40 HP |
| Head: _____ | Liquid temperature range: -22 .. 248 °F | Rated voltage: 230/460 V |
| Efficiency: _____ | Maximum ambient temperature: 122 °F | Main frequency: 60 Hz |
| Liquid: Water | Approvals: CURUS | Enclosure class: 54 Dust/Splashing |
| Temperature: 68 °F | Shaft seal: HQQE | Insulation class: F |
| NPSH required: ft | Product number: 99147151 | Motor protection: NONE |
| Viscosity: _____ | | Motor type: Baldor |
| Specific Gravity: 1.000 | | |





Materials:

Base: Cast iron
 EN 1563 EN-GJS-500-7
 ASTM A536 80-55-06

Impeller: Stainless steel
 AISI 304
 EN 1.4301

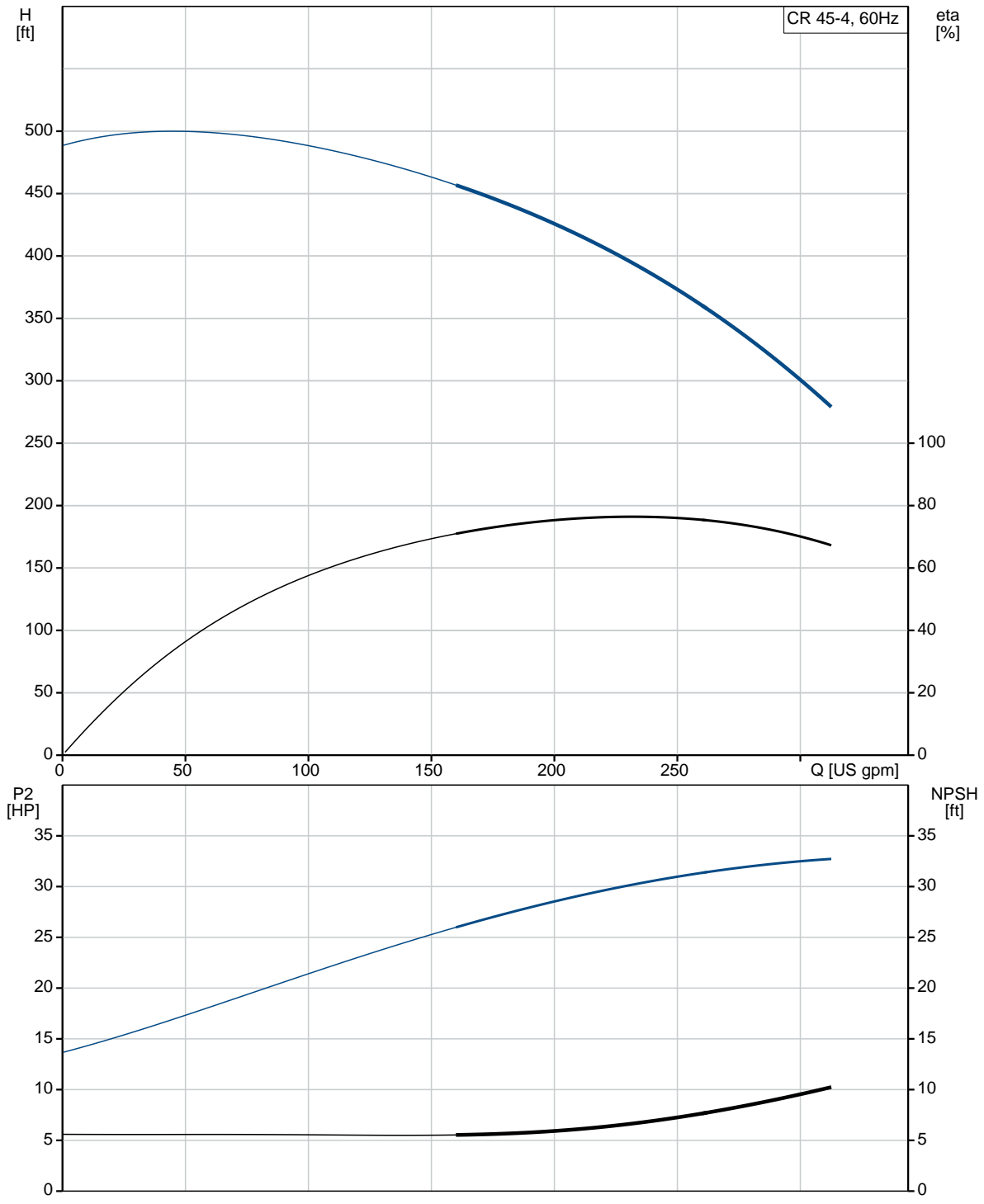
Material code: A
 Code for rubber: E



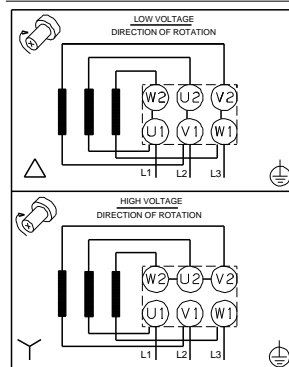
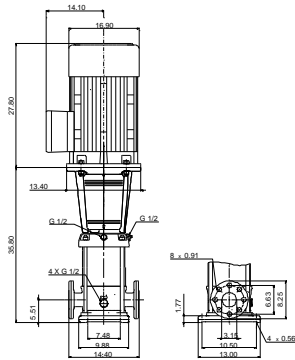
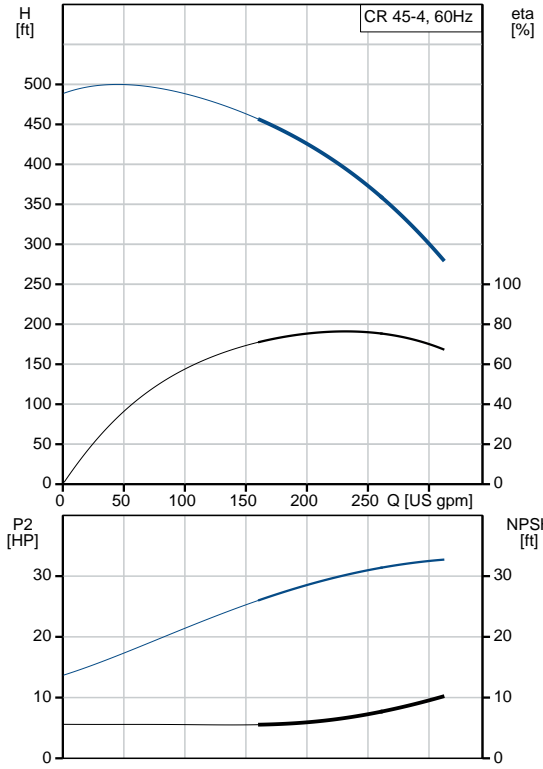
Company name:
Created by:
Phone:

Date: 6/18/2019

99147151 CR 45-4 K-G-A-E-HQQE 60 Hz



| Description | Value |
|---------------------------------------|--|
| General information: | |
| Product name: | CR 45-4 K-G-A-E-HQQE |
| Product No.: | 99147151 |
| EAN: | 5712607625917 |
| Technical: | |
| Rated pump speed: | 3541 rpm |
| Rated flow: | 238 US gpm |
| Rated head: | 385.8 ft |
| Head max: | 489.9 ft |
| Stages: | 4 |
| Impellers: | 4 |
| Number of reduced-diameter impellers: | 0 |
| Low NPSH: | Y |
| Pump orientation: | Vertical |
| Shaft seal arrangement: | Single |
| Code for shaft seal: | HQQE |
| Approvals on nameplate: | CURUS |
| Curve tolerance: | ISO9906:2012 3B |
| Pump version: | K |
| Model: | B |
| Cooling: | TEFC |
| Materials: | |
| Base: | Cast iron EN 1563 EN-GJS-500-7 |
| | ASTM A536 80-55-06 |
| Impeller: | Stainless steel EN 1.4301 AISI 304 |
| Material code: | A |
| Code for rubber: | E |
| Bearing: | SIC |
| Support bearing: | Graflon |
| Installation: | |
| Maximum ambient temperature: | 122 °F |
| Maximum operating pressure: | 435.11 psi |
| Max pressure at stated temperature: | 435 psi / 250 °F |
| | 435 psi / -22 °F |
| Type of connection: | ANSI |
| Size of suction port: | 3 inch |
| Size of outlet port: | 3 inch |
| Pressure rating for pipe connection: | PN 40 |
| Flange rating inlet: | 300 lb |
| Flange size for motor: | 324TC |
| Connect code: | G |
| Liquid: | |





Company name:

Created by:

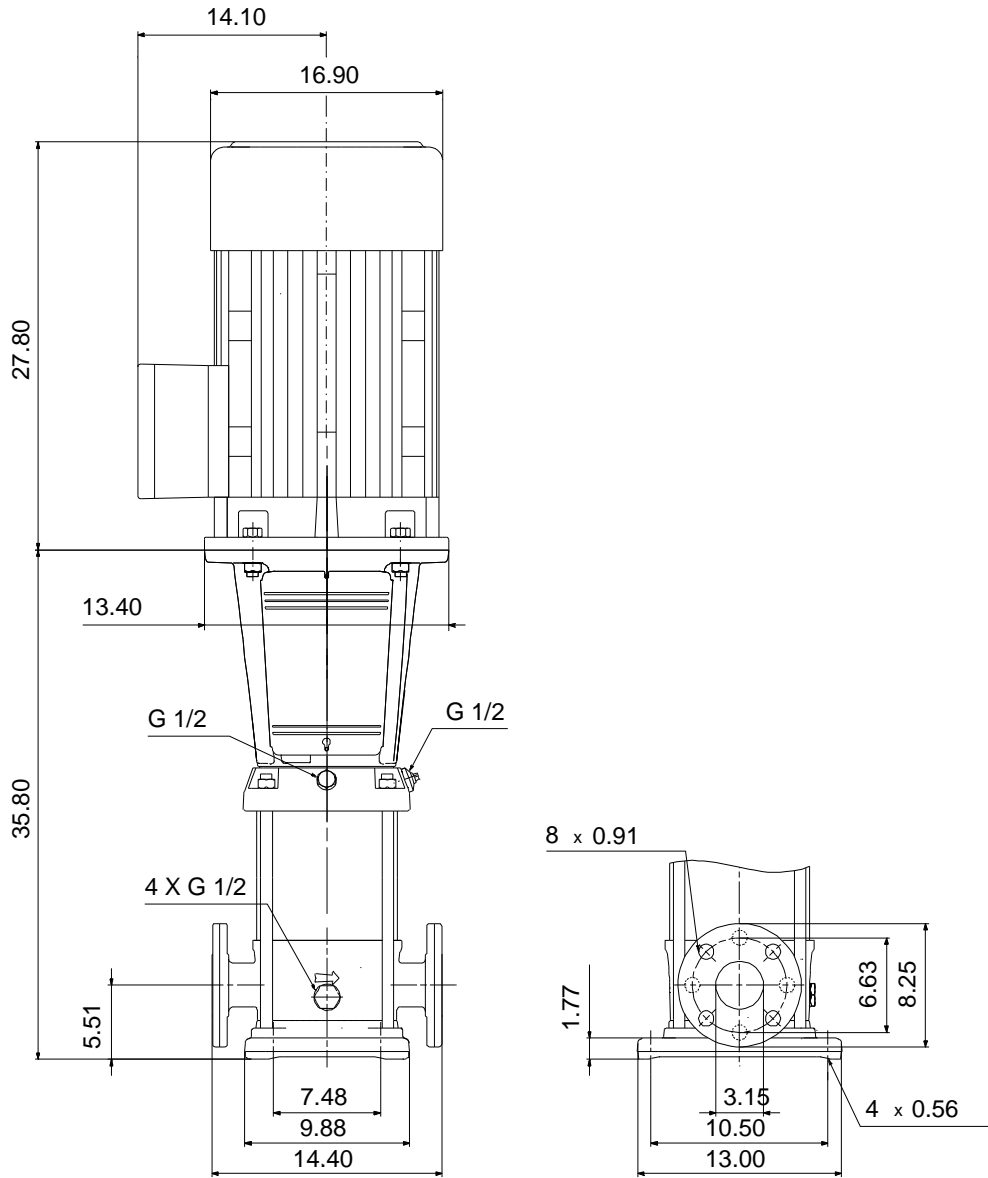
Phone:

Date:

6/18/2019

| Description | Value |
|------------------------------|----------------------------|
| Pumped liquid: | Water |
| Liquid temperature range: | -22 .. 248 °F |
| Selected liquid temperature: | 68 °F |
| Density: | 62.29 lb/ft ³ |
| Electrical data: | |
| Motor standard: | NEMA |
| Motor type: | Baldor |
| IE Efficiency class: | NEMA Premium / IE3 60Hz |
| Rated power - P2: | 40 HP |
| Power (P2) required by pump: | 40 HP |
| Main frequency: | 60 Hz |
| Rated voltage: | 3 x 230/460 V |
| Service factor: | 1.15 |
| Rated current: | 90/45 A |
| Load current: | 102/51 A |
| Cos phi - power factor: | 0.86 |
| Rated speed: | 3540 rpm |
| IE efficiency: | IE3 93,6% |
| Number of poles: | 2 |
| Enclosure class (IEC 34-5): | 54 Dust/Splashing |
| Insulation class (IEC 85): | F |
| Motor protection: | NONE |
| Motor Number: | 84Z03092 |
| Controls: | |
| Frequency converter: | NONE |
| Others: | |
| Net weight: | 1260 lb |
| Gross weight: | 1280 lb |
| Shipping volume: | 39.9 ft ³ |

99147151 CR 45-4 K-G-A-E-HQQE 60 Hz



Note! All units are in [in] unless otherwise stated.
Disclaimer: This simplified dimensional drawing does not show all details.

99147151 CR 45-4 K-G-A-E-HQQE 60 Hz

