

PROJECT: _____	UNIT TAG: _____	QUANTITY: _____
REPRESENTATIVE: _____	TYPE OF SERVICE: _____	DATE: _____
ENGINEER: _____	SUBMITTED BY: _____	DATE: _____
CONTRACTOR: _____	APPROVED BY: _____	DATE: _____
	ORDER NO.: _____	DATE: _____

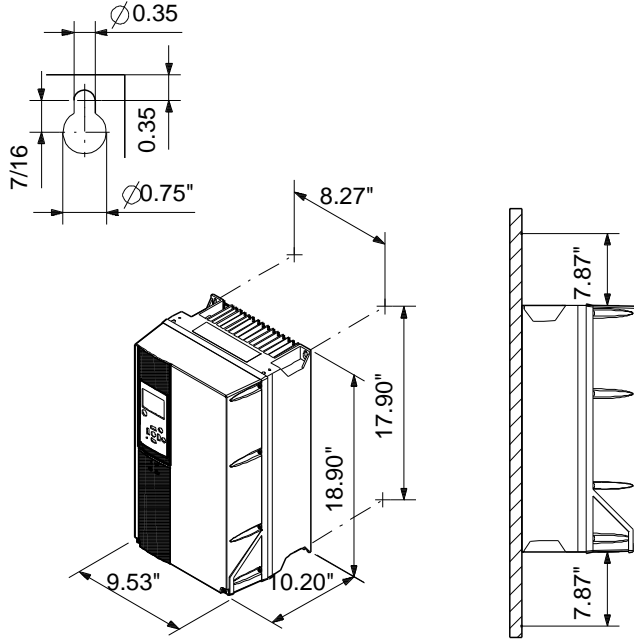
**CUE 3X380-500V IP55 11KW 24A/2**


CUE



Product photo could vary from the actual product

Conditions of Service	Pump Data	Motor Data
Flow: _____	Maximum ambient temperature: 113 °F	Rated voltage: 380 - 440 / 441 - 500 V
Head: _____	Approvals: CE, CULUS, C-TICK	Main frequency: 60 Hz
Efficiency: _____	Product number: On request	Enclosure class: IP55
Liquid: _____		Motor protection: YES
Temperature: _____		Thermal protection: external
NPSH required: _____		
Viscosity: _____		
Specific Gravity: _____		



Count	Description
1	<p data-bbox="298 415 699 443"><b>CUE 3X380-500V IP55 11KW 24A/2</b></p> <div data-bbox="412 506 574 806"></div> <p data-bbox="686 842 1138 869">Product photo could vary from the actual product</p> <p data-bbox="298 875 574 903">Product No.: On request</p> <p data-bbox="298 934 1404 1035">CUE is a complete range of external frequency converters designed for speed control of a wide range of Grundfos pumps. CUE has a built-in PI controller and offers the same functionality and user-interface as Grundfos E-pumps. CUE solutions can thus be seen as an extension to the E-pump range.</p> <p data-bbox="298 1050 984 1077">By choosing a CUE-solution, you will get the following benefits:</p> <ul data-bbox="337 1079 1300 1253" style="list-style-type: none"><li>- Grundfos E-pump functionality and user-interface</li><li>- application- and pump-family-related functions</li><li>- increased comfort compared to fixed-speed pumps</li><li>- very easy installation and commissioning compared to standard frequency converters</li><li>- speed control of pumps up to 250 kW</li><li>- speed control of pumps installed in potentially explosive environments.</li></ul> <p data-bbox="298 1283 764 1310">CUE offers the following inputs and output:</p> <ul data-bbox="337 1312 1130 1459" style="list-style-type: none"><li>- RS-485 GENibus</li><li>- an analog 0-10 V input for external setpoint</li><li>- an analog 0/4-20 mA input for sensor</li><li>- four digital inputs for various functions, for instance external start/stop</li><li>- two signal relays (C/NO/NC).</li></ul> <p data-bbox="298 1493 440 1520">Accessories:</p> <p data-bbox="298 1522 583 1549">Input/output add-on board</p> <p data-bbox="298 1551 574 1579">Provides additional input:</p> <ul data-bbox="337 1581 1300 1669" style="list-style-type: none"><li>- one 0/4-20 mA analog input for an additional sensor</li><li>- one 0-20 mA analog output</li><li>- two inputs for Pt100/Pt1000 temperature sensors, for instance for bearing monitoring.</li></ul> <p data-bbox="298 1703 435 1730">Motor filters:</p> <p data-bbox="298 1732 1404 1785">For reduction of dU/dt and peak voltages to the motor windings and for reduction of the acoustic noise generated in the motor, a number of motor filters are offered:</p> <ul data-bbox="337 1787 711 1843" style="list-style-type: none"><li>- dU/dt filters , 11-250 kW</li><li>- Sine wave filters, 0.55-250 kW.</li></ul>



Company name:

Created by:

Phone:

Date:

5/27/2020

Count	Description
	<p><b>Technical:</b> Approvals on nameplate: CE, CULUS, C-TICK</p> <p><b>Installation:</b> Range of ambient temperature: 32 .. 113 °F Relative humidity: 5-95 %</p> <p><b>Electrical data:</b> Rated power - P2: 15 HP Main frequency: 60 Hz Rated voltage: 3 x 380 - 440 / 441 - 500 V Rated current: 24-21 A Maximum current consumption: 24 A Efficiency at full load: 98 % Enclosure class (IEC 34-5): IP55</p> <p><b>Others:</b> Net weight: 50.7 lb Finnish LVI No.: 9414009 Country of origin: DK Custom tariff no.: 8504.40.4000</p>



Company name:

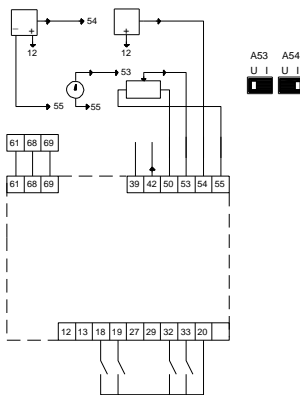
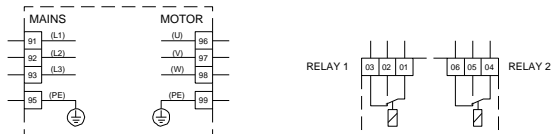
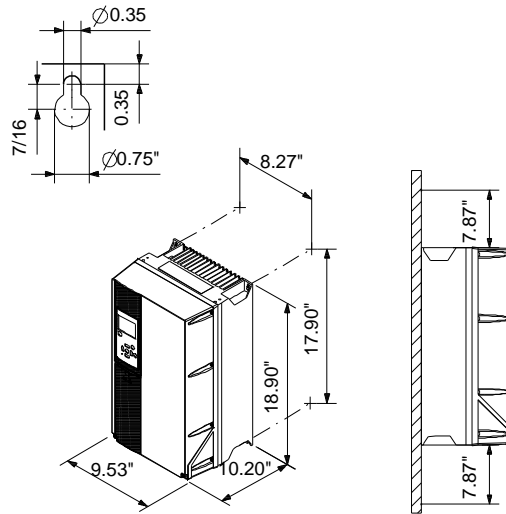
Created by:

Phone:

Date:

5/27/2020

Description	Value
<b>General information:</b>	
Product name:	CUE 3X380-500V IP55 11KW 24A/2
Product No.:	On request
EAN:	On request
<b>Technical:</b>	
Approvals on nameplate:	CE, CULUS, C-TICK
<b>Installation:</b>	
Range of ambient temperature:	32 .. 113 °F
Relative humidity:	5-95 %
Mounted on:	Wall
<b>Electrical data:</b>	
Rated power - P2:	15 HP
Main frequency:	60 Hz
Rated voltage:	3 x 380 - 440 / 441 - 500 V
Rated current:	24-21 A
Maximum current consumption:	24 A
Efficiency at full load:	98 %
Enclosure class (IEC 34-5):	IP55
Motor protection:	YES
Thermal protec:	external
Cable length:	150/300 m
<b>Others:</b>	
Net weight:	50.7 lb
Finnish LVI No.:	9414009
Country of origin:	DK
Custom tariff no.:	8504.40.4000

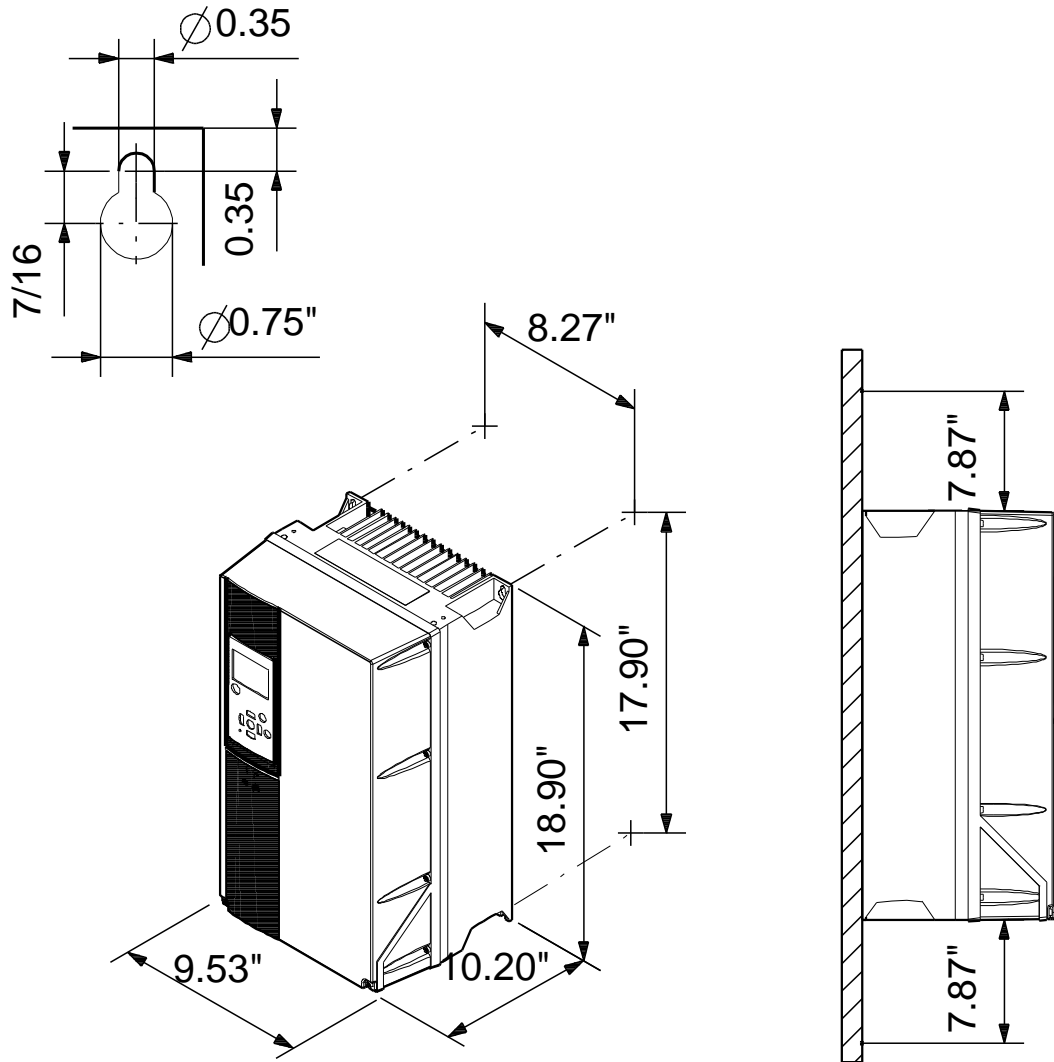




Company name:  
Created by:  
Phone:

Date: 5/27/2020

**On request CUE 3X380-500V IP55 11KW 24A/2 60 Hz**



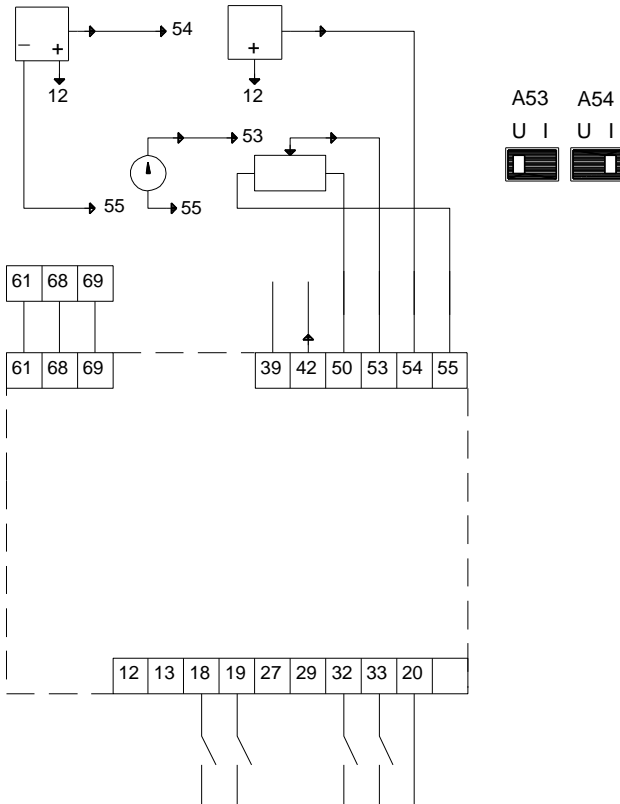
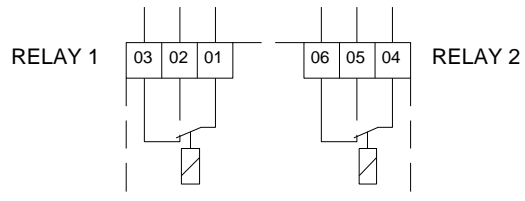
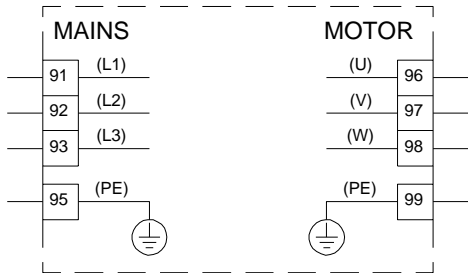
Note! All units are in [in] unless otherwise stated.  
Disclaimer: This simplified dimensional drawing does not show all details.



Company name:  
Created by:  
Phone:

Date: 5/27/2020

**On request CUE 3X380-500V IP55 11KW 24A/2 60 Hz**



All units are [in] unless otherwise presented.