

|                       |                        |                 |
|-----------------------|------------------------|-----------------|
| PROJECT: _____        | UNIT TAG: _____        | QUANTITY: _____ |
| REPRESENTATIVE: _____ | TYPE OF SERVICE: _____ | DATE: _____     |
| ENGINEER: _____       | SUBMITTED BY: _____    | DATE: _____     |
| CONTRACTOR: _____     | APPROVED BY: _____     | DATE: _____     |
|                       | ORDER NO.: _____       | DATE: _____     |

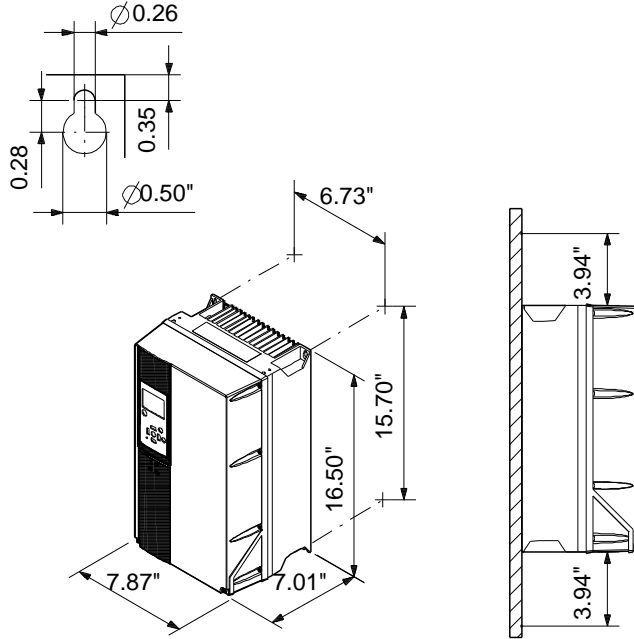
**CUE3X380-500V IP55 0,75KW DC**


CUE



Product photo could vary from the actual product

| Conditions of Service   | Pump Data                           | Motor Data                             |
|-------------------------|-------------------------------------|--|
| Flow: _____             | Maximum ambient temperature: 113 °F | Rated voltage: 380 - 440 / 441 - 500 V |
| Head: _____             | Approvals: CE, CULUS, C-TICK        | Main frequency: 50 / 60 Hz             |
| Efficiency: _____       | Product number: 99660292            | Enclosure class: IP55                  |
| Liquid: _____           |                                     | Motor protection: YES                  |
| Temperature: _____      |                                     | Thermal protection: external           |
| NPSH required: _____    |                                     |  |
| Viscosity: _____        |                                     |  |
| Specific Gravity: _____ |                                     |  |



| Count | Description  |
|-------|--|
| 1     | <p data-bbox="298 415 683 443"><b>CUE3X380-500V IP55 0,75KW DC</b></p>  <p data-bbox="686 798 1138 821">Product photo could vary from the actual product</p> <p data-bbox="298 829 561 852">Product No.: <a href="#">99660292</a></p> <p data-bbox="298 888 1398 989">CUE is a complete range of external frequency converters designed for speed control of a wide range of Grundfos pumps. CUE has a built-in PI controller and offers the same functionality and user-interface as Grundfos E-pumps. CUE solutions can thus be seen as an extension to the E-pump range.</p> <p data-bbox="298 1001 984 1024">By choosing a CUE-solution, you will get the following benefits:</p> <ul data-bbox="337 1031 1300 1205" style="list-style-type: none"><li>- Grundfos E-pump functionality and user-interface</li><li>- application- and pump-family-related functions</li><li>- increased comfort compared to fixed-speed pumps</li><li>- very easy installation and commissioning compared to standard frequency converters</li><li>- speed control of pumps up to 250 kW</li><li>- speed control of pumps installed in potentially explosive environments.</li></ul> <p data-bbox="298 1239 764 1262">CUE offers the following inputs and output:</p> <ul data-bbox="337 1268 1130 1413" style="list-style-type: none"><li>- RS-485 GENibus</li><li>- an analog 0-10 V input for external setpoint</li><li>- an analog 0/4-20 mA input for sensor</li><li>- four digital inputs for various functions, for instance external start/stop</li><li>- two signal relays (C/NO/NC).</li></ul> <p data-bbox="298 1446 440 1470">Accessories:</p> <p data-bbox="298 1476 581 1499">Input/output add-on board</p> <p data-bbox="298 1505 574 1528">Provides additional input:</p> <ul data-bbox="337 1535 1300 1623" style="list-style-type: none"><li>- one 0/4-20 mA analog input for an additional sensor</li><li>- one 0-20 mA analog output</li><li>- two inputs for Pt100/Pt1000 temperature sensors, for instance for bearing monitoring.</li></ul> <p data-bbox="298 1656 435 1680">Motor filters:</p> <p data-bbox="298 1686 1398 1734">For reduction of dU/dt and peak voltages to the motor windings and for reduction of the acoustic noise generated in the motor, a number of motor filters are offered:</p> <ul data-bbox="337 1740 711 1797" style="list-style-type: none"><li>- dU/dt filters , 11-250 kW</li><li>- Sine wave filters, 0.55-250 kW.</li></ul> <p data-bbox="298 1831 418 1854"><b>Technical:</b></p> <p data-bbox="298 1860 886 1883">Approvals on nameplate: CE, CULUS, C-TICK</p> |



Company name:

Created by:

Phone:

Date:

5/27/2020

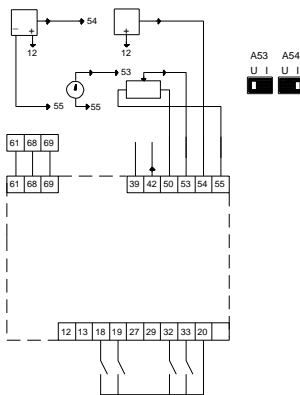
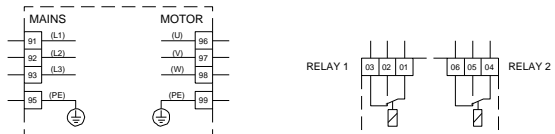
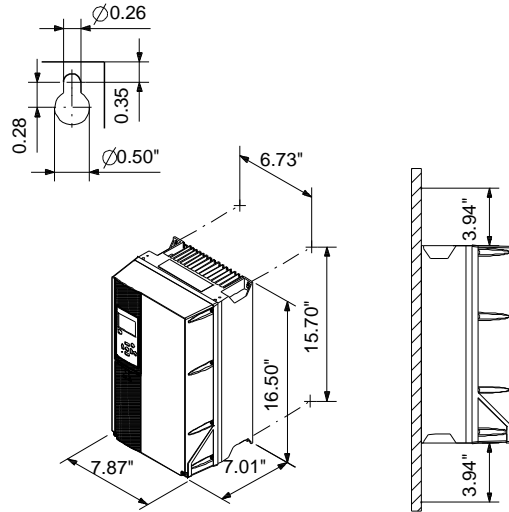
| Count | Description   |
|-------|---|
|       | <p data-bbox="298 415 440 443"><b>Installation:</b></p> <p data-bbox="298 445 786 472">Range of ambient temperature: 32 .. 113 °F</p> <p data-bbox="298 474 737 501">Relative humidity: 5-95 %</p> <p data-bbox="298 533 477 560"><b>Electrical data:</b></p> <p data-bbox="298 562 712 590">Rated power - P2: 1 HP</p> <p data-bbox="298 592 773 619">Main frequency: 50 / 60 Hz</p> <p data-bbox="298 621 948 648">Rated voltage: 3 x 380 - 440 / 441 - 500 V</p> <p data-bbox="298 651 760 678">Rated current: 2.4-2.1 A</p> <p data-bbox="298 680 716 707">Maximum current consumption: 2.4 A</p> <p data-bbox="298 709 716 737">Efficiency at full load: 96 %</p> <p data-bbox="298 739 711 766">Enclosure class (IEC 34-5): IP55</p> <p data-bbox="298 798 386 825"><b>Others:</b></p> <p data-bbox="298 827 732 854">Net weight: 20.3 lb</p> |



Company name:  
Created by:  
Phone:

Date: 5/27/2020

| Description                   | Value                           |
|-------------------------------|---------------------------------|
| <b>General information:</b>   |                                 |
| Product name:                 | CUE3X380-500V IP55<br>0,75KW DC |
| Product No.:                  | 99660292                        |
| EAN:                          | 5713832589302<br>5713832589302  |
| <b>Technical:</b>             |                                 |
| Approvals on nameplate:       | CE, CULUS, C-TICK               |
| <b>Installation:</b>          |                                 |
| Range of ambient temperature: | 32 .. 113 °F                    |
| Relative humidity:            | 5-95 %                          |
| Mounted on:                   | Wall                            |
| <b>Electrical data:</b>       |                                 |
| Rated power - P2:             | 1 HP                            |
| Main frequency:               | 50 / 60 Hz                      |
| Rated voltage:                | 3 x 380 - 440 / 441 - 500 V     |
| Rated current:                | 2.4-2.1 A                       |
| Maximum current consumption:  | 2.4 A                           |
| Efficiency at full load:      | 96 %                            |
| Enclosure class (IEC 34-5):   | IP55                            |
| Motor protection:             | YES                             |
| Thermal protec:               | external                        |
| Cable length:                 | 150/300 m                       |
| <b>Others:</b>                |                                 |
| Net weight:                   | 20.3 lb                         |

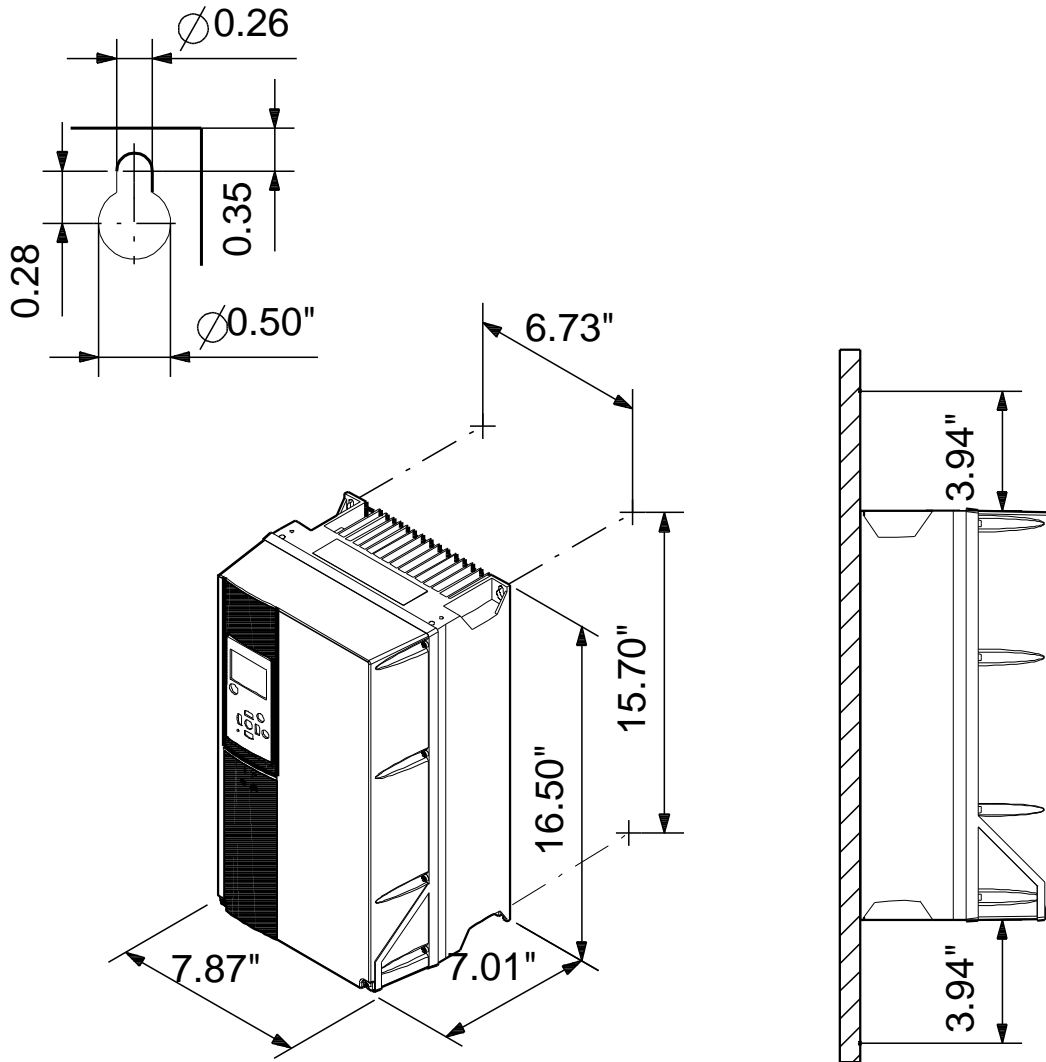




Company name:  
Created by:  
Phone:

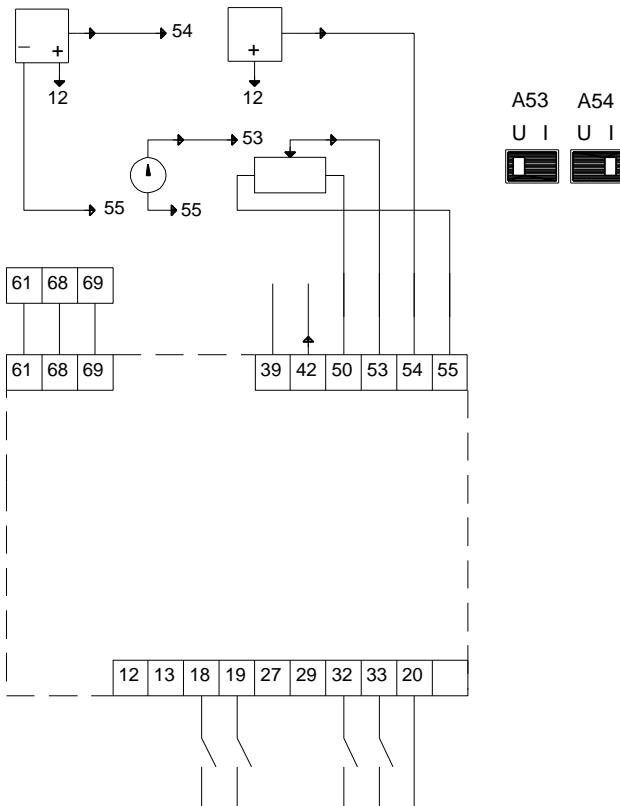
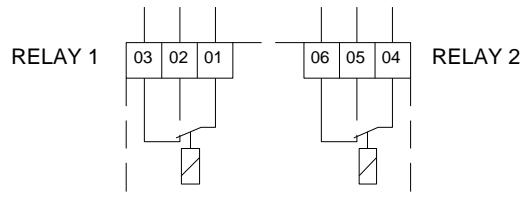
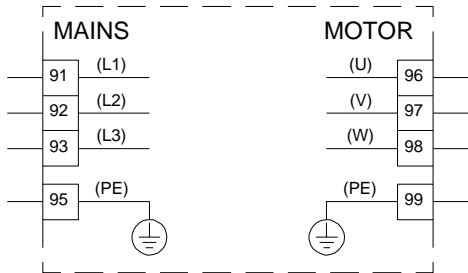
Date: 5/27/2020

### 99660292 CUE3X380-500V IP55 0,75KW DC



Note! All units are in [in] unless otherwise stated.  
Disclaimer: This simplified dimensional drawing does not show all details.

## 99660292 CUE3X380-500V IP55 0,75KW DC



All units are [in] unless otherwise presented.