

Count	Description
-------	-------------

1

BALDOR 324TSC



Product photo could vary from the actual product

Product No.: [84Z03092](#)

The motor is a 3-phase AC standard motor.

Installation:

Maximum ambient temperature: 122 °F

Flange size for motor: 324TSC

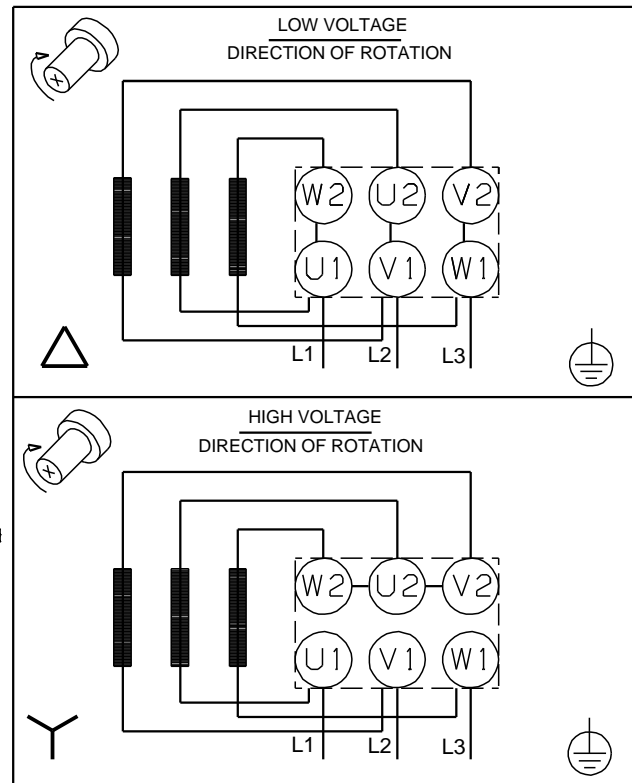
Electrical data:

Motor type: Baldor
 IE Efficiency class: NEMA Premium / IE3 60Hz
 Rated power - P2: 40 HP
 Main frequency: 60 Hz
 Rated voltage: 3 x 230/460 V
 Service factor: 1.15
 Rated current: 90/45 A
 Cos phi - power factor: 0.86
 Rated speed: 3540 rpm
 Moment of inertia: 3.132 lb ft²
 IE efficiency: IE3 93,6%
 Number of poles: 2
 Enclosure class (IEC 34-5): 54 Dust/Splashing
 Insulation class (IEC 85): F

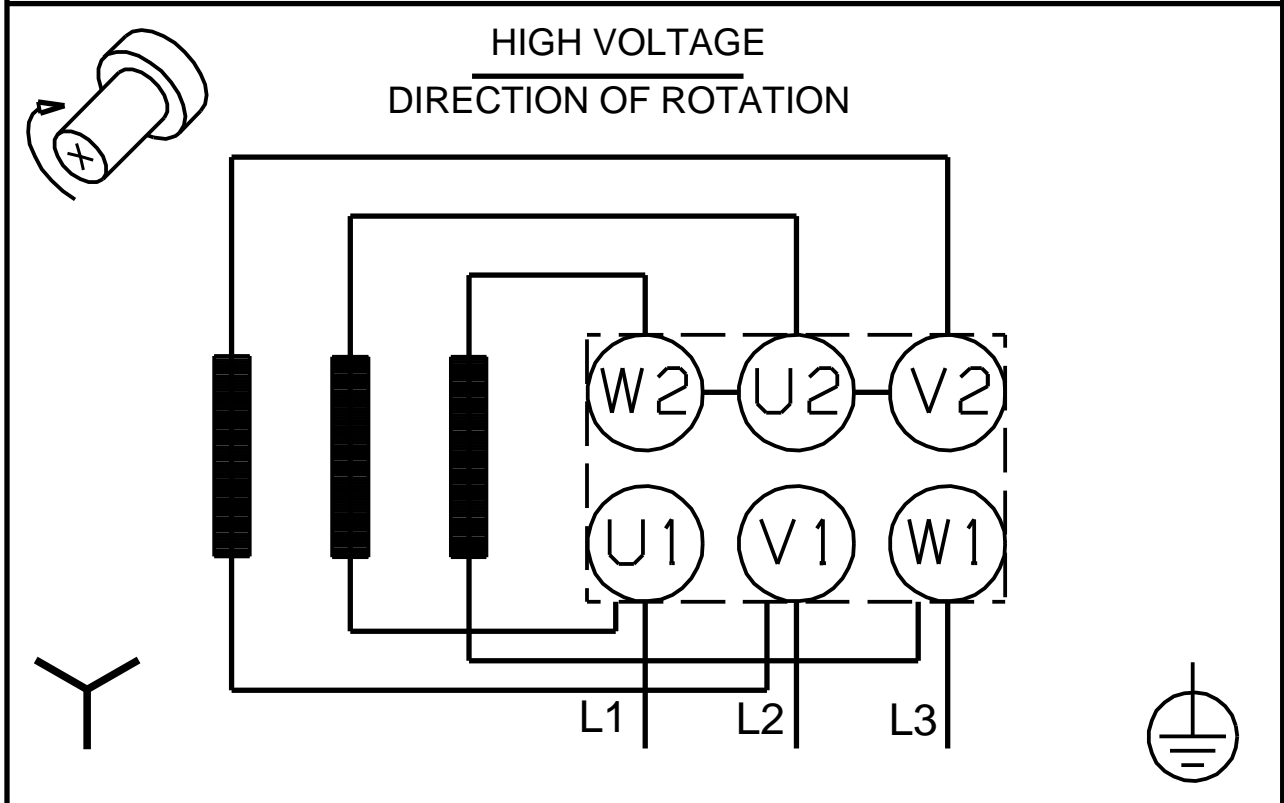
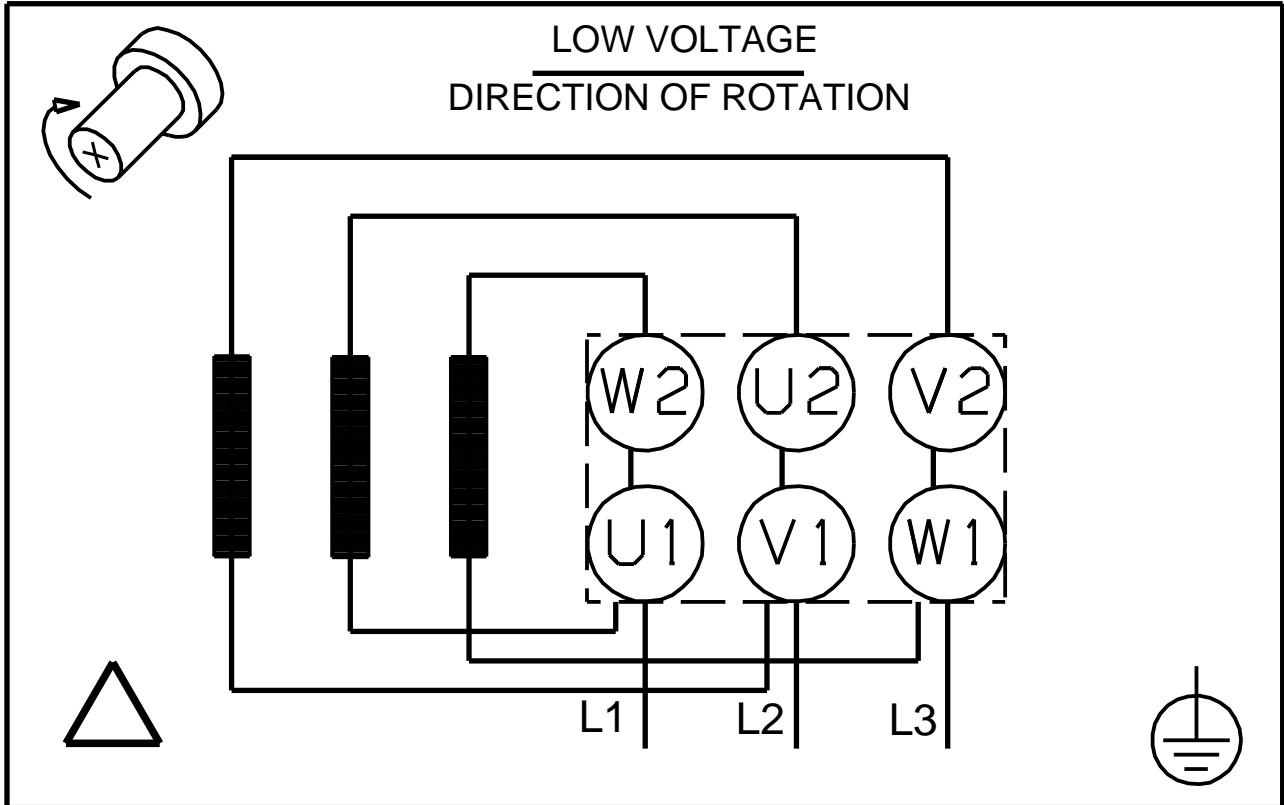
Others:

Net weight: 487 lb
 Color/Type: NCS 9000 gloss 40+-10

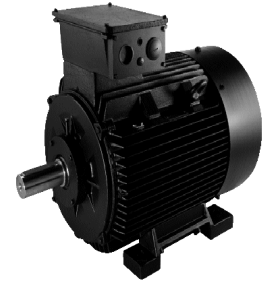
Description	Value
General information:	
Product name:	BALDOR 324TSC
Product No.:	84Z03092
EAN:	5700394564854
Technical:	
Shaft diameter:	1.87 in
Length of shaft end:	3.75 in
Cooling:	TEFC
Installation:	
Maximum ambient temperature:	122 °F
Flange size for motor:	324TSC
Electrical data:	
Motor type:	Baldor
IE Efficiency class:	NEMA Premium / IE3 60Hz
Rated power - P2:	40 HP
Main frequency:	60 Hz
Rated voltage:	3 x 230/460 V
Service factor:	1.15
Rated current:	90/45 A
Load current:	102/51 A
Cos phi - power factor:	0.86
Rated speed:	3540 rpm
Moment of inertia:	3.132 lb ft ²
IE efficiency:	IE3 93,6%
Number of poles:	2
Enclosure class (IEC 34-5):	54 Dust/Splashing
Insulation class (IEC 85):	F
Motor protection:	NONE
Tropic protec:	No
Thermal protec:	external
Mounting design per IEC 34-7:	NEMA type C
Others:	
Net weight:	487 lb
Color/Type:	NCS 9000 gloss 40+-10



84Z03092 BALDOR 324TSC 60 Hz



All units are [in] unless otherwise presented.



Ordering data

84Z03092 BALDOR 324TSC 60 Hz

Product No.: 84Z03092

Company name:

Date:

7/23/2019

Created by:

Phone:

Fax:

Project:

Client number:

Contact:

Reference number:

Electrical data:

Frequency	60 Hz
Rated motor voltage	230/460 V
Rated motor power	40 HP
Rated motor speed	3540 rpm
Rated motor torque	-
Wiring connection	-
Rated motor current	90/45 A
Max motor current	-
Efficiency class	NEMA Premium / IE3 60Hz
Full load Efficiency %	-
Power factor	0,86
Starting- / Rated motor current ^(50/60)	/
Breakdown- / Rated motor torque ^(50/60)	/ %
Starting- / Rated motor torque ^(50/60)	/

Mechanical data:

Noise measurements ^(50/60)	-	75 dB(A)
Moment of inertia	3.132 lb ft ²	
Drain holes	Yes (closed)	
Bearing DE	7312	
Bearing NDE	6311	
Bearing arrangement	NDE-locked	
Type of bearing DE	-	
Bearing seal DE	-	
Characteristic of grease DE	-	
Type of bearing NDE	-	
Bearing seal NDE	-	
Characteristic of grease NDE	-	
Regreasing device	No	
Type of lubrication	-	
Relubrication interval	-	
Quantity of grease for relubrication	-	
External grounding	-	
Color/type	NCS 9000 gloss 40+-10	

Explosion protection:

Type of protection	-
--------------------	---

Ambient conditions:

Ambient temperature	
Altitude above sea level	3280 ft
Approvals and specifications	IEC 60034

General data:

Frame size	Baldor
Type of construction	NEMA type C Flange size 324TSC
Weight, without optional accessories	487 lb
Frame material	-
Degree of protection	IP 54 Dust/Splashing
Method of cooling, TEFC	TEFC
Vibration class	
Insulation class	155(F) to 130(B)
Duty type	-
Direction of rotation	CW /

Terminal box:

Material of terminal box	-
Cable entry	-
Cable gland	-

Protection:

Built-in protection	-
---------------------	---