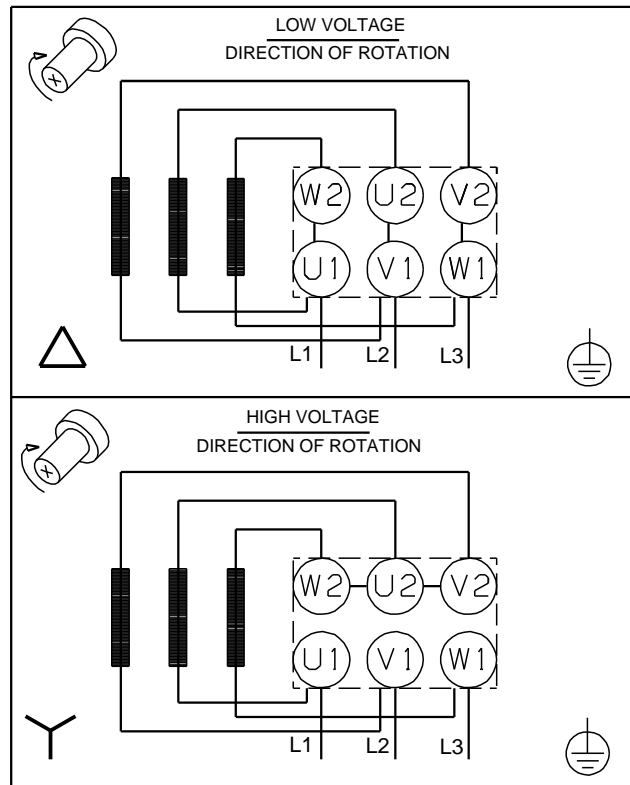
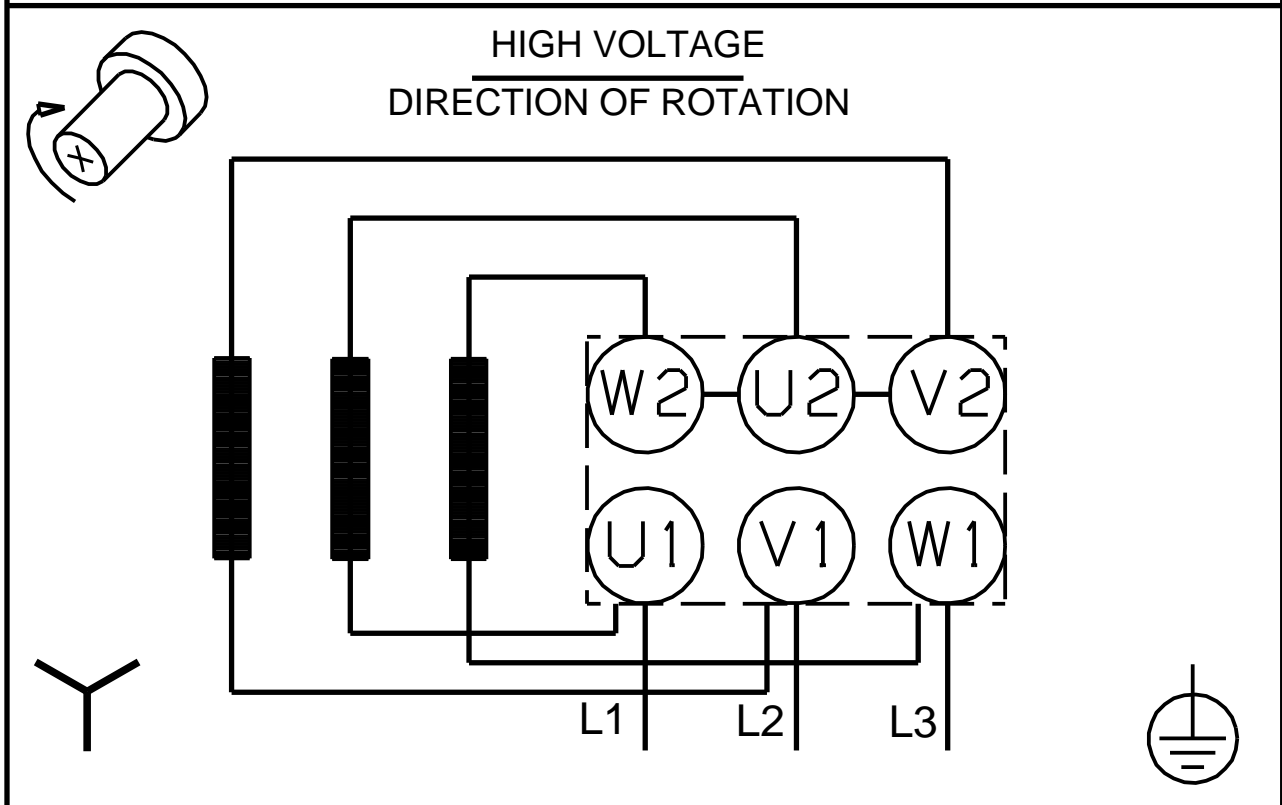
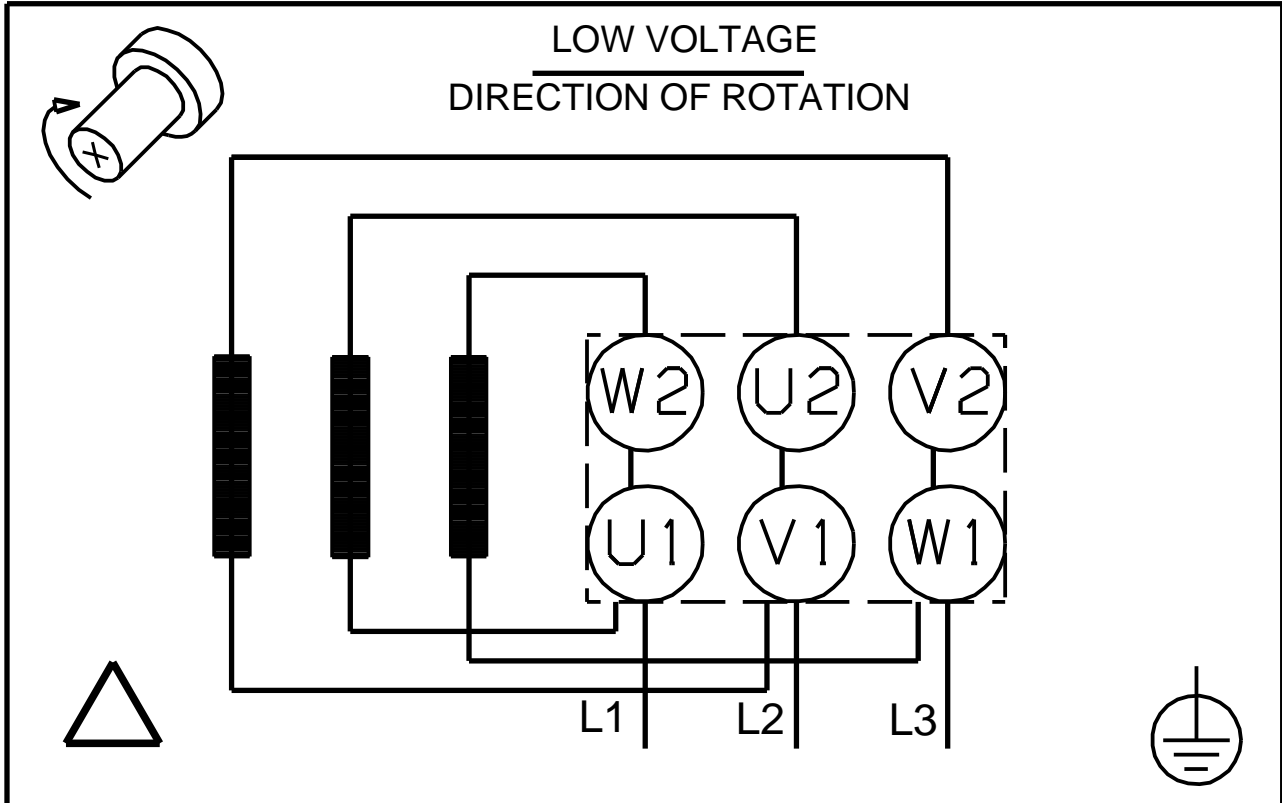


Count	Description
1	<p data-bbox="225 338 416 365"><b>BALDOR 254TC</b></p>  <p data-bbox="619 770 1072 797">Product photo could vary from the actual product</p> <p data-bbox="225 801 491 828">Product No.: <a href="#">84Z03971</a></p> <p data-bbox="225 831 703 857">The motor is a 3-phase AC standard motor.</p> <p data-bbox="225 891 368 918"><b>Installation:</b></p> <p data-bbox="225 920 727 947">Range of ambient temperature: -22 .. 104 °F</p> <p data-bbox="225 949 667 976">Flange size for motor: 254TC</p> <p data-bbox="225 1010 405 1037"><b>Electrical data:</b></p> <p data-bbox="225 1039 893 1366">Motor type: Baldor IE Efficiency class: NEMA Premium / IE3 60Hz Rated power - P2: 20 HP Main frequency: 60 Hz Rated voltage: 3 x 208-230/460 V Service factor: 1.15 Rated current: 48-44/22 A Rated speed: 3540 rpm Number of poles: 2 Enclosure class (IEC 34-5): 54 Dust/Splashing Insulation class (IEC 85): F</p> <p data-bbox="225 1400 320 1426"><b>Others:</b></p> <p data-bbox="225 1429 855 1485">Net weight: 302 lb Color/Type: NCS 9000 gloss 40+-10</p>

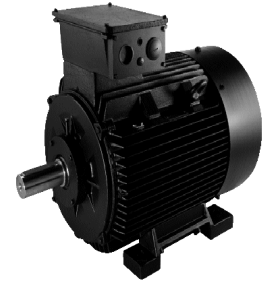
Description	Value
<b>General information:</b>	
Product name:	BALDOR 254TC
Product No.:	84Z03971
EAN:	5700398688938
<b>Technical:</b>	
Shaft diameter:	1.63 in
Length of shaft end:	3.75 in
Cooling:	TEFC
<b>Installation:</b>	
Range of ambient temperature:	-22 .. 104 °F
Flange size for motor:	254TC
<b>Electrical data:</b>	
Motor type:	Baldor
IE Efficiency class:	NEMA Premium / IE3 60Hz
Rated power - P2:	20 HP
Main frequency:	60 Hz
Rated voltage:	3 x 208-230/460 V
Service factor:	1.15
Rated current:	48-44/22 A
Load current:	56-50/25 A
Rated speed:	3540 rpm
Number of poles:	2
Enclosure class (IEC 34-5):	54 Dust/Splashing
Insulation class (IEC 85):	F
Motor protection:	NONE
Tropic protec:	No
Mounting design per IEC 34-7:	NEMA type C
<b>Others:</b>	
Net weight:	302 lb
Color/Type:	NCS 9000 gloss 40+-10



## 84Z03971 BALDOR 254TC 60 Hz



All units are [in] unless otherwise presented.



## Ordering data

**84Z03971 BALDOR 254TC 60 Hz**

**Product No.: 84Z03971**

Company name:

Date:

7/23/2019

Created by:

Phone:

Fax:

Project:

Client number:

Contact:

Reference number:

### Electrical data:

Frequency	60 Hz
Rated motor voltage	208-230/460 V
Rated motor power	20 HP
Rated motor speed	3540 rpm
Rated motor torque	-
Wiring connection	-
Rated motor current	48-44/22 A
Max motor current	-
Efficiency class	NEMA Premium / IE3 60Hz
Full load Efficiency %	-
Power factor	-
Starting- / Rated motor current <sup>(50/60)</sup>	/
Breakdown- / Rated motor torque <sup>(50/60)</sup>	/ %
Starting- / Rated motor torque <sup>(50/60)</sup>	/

### Mechanical data:

Noise measurements <sup>(50/60)</sup>	-
Moment of inertia	-
Drain holes	Yes (closed)
Bearing DE	7309
Bearing NDE	6208
Bearing arrangement	NDE-locked
Type of bearing DE	-
Bearing seal DE	-
Characteristic of grease DE	-
Type of bearing NDE	-
Bearing seal NDE	-
Characteristic of grease NDE	-
Regreasing device	No
Type of lubrication	-
Relubrication interval	-
Quantity of grease for relubrication	-
External grounding	-
Color/type	NCS 9000 gloss 40+-10

### Explosion protection:

Type of protection	-
--------------------	---

### Ambient conditions:

Ambient temperature	-22°F to 104°F
Altitude above sea level	3280 ft
Approvals and specifications	IEC 60034

### General data:

Frame size	Baldor
Type of construction	NEMA type C Flange size 254TC
Weight, without optional accessories	302 lb
Frame material	-
Degree of protection	IP 54 Dust/Splashing
Method of cooling, TEFC	TEFC
Vibration class	
Insulation class	155(F) to 130(B)
Duty type	-
Direction of rotation	CW /

### Terminal box:

Material of terminal box	-
Cable entry	-
Cable gland	-

### Protection:

Built-in protection	-
---------------------	---