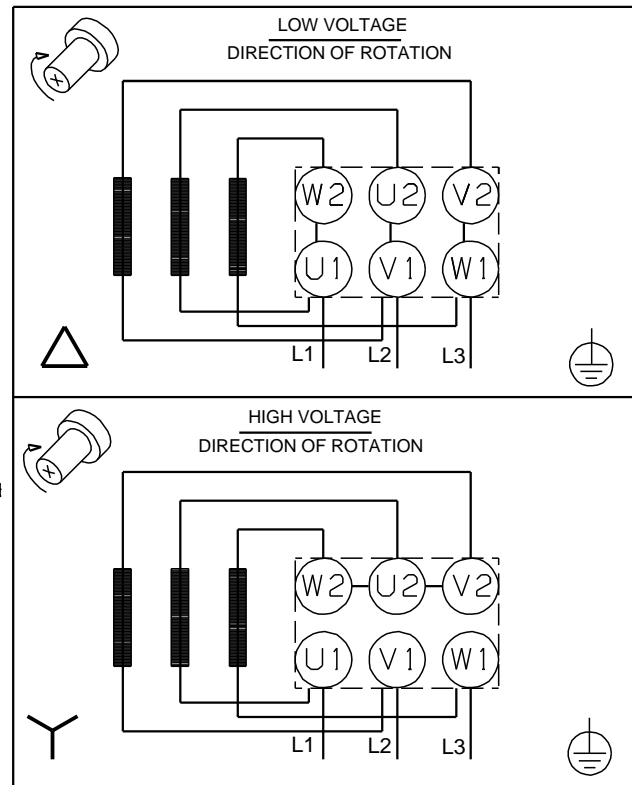
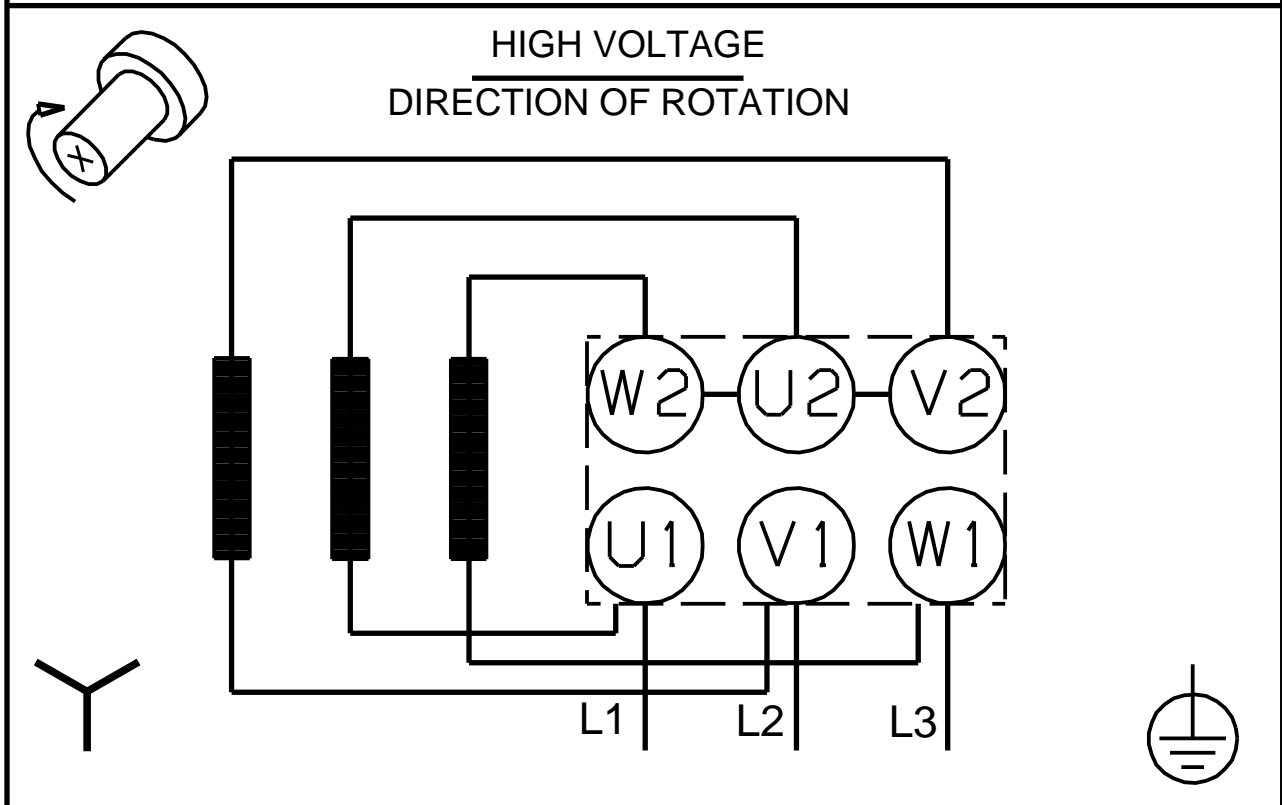
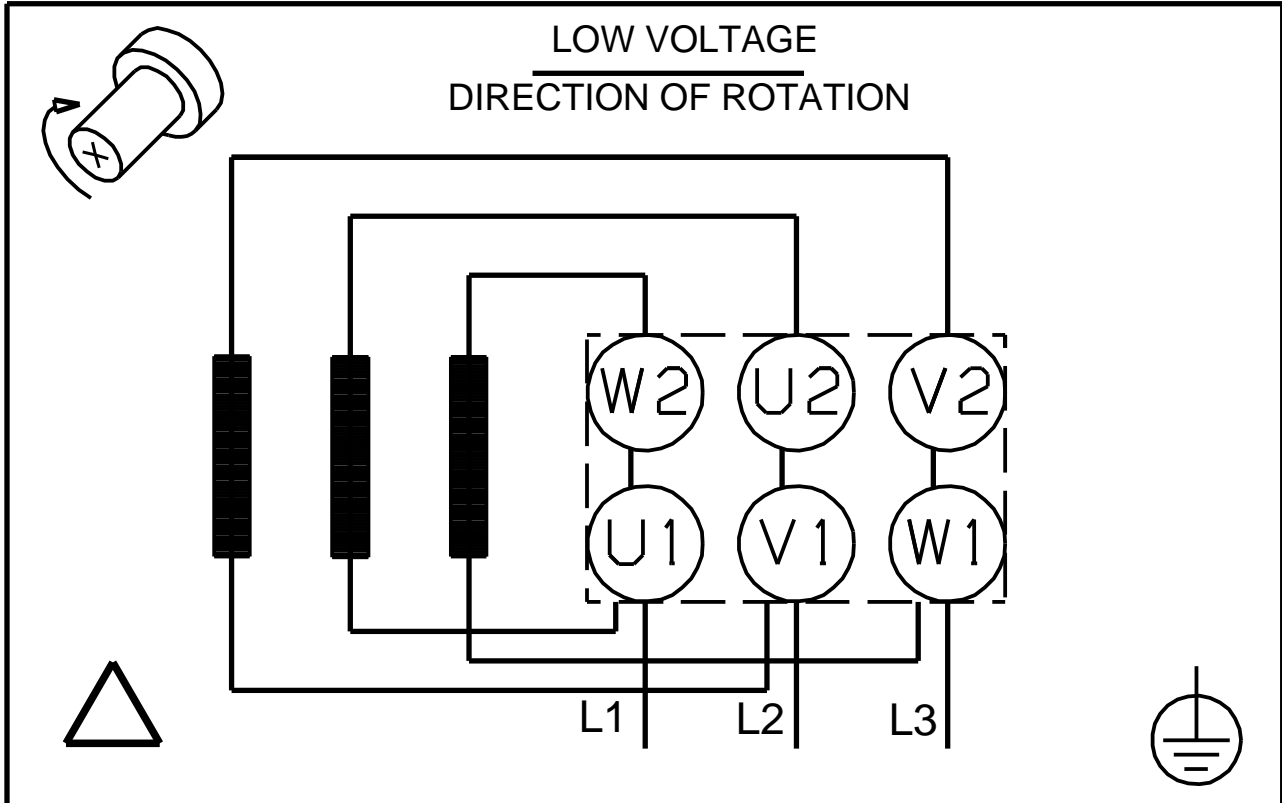


Count	Description																												
1	<p data-bbox="225 342 384 365">BALDOR 56C</p>  <p data-bbox="619 770 1072 792">Product photo could vary from the actual product</p> <p data-bbox="225 801 703 860">Product No.: 85600002 The motor is a 3-phase AC standard motor.</p> <p data-bbox="225 891 368 913">Installation:</p> <p data-bbox="225 920 663 978">Maximum ambient temperature: 131 °F Flange size for motor: 56C</p> <p data-bbox="225 1010 405 1032">Electrical data:</p> <table data-bbox="225 1039 944 1368"><tr><td>Motor type:</td><td>Baldor</td></tr><tr><td>IE Efficiency class:</td><td>NEMA Energy / IE2 60Hz / NRC</td></tr><tr><td>Rated power - P2:</td><td>0.5 HP</td></tr><tr><td>Main frequency:</td><td>60 Hz</td></tr><tr><td>Rated voltage:</td><td>3 x 230/460 V</td></tr><tr><td>Service factor:</td><td>1.25</td></tr><tr><td>Rated current:</td><td>2/1 A</td></tr><tr><td>Rated speed:</td><td>3450 rpm</td></tr><tr><td>Number of poles:</td><td>2</td></tr><tr><td>Enclosure class (IEC 34-5):</td><td>54 Dust/Splashing</td></tr><tr><td>Insulation class (IEC 85):</td><td>B</td></tr></table> <p data-bbox="225 1400 320 1422">Others:</p> <table data-bbox="225 1429 855 1512"><tr><td>Net weight:</td><td>15.4 lb</td></tr><tr><td>Color/Type:</td><td>NCS 9000 gloss 40+-10</td></tr><tr><td>Custom tariff no.:</td><td>8501.51.4040</td></tr></table>	Motor type:	Baldor	IE Efficiency class:	NEMA Energy / IE2 60Hz / NRC	Rated power - P2:	0.5 HP	Main frequency:	60 Hz	Rated voltage:	3 x 230/460 V	Service factor:	1.25	Rated current:	2/1 A	Rated speed:	3450 rpm	Number of poles:	2	Enclosure class (IEC 34-5):	54 Dust/Splashing	Insulation class (IEC 85):	B	Net weight:	15.4 lb	Color/Type:	NCS 9000 gloss 40+-10	Custom tariff no.:	8501.51.4040
Motor type:	Baldor																												
IE Efficiency class:	NEMA Energy / IE2 60Hz / NRC																												
Rated power - P2:	0.5 HP																												
Main frequency:	60 Hz																												
Rated voltage:	3 x 230/460 V																												
Service factor:	1.25																												
Rated current:	2/1 A																												
Rated speed:	3450 rpm																												
Number of poles:	2																												
Enclosure class (IEC 34-5):	54 Dust/Splashing																												
Insulation class (IEC 85):	B																												
Net weight:	15.4 lb																												
Color/Type:	NCS 9000 gloss 40+-10																												
Custom tariff no.:	8501.51.4040																												

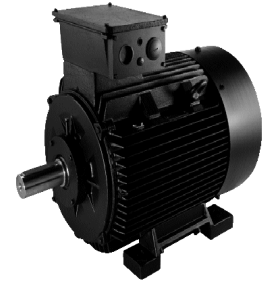
Description	Value
General information:	
Product name:	BALDOR 56C
Product No.:	85600002
EAN:	5700390730543
Technical:	
Shaft diameter:	0.63 in
Length of shaft end:	1.88 in
Cooling:	TEFC
Installation:	
Maximum ambient temperature:	131 °F
Flange size for motor:	56C
Electrical data:	
Motor type:	Baldor
IE Efficiency class:	NEMA Energy / IE2 60Hz / NRC
Rated power - P2:	0.5 HP
Main frequency:	60 Hz
Rated voltage:	3 x 230/460 V
Service factor:	1.25
Rated current:	2/1 A
Load current:	2.4/1.2 A
Rated speed:	3450 rpm
Number of poles:	2
Enclosure class (IEC 34-5):	54 Dust/Splashing
Insulation class (IEC 85):	B
Motor protection:	NONE
Mounting design per IEC 34-7:	NEMA type C
Others:	
Brand:	Baldor
Net weight:	15.4 lb
Color/Type:	NCS 9000 gloss 40+-10
Custom tariff no.:	8501.51.4040



85600002 BALDOR 56C 60 Hz



All units are [in] unless otherwise presented.



Ordering data

85600002 BALDOR 56C 60 Hz

Product No.: 85600002

Company name:

Date:

7/22/2019

Created by:

Phone:

Fax:

Project:

Client number:

Contact:

Reference number:

Electrical data:

Frequency	60 Hz
Rated motor voltage	230/460 V
Rated motor power	0.5 HP
Rated motor speed	3450 rpm
Rated motor torque	-
Wiring connection	-
Rated motor current	2/1 A
Max motor current	-
Efficiency class	NEMA Energy / IE2 60Hz / NRC
Full load Efficiency %	-
Power factor	-
Starting- / Rated motor current ^(50/60)	/
Breakdown- / Rated motor torque ^(50/60)	/ %
Starting- / Rated motor torque ^(50/60)	/

Mechanical data:

Noise measurements ^(50/60)	-
Moment of inertia	-
Drain holes	Yes (closed)
Bearing DE	6203
Bearing NDE	6203
Bearing arrangement	NDE-locked
Type of bearing DE	-
Bearing seal DE	-
Characteristic of grease DE	-
Type of bearing NDE	-
Bearing seal NDE	-
Characteristic of grease NDE	-
Regreasing device	No
Type of lubrication	-
Relubrication interval	-
Quantity of grease for relubrication	-
External grounding	-
Color/type	NCS 9000 gloss 40+-10

Explosion protection:

Type of protection	-
--------------------	---

Ambient conditions:

Ambient temperature	
Altitude above sea level	3280 ft
Approvals and specifications	IEC 60034

General data:

Frame size	Baldor
Type of construction	NEMA type C Flange size 56C
Weight, without optional accessories	15.4 lb
Frame material	-
Degree of protection	IP 54 Dust/Splashing
Method of cooling, TEFC	TEFC
Vibration class	
Insulation class	155(F) to 130(B)
Duty type	-
Direction of rotation	CCW /

Terminal box:

Material of terminal box	-
Cable entry	-
Cable gland	-

Protection:

Built-in protection	-
---------------------	---



Company name:

Created by:

Phone:

Date:

7/22/2019

Order Data:

Product name: BALDOR 56C

Amount: 1

Product No.: 85600002

Total: Price on request
