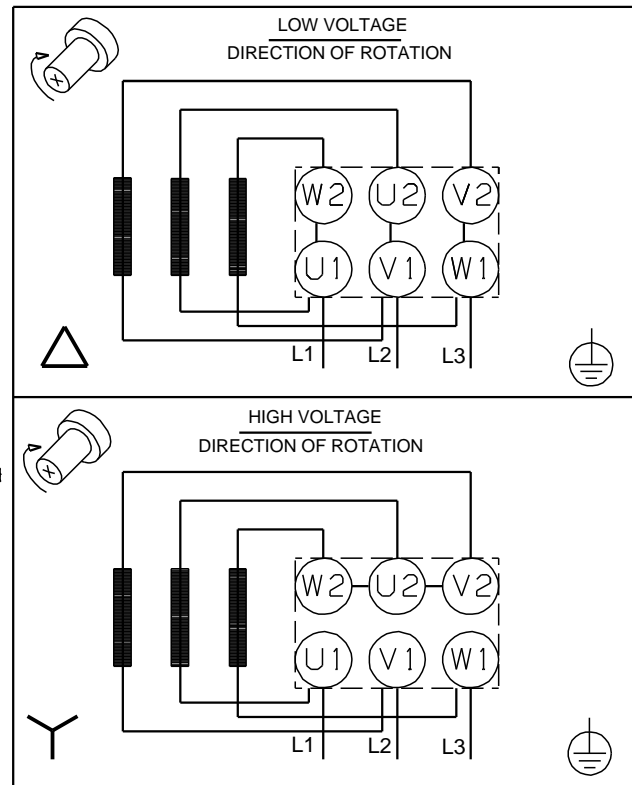
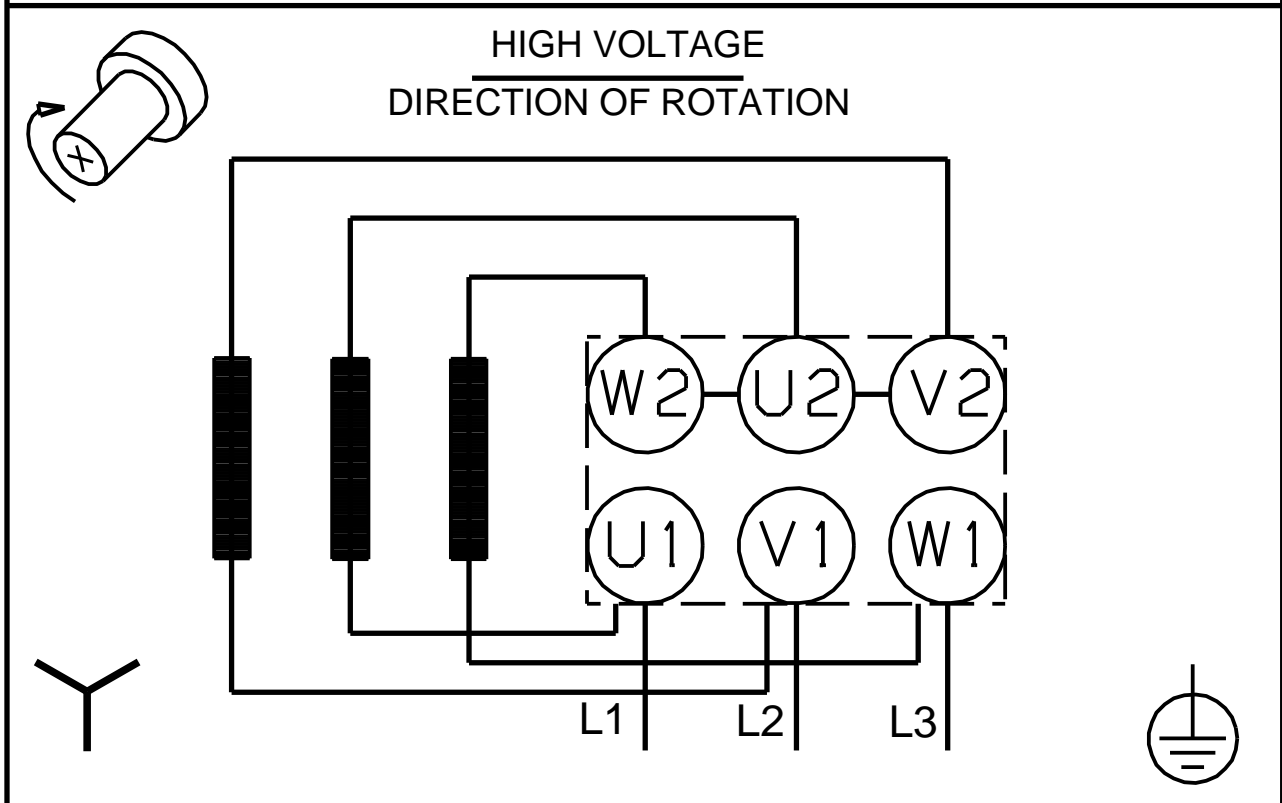
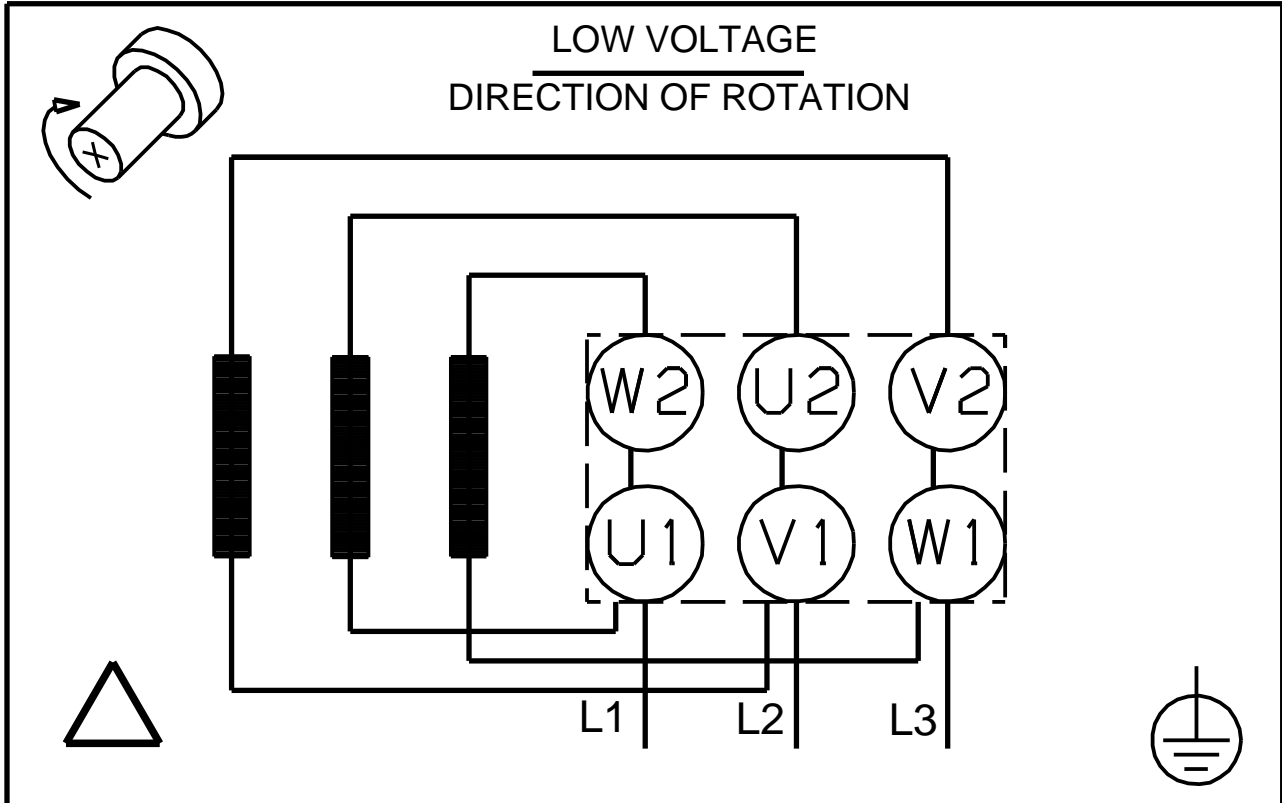


Count	Description
1	<p data-bbox="225 338 416 367">BALDOR 254TC</p>  <p data-bbox="616 770 1072 795">Product photo could vary from the actual product</p> <p data-bbox="225 801 496 831">Product No.: 85600H24</p> <p data-bbox="225 831 703 860">The motor is a 3-phase AC standard motor.</p> <p data-bbox="225 891 368 920">Installation:</p> <p data-bbox="225 920 663 949">Maximum ambient temperature: 104 °F</p> <p data-bbox="225 949 663 978">Flange size for motor: 254TC</p> <p data-bbox="225 1010 405 1039">Electrical data:</p> <p data-bbox="225 1039 893 1368">Motor type: Baldor IE Efficiency class: NEMA Premium / IE3 60Hz Rated power - P2: 15 HP Main frequency: 60 Hz Rated voltage: 3 x 208-230/460 V Service factor: 1.15 Rated current: 38,0-35,0/17,5 A Rated speed: 3520 rpm Number of poles: 2 Enclosure class (IEC 34-5): 54 Dust/Splashing Insulation class (IEC 85): F</p> <p data-bbox="225 1400 320 1429">Others:</p> <p data-bbox="225 1429 855 1487">Net weight: 212 lb Color/Type: NCS 9000 gloss 40+-10</p>

Description	Value
General information:	
Product name:	BALDOR 254TC
Product No.:	85600H24
EAN:	5700394567787
Technical:	
Shaft diameter:	1.62 in
Length of shaft end:	3.75 in
Cooling:	TEFC
Installation:	
Maximum ambient temperature:	104 °F
Flange size for motor:	254TC
Electrical data:	
Motor type:	Baldor
IE Efficiency class:	NEMA Premium / IE3 60Hz
Rated power - P2:	15 HP
Main frequency:	60 Hz
Rated voltage:	3 x 208-230/460 V
Service factor:	1.15
Rated current:	38,0-35,0/17,5 A
Load current:	44-40/20 A
Rated speed:	3520 rpm
Number of poles:	2
Enclosure class (IEC 34-5):	54 Dust/Splashing
Insulation class (IEC 85):	F
Motor protection:	NONE
Tropic protec:	No
Mounting design per IEC 34-7:	NEMA type C
Others:	
Net weight:	212 lb
Color/Type:	NCS 9000 gloss 40+-10



85600H24 BALDOR 254TC 60 Hz



All units are [in] unless otherwise presented.



Ordering data

85600H24 BALDOR 254TC 60 Hz

Product No.: 85600H24

Company name: Date: 7/23/2019
Created by: Phone: Fax:

Project: Client number:
Contact: Reference number:

Electrical data:

Frequency	60 Hz
Rated motor voltage	208-230/460 V
Rated motor power	15 HP
Rated motor speed	3520 rpm
Rated motor torque	-
Wiring connection	-
Rated motor current	38,0-35,0/17,5 A
Max motor current	-
Efficiency class	NEMA Premium / IE3 60Hz
Full load Efficiency %	-
Power factor	-
Starting- / Rated motor current ^(50/60)	/
Breakdown- / Rated motor torque ^(50/60)	/ %
Starting- / Rated motor torque ^(50/60)	/

Mechanical data:

Noise measurements ^(50/60)	-
Moment of inertia	-
Drain holes	Yes (closed)
Bearing DE	7309
Bearing NDE	6208
Bearing arrangement	NDE-locked
Type of bearing DE	-
Bearing seal DE	-
Characteristic of grease DE	-
Type of bearing NDE	-
Bearing seal NDE	-
Characteristic of grease NDE	-
Regreasing device	No
Type of lubrication	-
Relubrication interval	-
Quantity of grease for relubrication	-
External grounding	-
Color/type	NCS 9000 gloss 40+-10

Explosion protection:

Type of protection	-
--------------------	---

Ambient conditions:

Ambient temperature	
Altitude above sea level	3280 ft
Approvals and specifications	IEC 60034

General data:

Frame size	Baldor
Type of construction	NEMA type C Flange size 254TC
Weight, without optional accessories	212 lb
Frame material	-
Degree of protection	IP 54 Dust/Splashing
Method of cooling, TEFC	TEFC
Vibration class	
Insulation class	155(F) to 130(B)
Duty type	-
Direction of rotation	CW /

Terminal box:

Material of terminal box	-
Cable entry	-
Cable gland	-

Protection:

Built-in protection	-
---------------------	---