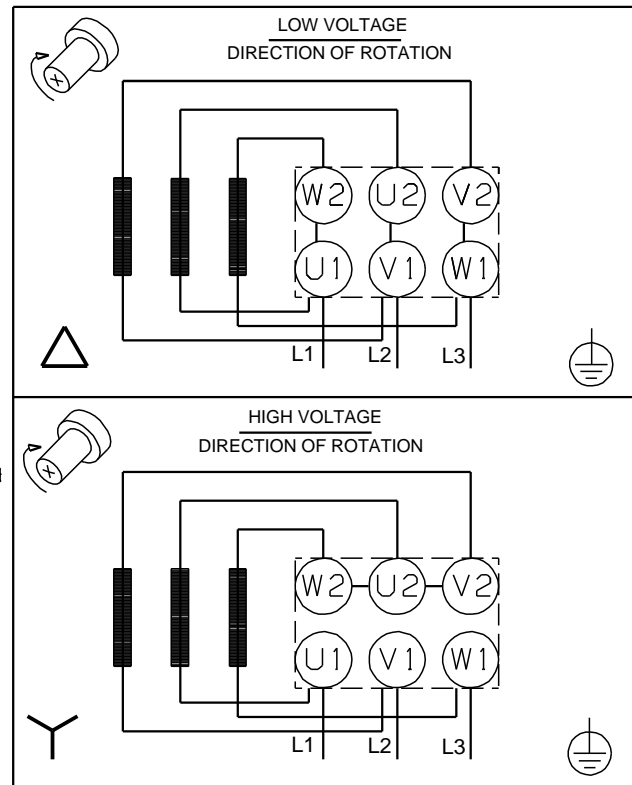
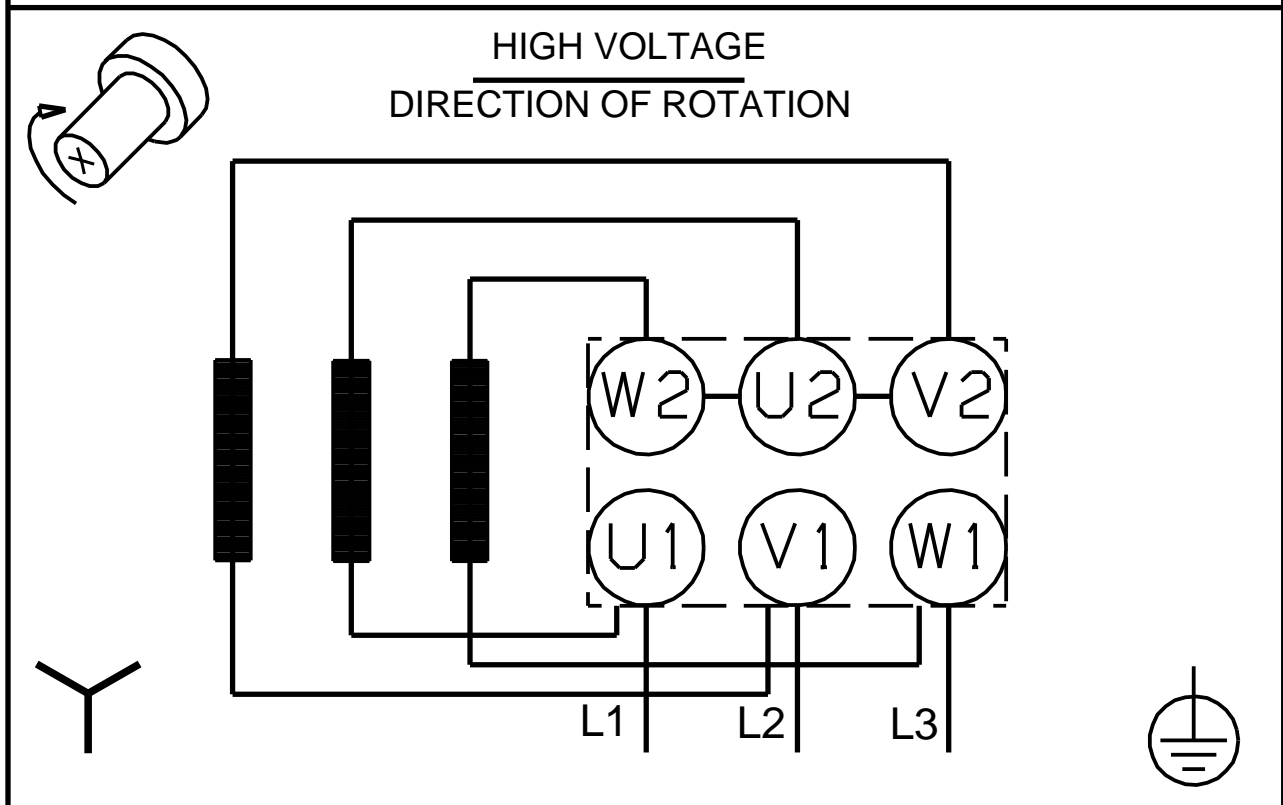
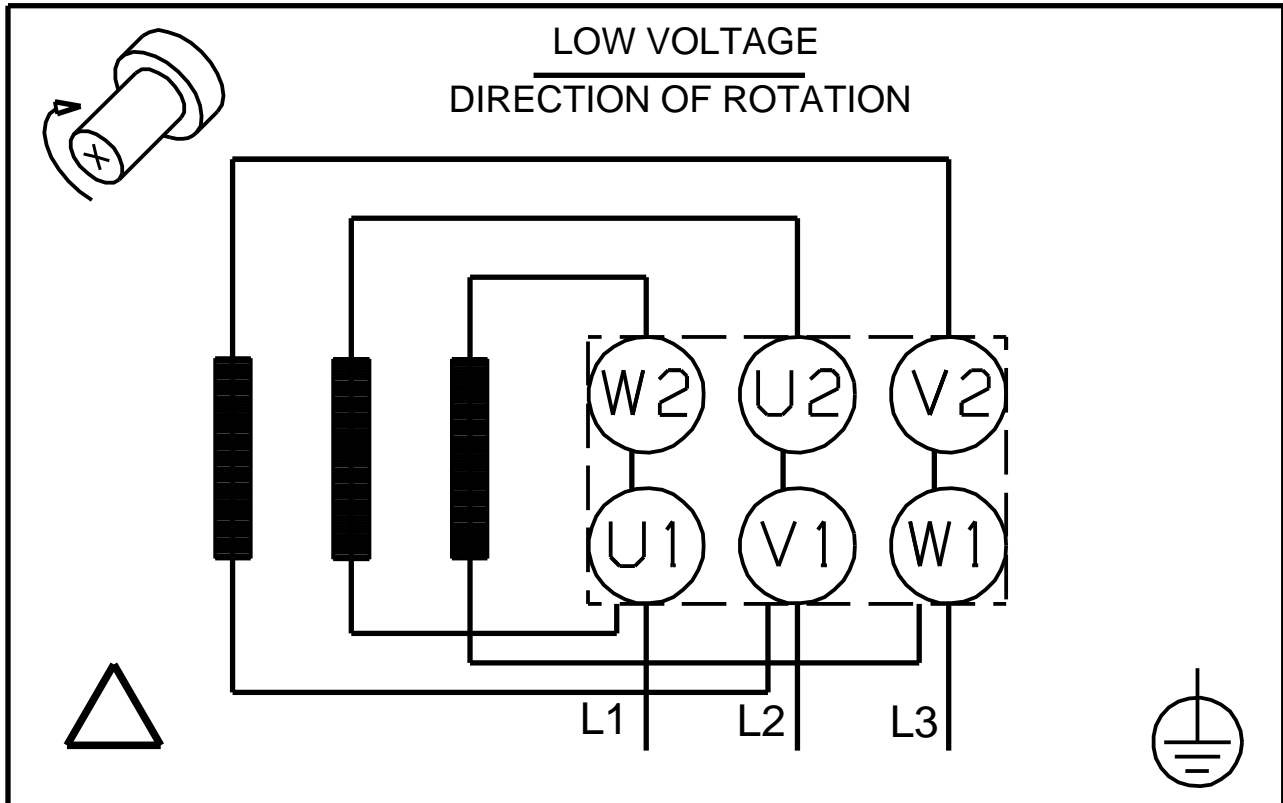


Count	Description																										
1	<p data-bbox="225 340 414 362">BALDOR 284TS</p>  <p data-bbox="619 772 1072 795">Product photo could vary from the actual product</p> <p data-bbox="225 801 702 862">Product No.: 85600H26 The motor is a 3-phase AC standard motor.</p> <p data-bbox="225 891 367 913">Installation:</p> <p data-bbox="225 920 726 981">Range of ambient temperature: -22 .. 104 °F Flange size for motor: 284TS</p> <p data-bbox="225 1010 406 1032">Electrical data:</p> <table data-bbox="225 1039 893 1366"><tr><td>Motor type:</td><td>Baldor</td></tr><tr><td>IE Efficiency class:</td><td>NEMA Premium / IE3 60Hz</td></tr><tr><td>Rated power - P2:</td><td>25 HP</td></tr><tr><td>Main frequency:</td><td>60 Hz</td></tr><tr><td>Rated voltage:</td><td>3 x 230/460 V</td></tr><tr><td>Service factor:</td><td>1.15</td></tr><tr><td>Rated current:</td><td>56/28 A</td></tr><tr><td>Rated speed:</td><td>3530 rpm</td></tr><tr><td>Number of poles:</td><td>2</td></tr><tr><td>Enclosure class (IEC 34-5):</td><td>54 Dust/Splashing</td></tr><tr><td>Insulation class (IEC 85):</td><td>F</td></tr></table> <p data-bbox="225 1395 319 1417">Others:</p> <table data-bbox="225 1424 853 1485"><tr><td>Net weight:</td><td>357 lb</td></tr><tr><td>Color/Type:</td><td>NCS 9000 gloss 40+-10</td></tr></table>	Motor type:	Baldor	IE Efficiency class:	NEMA Premium / IE3 60Hz	Rated power - P2:	25 HP	Main frequency:	60 Hz	Rated voltage:	3 x 230/460 V	Service factor:	1.15	Rated current:	56/28 A	Rated speed:	3530 rpm	Number of poles:	2	Enclosure class (IEC 34-5):	54 Dust/Splashing	Insulation class (IEC 85):	F	Net weight:	357 lb	Color/Type:	NCS 9000 gloss 40+-10
Motor type:	Baldor																										
IE Efficiency class:	NEMA Premium / IE3 60Hz																										
Rated power - P2:	25 HP																										
Main frequency:	60 Hz																										
Rated voltage:	3 x 230/460 V																										
Service factor:	1.15																										
Rated current:	56/28 A																										
Rated speed:	3530 rpm																										
Number of poles:	2																										
Enclosure class (IEC 34-5):	54 Dust/Splashing																										
Insulation class (IEC 85):	F																										
Net weight:	357 lb																										
Color/Type:	NCS 9000 gloss 40+-10																										

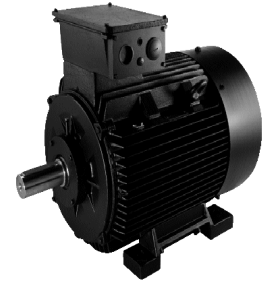
Description	Value
General information:	
Product name:	BALDOR 284TS
Product No.:	85600H26
EAN:	5700394567800
Technical:	
Shaft diameter:	1.62 in
Length of shaft end:	3 in
Cooling:	TEFC
Installation:	
Range of ambient temperature:	-22 .. 104 °F
Flange size for motor:	284TS
Electrical data:	
Motor type:	Baldor
IE Efficiency class:	NEMA Premium / IE3 60Hz
Rated power - P2:	25 HP
Main frequency:	60 Hz
Rated voltage:	3 x 230/460 V
Service factor:	1.15
Rated current:	56/28 A
Load current:	64.4/32.2 A
Rated speed:	3530 rpm
Number of poles:	2
Enclosure class (IEC 34-5):	54 Dust/Splashing
Insulation class (IEC 85):	F
Motor protection:	NONE
Tropic protec:	No
Mounting design per IEC 34-7:	NEMA type C
Others:	
Net weight:	357 lb
Color/Type:	NCS 9000 gloss 40+-10



85600H26 BALDOR 284TS 60 Hz



All units are [in] unless otherwise presented.



Ordering data

85600H26 BALDOR 284TS 60 Hz

Product No.: 85600H26

Company name: Date: 7/23/2019
 Created by: Phone: Fax:

Project: Client number:
 Contact: Reference number:

Electrical data:

Frequency	60 Hz
Rated motor voltage	230/460 V
Rated motor power	25 HP
Rated motor speed	3530 rpm
Rated motor torque	-
Wiring connection	-
Rated motor current	56/28 A
Max motor current	-
Efficiency class	NEMA Premium / IE3 60Hz
Full load Efficiency %	-
Power factor	-
Starting- / Rated motor current ^(50/60)	/
Breakdown- / Rated motor torque ^(50/60)	/ %
Starting- / Rated motor torque ^(50/60)	/

Mechanical data:

Noise measurements ^(50/60)	-
Moment of inertia	-
Drain holes	Yes (closed)
Bearing DE	7311
Bearing NDE	6208
Bearing arrangement	NDE-locked
Type of bearing DE	-
Bearing seal DE	-
Characteristic of grease DE	-
Type of bearing NDE	-
Bearing seal NDE	-
Characteristic of grease NDE	-
Regreasing device	No
Type of lubrication	-
Relubrication interval	-
Quantity of grease for relubrication	-
External grounding	-
Color/type	NCS 9000 gloss 40+-10

Explosion protection:

Type of protection	-
--------------------	---

Ambient conditions:

Ambient temperature	-22°F to 104°F
Altitude above sea level	3280 ft
Approvals and specifications	IEC 60034

General data:

Frame size	Baldor
Type of construction	NEMA type C Flange size 284TS
Weight, without optional accessories	357 lb
Frame material	-
Degree of protection	IP 54 Dust/Splashing
Method of cooling, TEFC	TEFC
Vibration class	-
Insulation class	155(F) to 130(B)
Duty type	-
Direction of rotation	CW /

Terminal box:

Material of terminal box	-
Cable entry	-
Cable gland	-

Protection:

Built-in protection	-
---------------------	---