

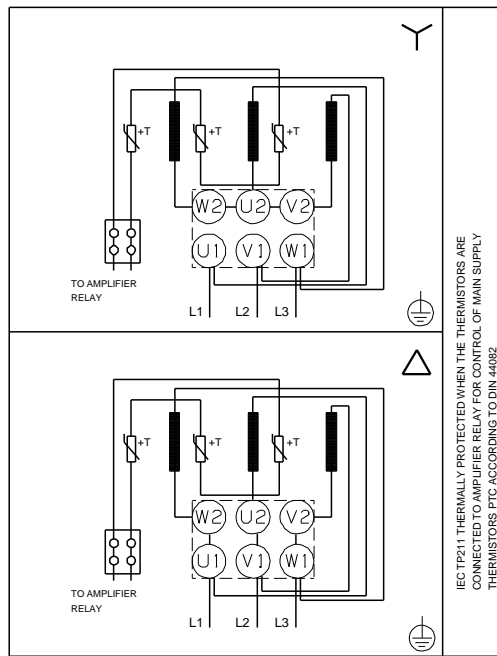


Company name:
Created by:
Phone:

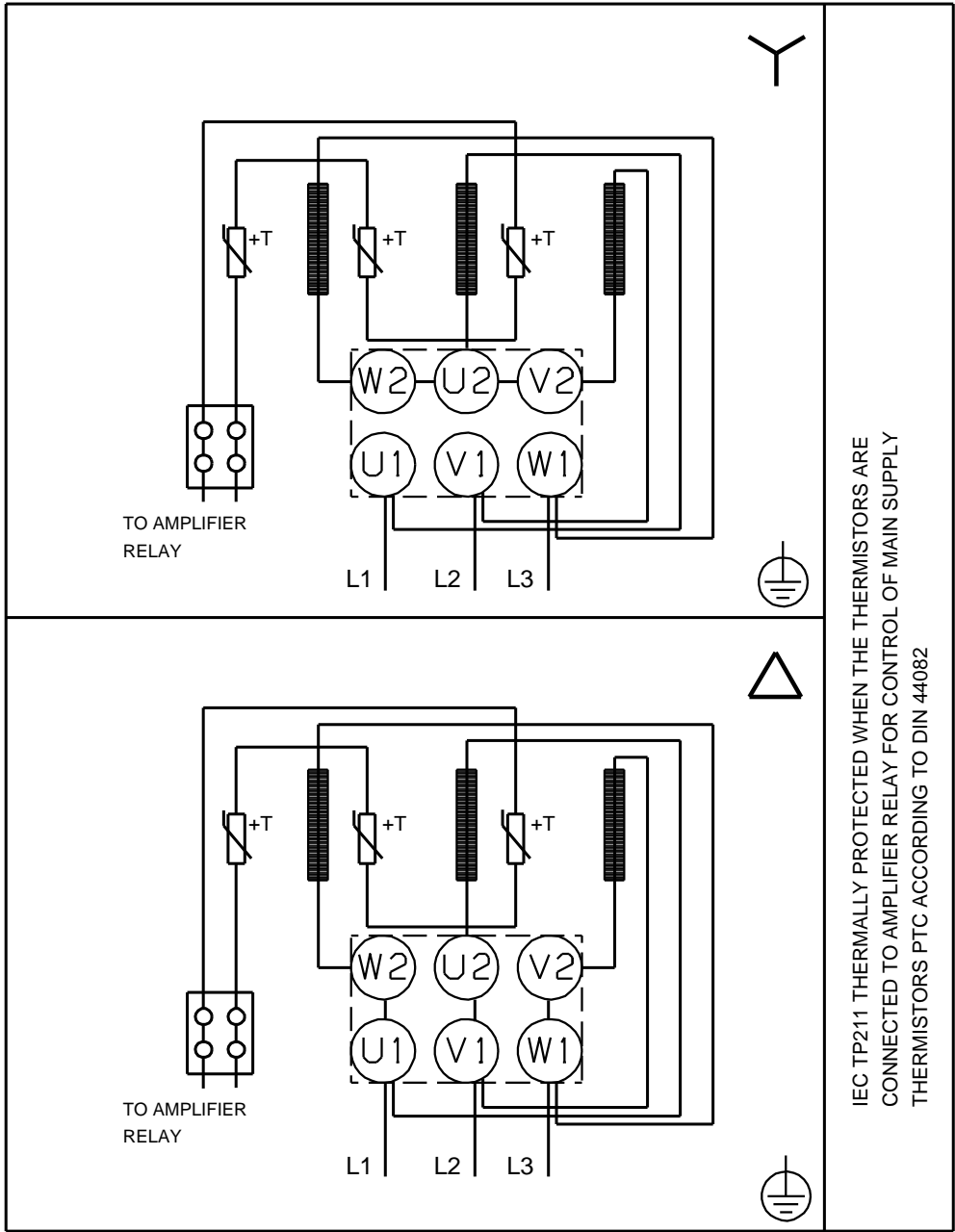
Date: 12/2/2020

Count	Description
1	<p>BALDOR 405TSD</p>  <p>Product photo could vary from the actual product</p> <p>Product No.: 99038979 Phase: The motor is a 3-phase AC standard motor.</p> <p>Installation: Maximum ambient temperature: 122 °F Flange size for motor: 405TSD</p> <p>Electrical data: Motor type: BALDOR IE Efficiency class: IE3 / NEMA Premium Rated power - P2: 100 HP Main frequency: 60 Hz Rated voltage: 3 x 460 V Service factor: 1.15 Rated current: 110 A Cos phi - power factor: 0.90 Rated speed: 3565 rpm Moment of inertia: 13.67 lb ft² IE efficiency: IE3 95% Number of poles: 2 Enclosure class (IEC 34-5): IP55 Insulation class (IEC 85): F</p> <p>Others: Net weight: 1390 lb Color/Type: BLACK</p>

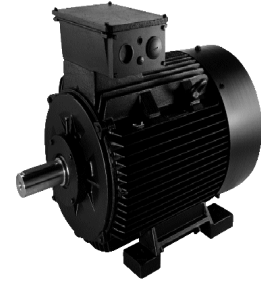
Description	Value
General information:	
Product name:	BALDOR 405TSD
Product No.:	99038979
EAN:	5712605584810
Price:	
Technical:	
Cooling:	TEFC
Installation:	
Maximum ambient temperature:	122 °F
Flange size for motor:	405TSD
Electrical data:	
Motor type:	BALDOR
IE Efficiency class:	IE3 / NEMA Premium
Rated power - P2:	100 HP
Main frequency:	60 Hz
Rated voltage:	3 x 460 V
Service factor:	1.15
Rated current:	110 A
Load current:	126/63 A
Cos phi - power factor:	0.90
Rated speed:	3565 rpm
Moment of inertia:	13.67 lb ft ²
IE efficiency:	IE3 95%
Number of poles:	2
Enclosure class (IEC 34-5):	IP55
Insulation class (IEC 85):	F
Motor protection:	PTC
Tropic protec:	NO
Thermal protec:	external
Mounting design per IEC 34-7:	NEMA type D
Others:	
Net weight:	1390 lb
Color/Type:	BLACK



99038979 BALDOR 405TSD 60 Hz



All units are [in] unless otherwise presented.



Ordering data

99038979 BALDOR 405TSD 60 Hz

Product No.: 99038979

Company name: Date:
Created by: Phone: Fax:

12/2/2020

Project: Client number:
Contact: Reference number:

Electrical data:

Frequency	60 Hz
Rated motor voltage	460 V
Rated motor power	100 HP
Rated motor speed	3565 rpm
Rated motor torque	-
Wiring connection	-
Rated motor current	110 A
Max motor current	-
Efficiency class	IE3 / NEMA Premium
Full load Efficiency %	-
Power factor	0,90
Starting- / Rated motor current ^(50/60)	/
Breakdown- / Rated motor torque ^(50/60)	/ %
Starting- / Rated motor torque ^(50/60)	/

Mechanical data:

Noise measurements ^(50/60)	-	78 dB(A)
Moment of inertia	13.67 lb ft ²	
Drain holes	Yes (closed)	
Bearing DE	65BC03J30X	
Bearing NDE	65BC03J30X	
Bearing arrangement	NDE-locked	
Type of bearing DE	-	
Bearing seal DE	-	
Characteristic of grease DE	-	
Type of bearing NDE	-	
Bearing seal NDE	-	
Characteristic of grease NDE	-	
Regreasing device	No	
Type of lubrication	-	
Relubrication interval	-	
Quantity of grease for relubrication	-	
External grounding	-	
Color/type	BLACK	

Explosion protection:

Type of protection	-
--------------------	---

Ambient conditions:

Ambient temperature	
Altitude above sea level	3280 ft
Approvals and specifications	IEC 60034

General data:

Frame size	BALDOR
Type of construction	NEMA type D Flange size 405TSD
Weight, without optional accessories	1390 lb
Frame material	-
Degree of protection	IP TEFC
Method of cooling, TEFC	TEFC
Vibration class	
Insulation class	155(F) to 130(B)
Duty type	-
Direction of rotation	CW /

Terminal box:

Material of terminal box	-
Cable entry	-
Cable gland	-

Protection:

Built-in protection	-
---------------------	---