

PROJECT: _____	UNIT TAG: _____	QUANTITY: _____
REPRESENTATIVE: _____	TYPE OF SERVICE: _____	DATE: _____
ENGINEER: _____	SUBMITTED BY: _____	DATE: _____
CONTRACTOR: _____	APPROVED BY: _____	DATE: _____
	ORDER NO.: _____	DATE: _____

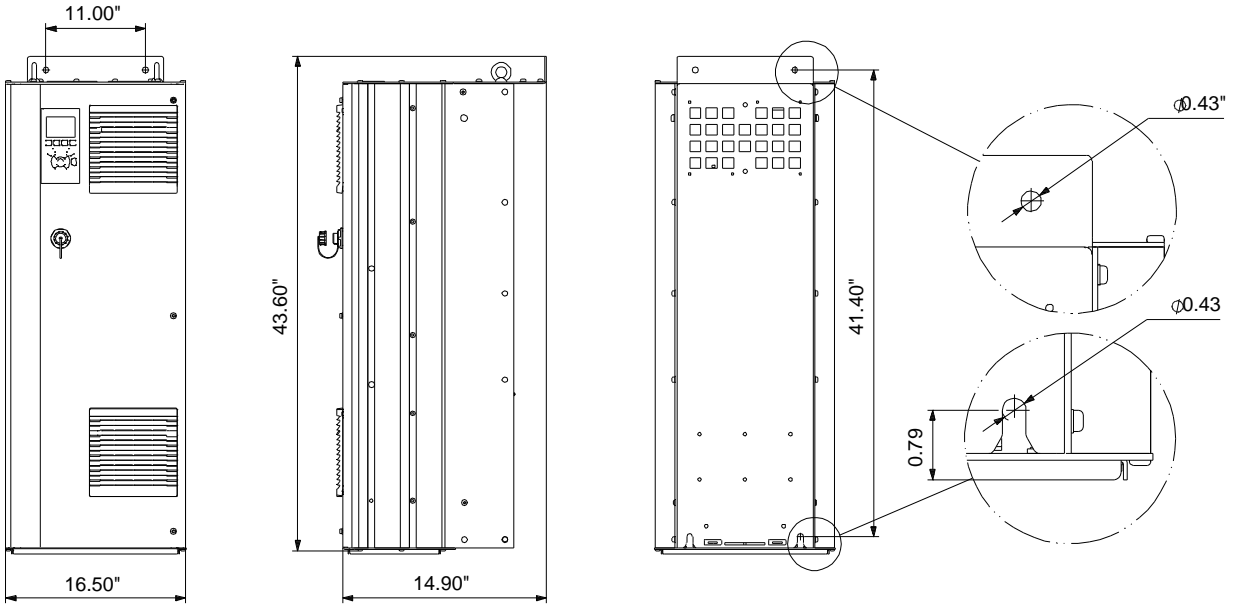


**CUE 3X380-500V IP21 200KW**

CUE

Product photo could vary from the actual product

Conditions of Service	Pump Data	Motor Data
Flow: _____	Maximum ambient temperature: 104 °F	Rated voltage: 380 - 440 / 441 - 500 V
Head: _____	Approvals: CE, CULUS, C-TICK	Main frequency: 50 / 60 Hz
Efficiency: _____	Product number: 99616729	Enclosure class: IP21
Liquid: _____		Motor protection: YES
Temperature: _____		Thermal protection: external
NPSH required: _____		
Viscosity: _____		
Specific Gravity: _____		



Count	Description
-------	-------------

1

**CUE 3X380-500V IP21 200KW**



Product photo could vary from the actual product

Product No.: [99616729](#)

CUE is a complete range of external frequency converters designed for speed control of a wide range of Grundfos pumps. CUE has a built-in PI controller and offers the same functionality and user-interface as Grundfos E-pumps. CUE solutions can thus be seen as an extension to the E-pump range.

By choosing a CUE-solution, you will get the following benefits:

- Grundfos E-pump functionality and user-interface
- application- and pump-family-related functions
- increased comfort compared to fixed-speed pumps
- very easy installation and commissioning compared to standard frequency converters
- speed control of pumps up to 250 kW
- speed control of pumps installed in potentially explosive environments.

CUE offers the following inputs and output:

- RS-485 GENibus
- an analog 0-10 V input for external setpoint
- an analog 0/4-20 mA input for sensor
- four digital inputs for various functions, for instance external start/stop
- two signal relays (C/NO/NC).

Accessories:

Input/output add-on board

Provides additional input:

- one 0/4-20 mA analog input for an additional sensor
- one 0-20 mA analog output
- two inputs for Pt100/Pt1000 temperature sensors, for instance for bearing monitoring.

Motor filters:

For reduction of dU/dt and peak voltages to the motor windings and for reduction of the acoustic noise generated in the motor, a number of motor filters are offered:

- dU/dt filters , 11-250 kW
- Sine wave filters, 0.55-250 kW.

**Technical:**

Approvals on nameplate: CE, CULUS, C-TICK



Company name:

Created by:

Phone:

Date:

5/27/2020

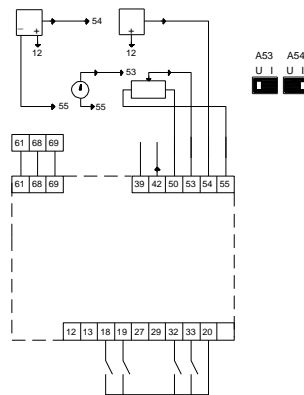
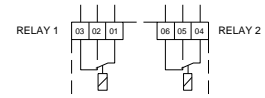
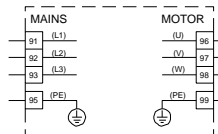
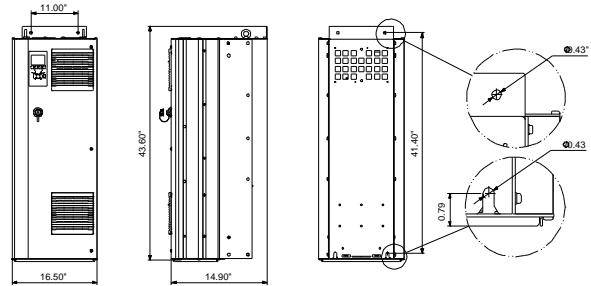
Count	Description
	<p data-bbox="298 415 440 443"><b>Installation:</b></p> <p data-bbox="298 445 786 472">Range of ambient temperature: 32 .. 104 °F</p> <p data-bbox="298 474 737 501">Relative humidity: 5-95 %</p> <p data-bbox="298 533 477 560"><b>Electrical data:</b></p> <p data-bbox="298 562 737 590">Rated power - P2: 270 HP</p> <p data-bbox="298 592 769 619">Main frequency: 50 / 60 Hz</p> <p data-bbox="298 621 948 648">Rated voltage: 3 x 380 - 440 / 441 - 500 V</p> <p data-bbox="298 651 769 678">Rated current: 395-361 A</p> <p data-bbox="298 680 721 707">Maximum current consumption: 395 A</p> <p data-bbox="298 709 721 737">Efficiency at full load: 98 %</p> <p data-bbox="298 739 704 766">Enclosure class (IEC 34-5): IP21</p> <p data-bbox="298 798 380 825"><b>Others:</b></p> <p data-bbox="298 827 721 854">Net weight: 276 lb</p>



Company name:  
Created by:  
Phone:

Date: 5/27/2020

Description	Value
<b>General information:</b>	
Product name:	CUE 3X380-500V IP21 200KW
Product No.:	99616729
EAN:	5713831974345
	5713831974345
<b>Technical:</b>	
Approvals on nameplate:	CE, CULUS, C-TICK
<b>Installation:</b>	
Range of ambient temperature:	32 .. 104 °F
Relative humidity:	5-95 %
Mounted on:	WALL / FLOOR
<b>Electrical data:</b>	
Rated power - P2:	270 HP
Main frequency:	50 / 60 Hz
Rated voltage:	3 x 380 - 440 / 441 - 500 V
Rated current:	395-361 A
Maximum current consumption:	395 A
Efficiency at full load:	98 %
Enclosure class (IEC 34-5):	IP21
Motor protection:	YES
Thermal protec:	external
Cable length:	150/300 m
<b>Others:</b>	
Net weight:	276 lb

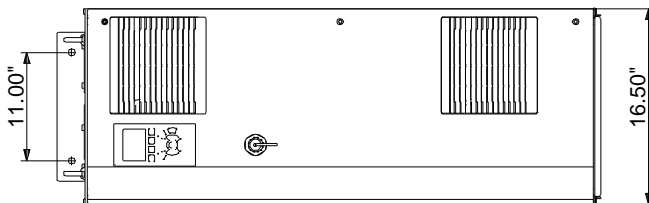
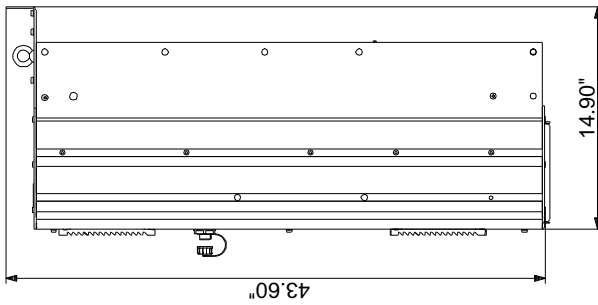
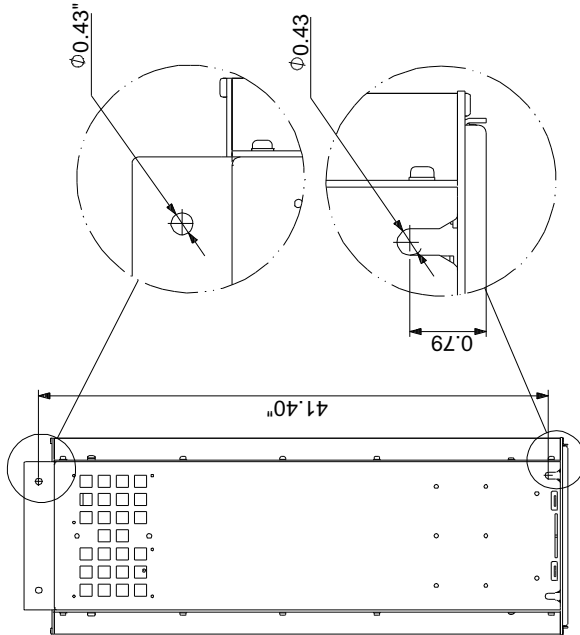




Company name:  
Created by:  
Phone:

Date: 5/27/2020

### 99616729 CUE 3X380-500V IP21 200KW



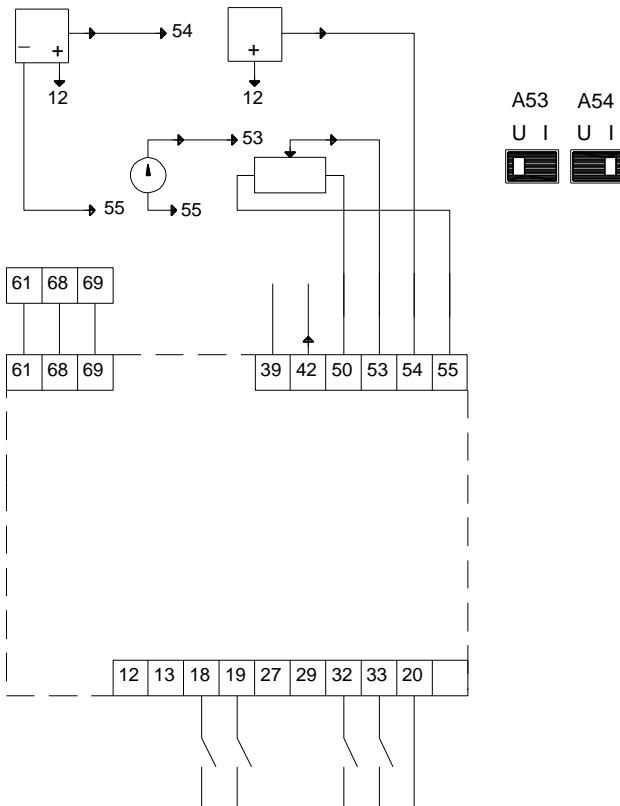
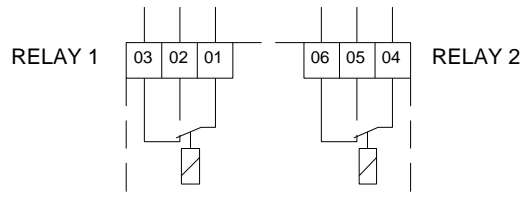
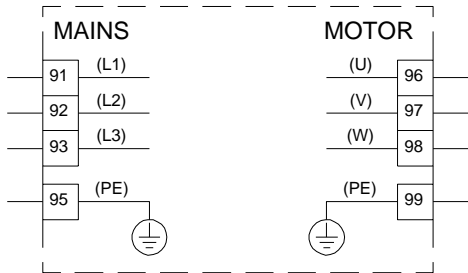
Note! All units are in [in] unless otherwise stated.  
Disclaimer: This simplified dimensional drawing does not show all details.



Company name:  
Created by:  
Phone:

Date: 5/27/2020

### 99616729 CUE 3X380-500V IP21 200KW



All units are [in] unless otherwise presented.