

PROJECT: _____	UNIT TAG: _____	QUANTITY: _____
REPRESENTATIVE: _____	TYPE OF SERVICE: _____	DATE: _____
ENGINEER: _____	SUBMITTED BY: _____	DATE: _____
CONTRACTOR: _____	APPROVED BY: _____	DATE: _____
	ORDER NO.: _____	DATE: _____

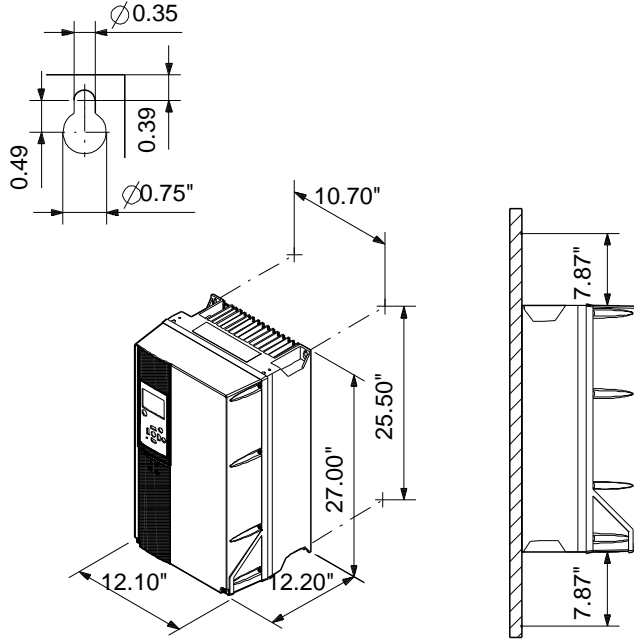
CUE 3X380-500V IP55 55KW 106A/


CUE



Product photo could vary from the actual product

Conditions of Service	Pump Data	Motor Data
Flow: _____	Maximum ambient temperature: 113 °F	Rated voltage: 380 - 440 / 441 - 500 V
Head: _____	Approvals: CE, CULUS, C-TICK	Main frequency: 50 / 60 Hz
Efficiency: _____	Product number: On request	Enclosure class: IP55
Liquid: _____		Motor protection: YES
Temperature: _____		Thermal protection: external
NPSH required: _____		
Viscosity: _____		
Specific Gravity: _____		



Count	Description
1	<p data-bbox="298 415 699 443">CUE 3X380-500V IP55 55KW 106A/</p> <div data-bbox="407 506 565 810"></div> <p data-bbox="686 842 1138 869">Product photo could vary from the actual product</p> <p data-bbox="298 875 574 903">Product No.: On request</p> <p data-bbox="298 934 1404 1035">CUE is a complete range of external frequency converters designed for speed control of a wide range of Grundfos pumps. CUE has a built-in PI controller and offers the same functionality and user-interface as Grundfos E-pumps. CUE solutions can thus be seen as an extension to the E-pump range.</p> <p data-bbox="298 1050 984 1077">By choosing a CUE-solution, you will get the following benefits:</p> <ul data-bbox="337 1079 1300 1253" style="list-style-type: none">- Grundfos E-pump functionality and user-interface- application- and pump-family-related functions- increased comfort compared to fixed-speed pumps- very easy installation and commissioning compared to standard frequency converters- speed control of pumps up to 250 kW- speed control of pumps installed in potentially explosive environments. <p data-bbox="298 1283 764 1310">CUE offers the following inputs and output:</p> <ul data-bbox="337 1312 1130 1459" style="list-style-type: none">- RS-485 GENibus- an analog 0-10 V input for external setpoint- an analog 0/4-20 mA input for sensor- four digital inputs for various functions, for instance external start/stop- two signal relays (C/NO/NC). <p data-bbox="298 1493 440 1520">Accessories:</p> <p data-bbox="298 1522 583 1549">Input/output add-on board</p> <p data-bbox="298 1551 574 1579">Provides additional input:</p> <ul data-bbox="337 1581 1300 1669" style="list-style-type: none">- one 0/4-20 mA analog input for an additional sensor- one 0-20 mA analog output- two inputs for Pt100/Pt1000 temperature sensors, for instance for bearing monitoring. <p data-bbox="298 1703 435 1730">Motor filters:</p> <p data-bbox="298 1732 1404 1785">For reduction of dU/dt and peak voltages to the motor windings and for reduction of the acoustic noise generated in the motor, a number of motor filters are offered:</p> <ul data-bbox="337 1787 711 1843" style="list-style-type: none">- dU/dt filters , 11-250 kW- Sine wave filters, 0.55-250 kW.



Company name:

Created by:

Phone:

Date:

5/27/2020

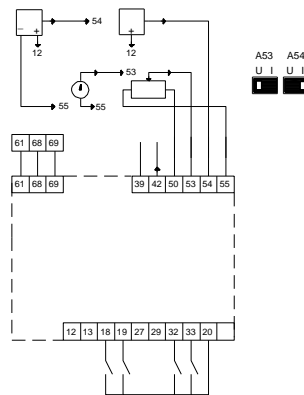
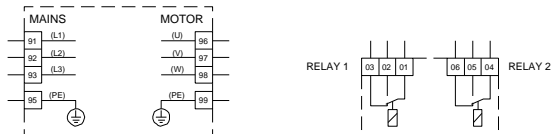
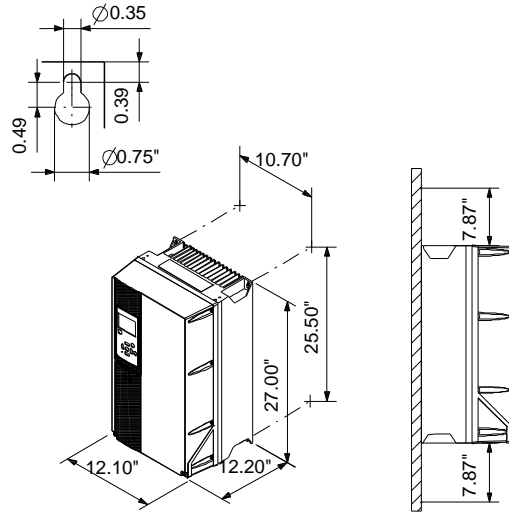
Count	Description
	<p>Technical: Approvals on nameplate: CE, CULUS, C-TICK</p> <p>Installation: Range of ambient temperature: 32 .. 113 °F Relative humidity: 5-95 %</p> <p>Electrical data: Rated power - P2: 75 HP Main frequency: 50 / 60 Hz Rated voltage: 3 x 380 - 440 / 441 - 500 V Rated current: 106-105 A Maximum current consumption: 106 A Efficiency at full load: 98 % Enclosure class (IEC 34-5): IP55</p> <p>Others: Net weight: 99.2 lb Finnish LVI No.: 9414016 Country of origin: DK Custom tariff no.: 8504.40.4000</p>



Company name:
Created by:
Phone:

Date: 5/27/2020

Description	Value
General information:	
Product name:	CUE 3X380-500V IP55 55KW 106A/
Product No.:	On request
EAN:	On request
	On request
Technical:	
Approvals on nameplate:	CE, CULUS, C-TICK
Installation:	
Range of ambient temperature:	32 .. 113 °F
Relative humidity:	5-95 %
Mounted on:	Wall
Electrical data:	
Rated power - P2:	75 HP
Main frequency:	50 / 60 Hz
Rated voltage:	3 x 380 - 440 / 441 - 500 V
Rated current:	106-105 A
Maximum current consumption:	106 A
Efficiency at full load:	98 %
Enclosure class (IEC 34-5):	IP55
Motor protection:	YES
Thermal protec:	external
Cable length:	150/300 m
Others:	
Net weight:	99.2 lb
Finnish LVI No.:	9414016
Country of origin:	DK
Custom tariff no.:	8504.40.4000

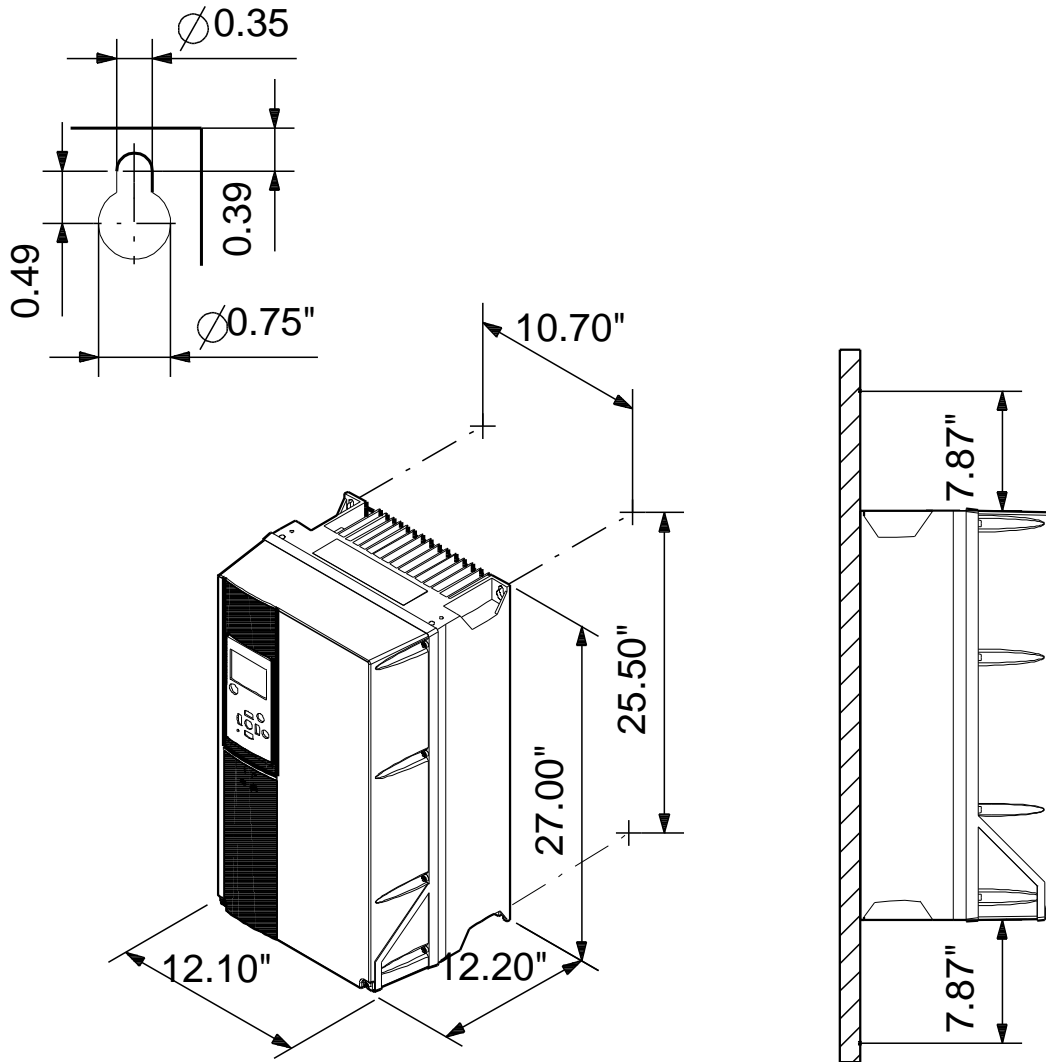




Company name:
Created by:
Phone:

Date: 5/27/2020

On request CUE 3X380-500V IP55 55KW 106A/



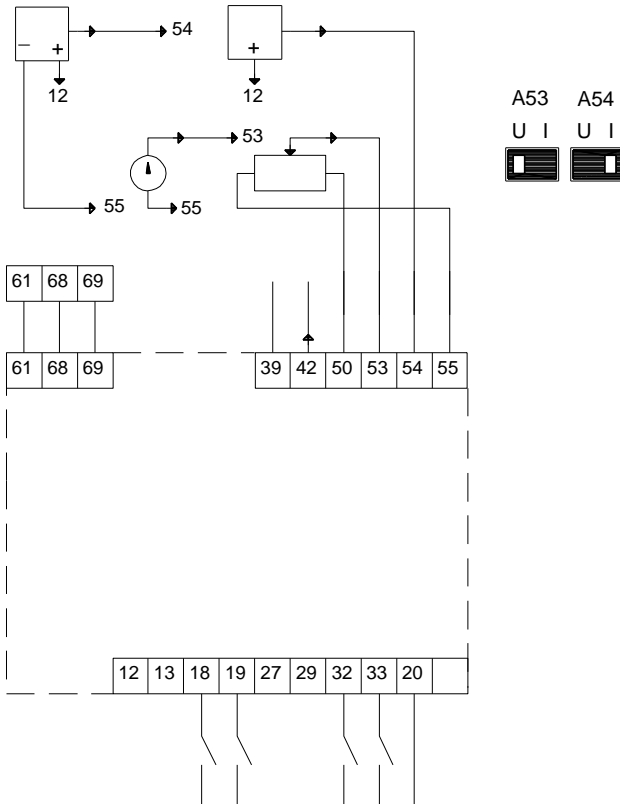
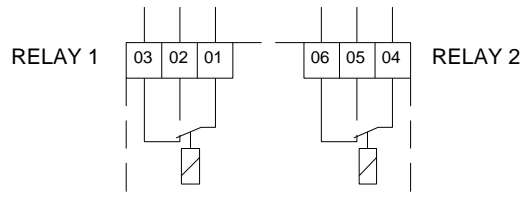
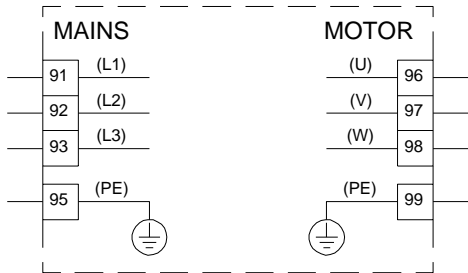
Note! All units are in [in] unless otherwise stated.
Disclaimer: This simplified dimensional drawing does not show all details.



Company name:
Created by:
Phone:

Date: 5/27/2020

On request CUE 3X380-500V IP55 55KW 106A/



All units are [in] unless otherwise presented.