

PROJECT: _____	UNIT TAG: _____	QUANTITY: _____
REPRESENTATIVE: _____	TYPE OF SERVICE: _____	DATE: _____
ENGINEER: _____	SUBMITTED BY: _____	DATE: _____
CONTRACTOR: _____	APPROVED BY: _____	DATE: _____
	ORDER NO.: _____	DATE: _____

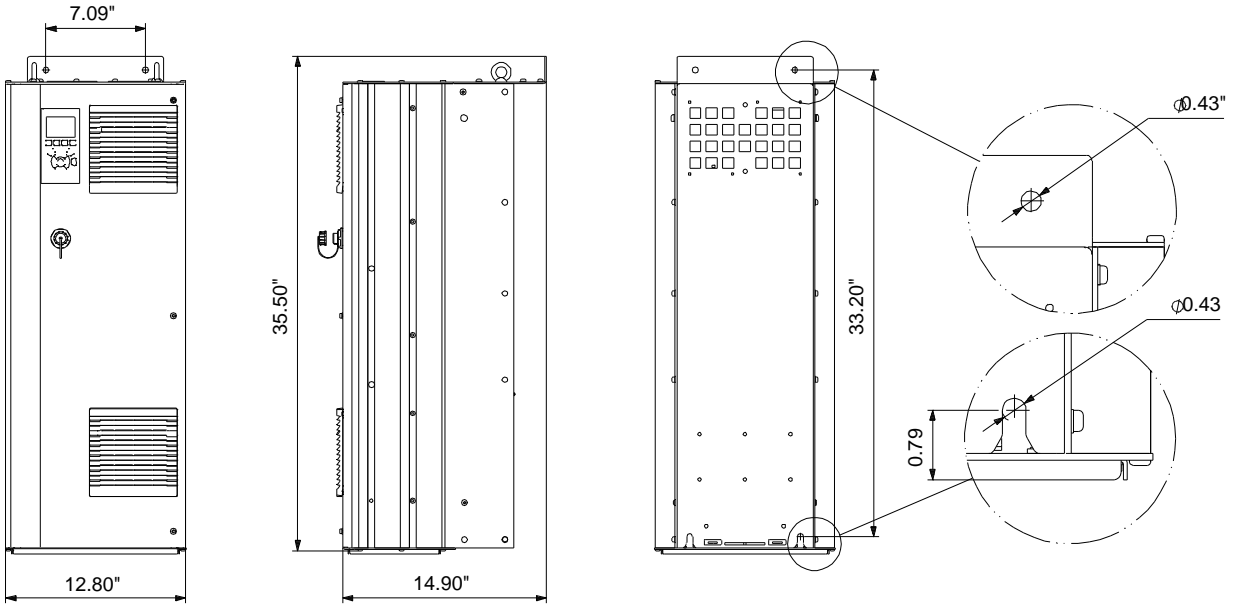



**CUE 3X380-500V IP54 110KW**

CUE

Product photo could vary from the actual product

Conditions of Service	Pump Data	Motor Data
Flow: _____	Maximum ambient temperature: 104 °F	Rated voltage: 380 - 440 / 441 - 500 V
Head: _____	Approvals: CE, CULUS, C-TICK	Main frequency: 60 Hz
Efficiency: _____	Product number: On request	Enclosure class: IP54
Liquid: _____		Motor protection: YES
Temperature: _____		Thermal protection: external
NPSH required: _____		
Viscosity: _____		
Specific Gravity: _____		



Count	Description
1	<p data-bbox="298 415 641 443"><b>CUE 3X380-500V IP54 110KW</b></p> <div data-bbox="418 485 555 779" style="text-align: center;">  </div> <p data-bbox="686 795 1138 821" style="text-align: center;"><b>Product photo could vary from the actual product</b></p> <p data-bbox="298 827 574 854">Product No.: On request</p> <p data-bbox="298 886 1404 989">CUE is a complete range of external frequency converters designed for speed control of a wide range of Grundfos pumps. CUE has a built-in PI controller and offers the same functionality and user-interface as Grundfos E-pumps. CUE solutions can thus be seen as an extension to the E-pump range.</p> <p data-bbox="298 999 984 1026">By choosing a CUE-solution, you will get the following benefits:</p> <ul data-bbox="337 1031 1300 1205" style="list-style-type: none"> <li>- Grundfos E-pump functionality and user-interface</li> <li>- application- and pump-family-related functions</li> <li>- increased comfort compared to fixed-speed pumps</li> <li>- very easy installation and commissioning compared to standard frequency converters</li> <li>- speed control of pumps up to 250 kW</li> <li>- speed control of pumps installed in potentially explosive environments.</li> </ul> <p data-bbox="298 1236 764 1264">CUE offers the following inputs and output:</p> <ul data-bbox="337 1268 1128 1413" style="list-style-type: none"> <li>- RS-485 GENibus</li> <li>- an analog 0-10 V input for external setpoint</li> <li>- an analog 0/4-20 mA input for sensor</li> <li>- four digital inputs for various functions, for instance external start/stop</li> <li>- two signal relays (C/NO/NC).</li> </ul> <p data-bbox="298 1444 440 1472">Accessories:</p> <p data-bbox="298 1476 583 1503">Input/output add-on board</p> <p data-bbox="298 1507 574 1535">Provides additional input:</p> <ul data-bbox="337 1539 1300 1621" style="list-style-type: none"> <li>- one 0/4-20 mA analog input for an additional sensor</li> <li>- one 0-20 mA analog output</li> <li>- two inputs for Pt100/Pt1000 temperature sensors, for instance for bearing monitoring.</li> </ul> <p data-bbox="298 1652 435 1680">Motor filters:</p> <p data-bbox="298 1684 1404 1734">For reduction of dU/dt and peak voltages to the motor windings and for reduction of the acoustic noise generated in the motor, a number of motor filters are offered:</p> <ul data-bbox="337 1738 712 1797" style="list-style-type: none"> <li>- dU/dt filters , 11-250 kW</li> <li>- Sine wave filters, 0.55-250 kW.</li> </ul> <p data-bbox="298 1829 423 1856"><b>Technical:</b></p> <p data-bbox="298 1860 886 1887">Approvals on nameplate: CE, CULUS, C-TICK</p>



Company name:

Created by:

Phone:

Date:

5/27/2020

Count	Description
	<p data-bbox="298 415 440 443"><b>Installation:</b></p> <p data-bbox="298 445 786 472">Range of ambient temperature: 32 .. 104 °F</p> <p data-bbox="298 474 737 501">Relative humidity: 5-95 %</p> <p data-bbox="298 533 477 560"><b>Electrical data:</b></p> <p data-bbox="298 562 737 590">Rated power - P2: 150 HP</p> <p data-bbox="298 592 721 619">Main frequency: 60 Hz</p> <p data-bbox="298 621 948 648">Rated voltage: 3 x 380 - 440 / 441 - 500 V</p> <p data-bbox="298 651 769 678">Rated current: 212-190 A</p> <p data-bbox="298 680 721 707">Maximum current consumption: 212 A</p> <p data-bbox="298 709 721 737">Efficiency at full load: 98 %</p> <p data-bbox="298 739 704 766">Enclosure class (IEC 34-5): IP54</p> <p data-bbox="298 798 380 825"><b>Others:</b></p> <p data-bbox="298 827 721 854">Net weight: 137 lb</p>



Company name:

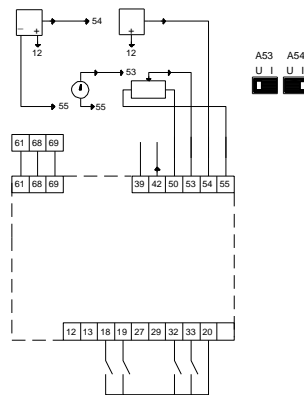
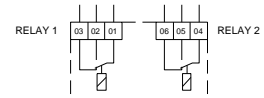
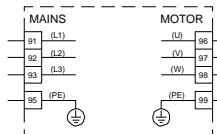
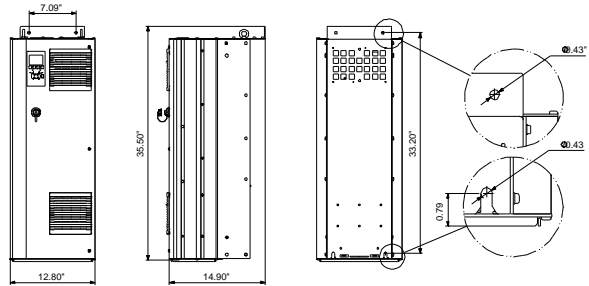
Created by:

Phone:

Date:

5/27/2020

Description	Value
<b>General information:</b>	
Product name:	CUE 3X380-500V IP54 110KW
Product No.:	On request
EAN:	On request
	On request
<b>Technical:</b>	
Approvals on nameplate:	CE, CULUS, C-TICK
<b>Installation:</b>	
Range of ambient temperature:	32 .. 104 °F
Relative humidity:	5-95 %
Mounted on:	WALL / FLOOR
<b>Electrical data:</b>	
Rated power - P2:	150 HP
Main frequency:	60 Hz
Rated voltage:	3 x 380 - 440 / 441 - 500 V
Rated current:	212-190 A
Maximum current consumption:	212 A
Efficiency at full load:	98 %
Enclosure class (IEC 34-5):	IP54
Motor protection:	YES
Thermal protec:	external
Cable length:	150/300 m
<b>Others:</b>	
Net weight:	137 lb

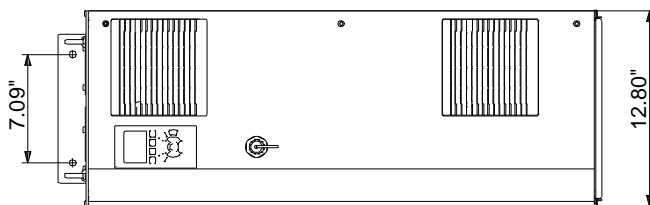
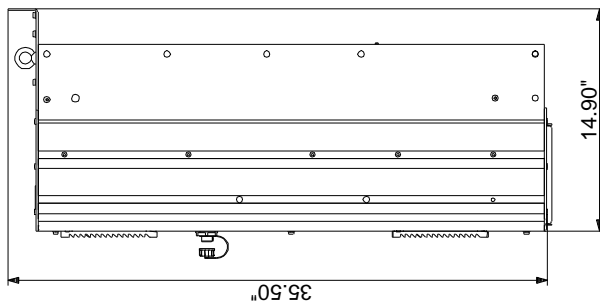
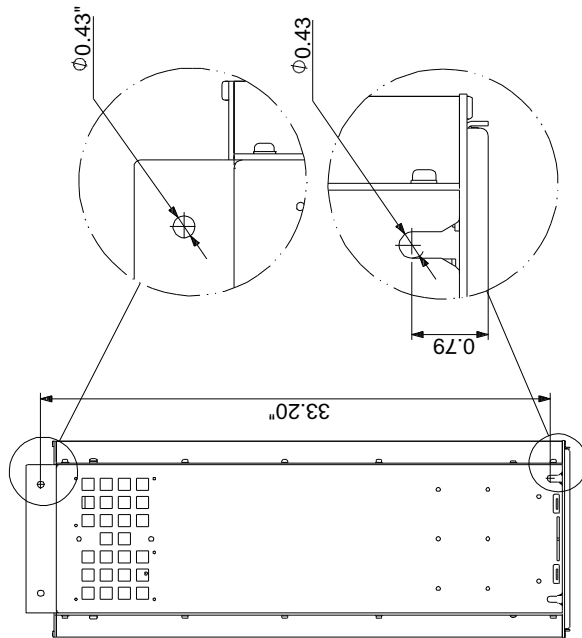




Company name:  
Created by:  
Phone:

Date: 5/27/2020

### On request CUE 3X380-500V IP54 110KW 60 Hz



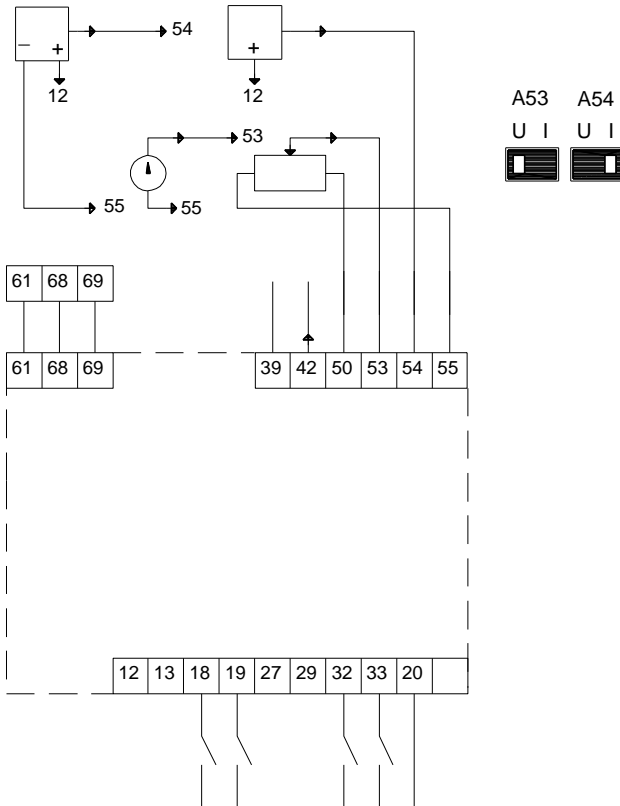
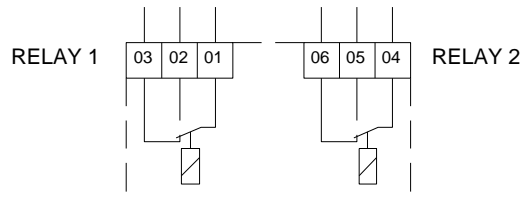
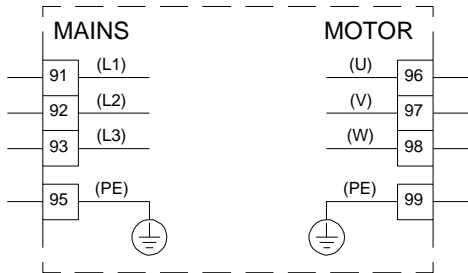
Note! All units are in [in] unless otherwise stated.  
Disclaimer: This simplified dimensional drawing does not show all details.



Company name:  
Created by:  
Phone:

Date: 5/27/2020

**On request CUE 3X380-500V IP54 110KW 60 Hz**



All units are [in] unless otherwise presented.