


Count	Description
1	<p data-bbox="225 338 536 367">CRN 1S-21 A-P-A-E-HQQE</p>  <p data-bbox="225 663 491 692">Product No.: 96081621</p> <p data-bbox="225 694 751 779">Vertical, non-self-priming, multistage, in-line, centrifugal pump for installation in pipe systems and mounting on a foundation.</p> <p data-bbox="225 808 703 837">The pump has the following characteristics:</p> <ul data-bbox="264 840 783 1016" style="list-style-type: none"> - Impellers, intermediate chambers and outer sleeve are made of - Pump head cover and base are made of - The shaft seal has assembly length according to EN 12756. - Power transmission is via cast iron split coupling. <p data-bbox="225 1046 427 1075">flanges/couplings.</p> <p data-bbox="225 1106 603 1135">The motor is a 3-phase AC motor.</p> <p data-bbox="225 1167 336 1196">Controls:</p> <p data-bbox="225 1198 663 1227">Frequency converter: NONE</p> <p data-bbox="225 1258 312 1288">Liquid:</p> <p data-bbox="225 1290 663 1319">Pumped liquid: Water</p> <p data-bbox="225 1321 715 1350">Liquid temperature range: -4 .. 248 °F</p> <p data-bbox="225 1352 651 1382">Selected liquid temperature: 68 °F</p> <p data-bbox="225 1384 711 1413">Density: 62.29 lb/ft³</p> <p data-bbox="225 1444 352 1473">Technical:</p> <p data-bbox="225 1476 699 1505">Rated pump speed: 3466 rpm</p> <p data-bbox="225 1507 735 1536">Rated flow: 4.84 US gpm</p> <p data-bbox="225 1538 676 1568">Rated head: 393.7 ft</p> <p data-bbox="225 1570 676 1599">Pump orientation: Vertical</p> <p data-bbox="225 1601 663 1630">Shaft seal arrangement: Single</p> <p data-bbox="225 1632 663 1662">Code for shaft seal: HQQE</p> <p data-bbox="225 1664 762 1693">Approvals on nameplate: CURUS,NSF61</p> <p data-bbox="225 1695 788 1724">Curve tolerance: ISO9906:2012 3B</p> <p data-bbox="225 1756 344 1785">Materials:</p> <p data-bbox="225 1787 751 1850">Base: Stainless steel EN 1.4408 AISI 316</p> <p data-bbox="225 1852 751 1935">Impeller: Stainless steel EN 1.4401 AISI 316</p> <p data-bbox="225 1937 635 1966">Bearing: SIC</p> <p data-bbox="225 1998 368 2027">Installation:</p> <p data-bbox="225 2029 663 2058">Maximum ambient temperature: 140 °F</p> <p data-bbox="225 2060 707 2089">Maximum operating pressure: 362.59 psi</p>

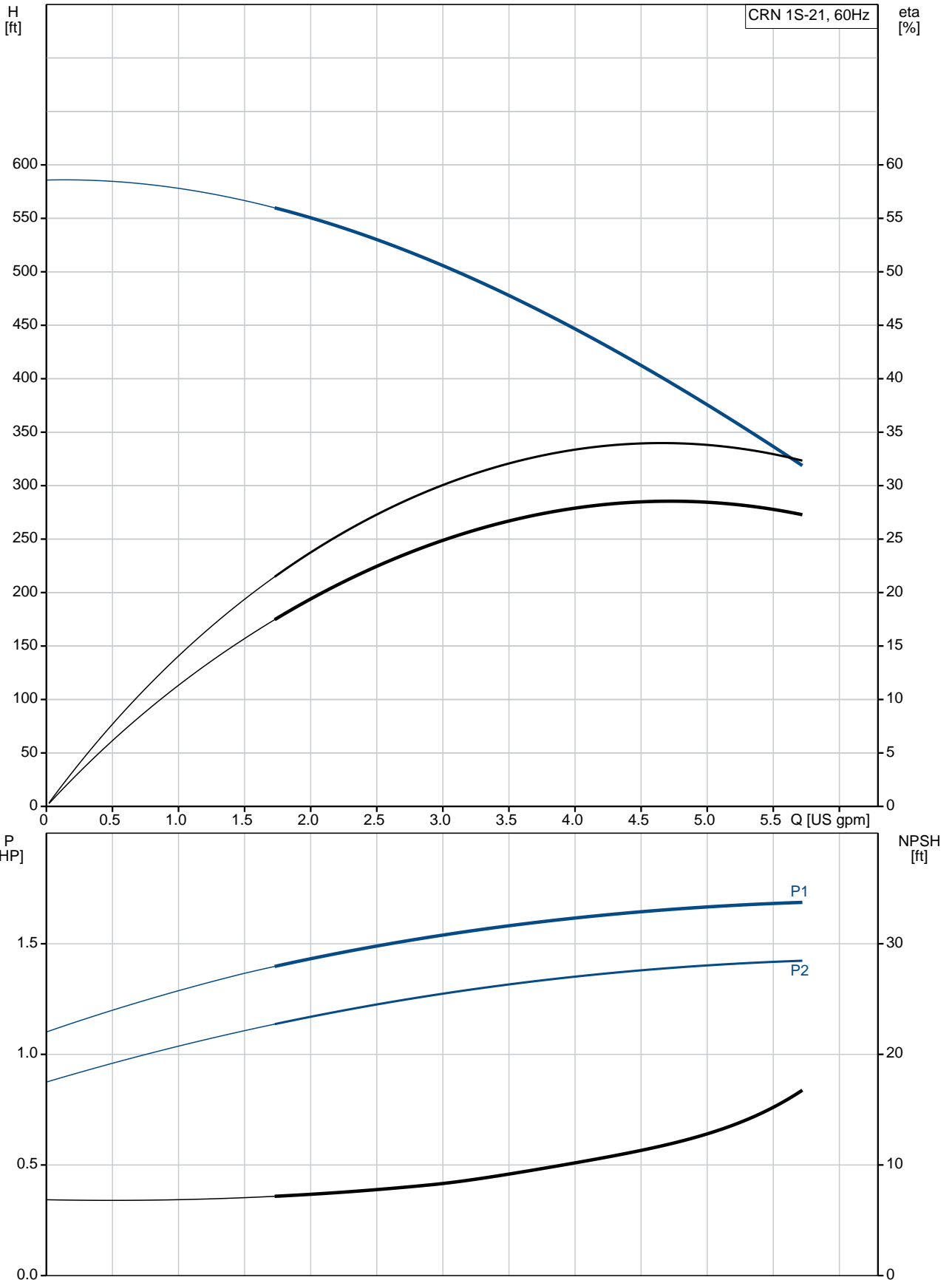
Count	Description
	<p>Max pressure at stated temperature: 363 psi / 250 °F 363 psi / -4 °F</p> <p>Type of connection: PJE Size of inlet connection: DN 32 Size of suction port: 1 1/4 inch Size of outlet connection: DN 32 Size of outlet port: 1 1/4 inch Pressure rating for pipe connection: PN 50 Flange size for motor: 56C</p> <p>Electrical data:</p> <p>Motor standard: NEMA Motor type: 80CA IE Efficiency class: NEMA Premium / IE3 60Hz Rated power - P2: 1.5 HP Power (P2) required by pump: 1.5 HP Main frequency: 60 Hz Rated voltage: 3 x 208-230YY/460Y V Service factor: 1.15 Rated current: 4,45-4,3/2,16 A Starting current: 720 % Cos phi - power factor: 0.84-0.78 Rated speed: 3440-3480 rpm IE efficiency: IE3 84,1% Motor efficiency at full load: 84.9 % Motor efficiency at 3/4 load: 81.0 % Motor efficiency at 1/2 load: 78.5 % Number of poles: 2 Enclosure class (IEC 34-5): 55 Dust/Jetting Insulation class (IEC 85): F Motor Number: 98976607</p> <p>Others:</p> <p>Net weight: 58.6 lb Gross weight: 73.1 lb Shipping volume: 8.26 ft³ Country of origin: US Custom tariff no.: 8413.70.2040</p>



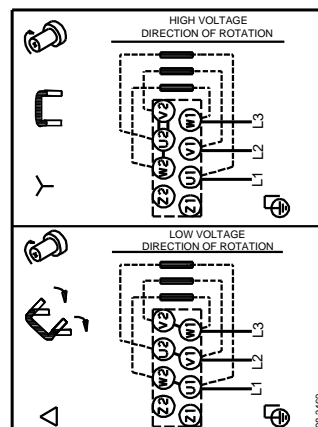
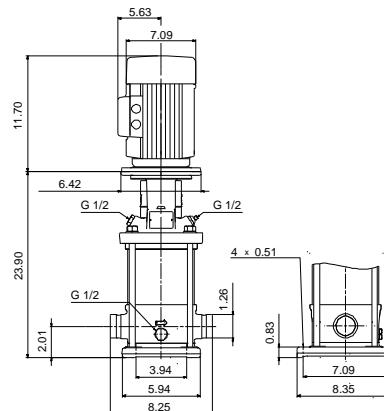
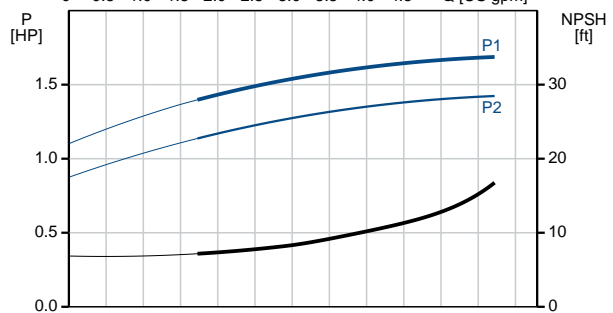
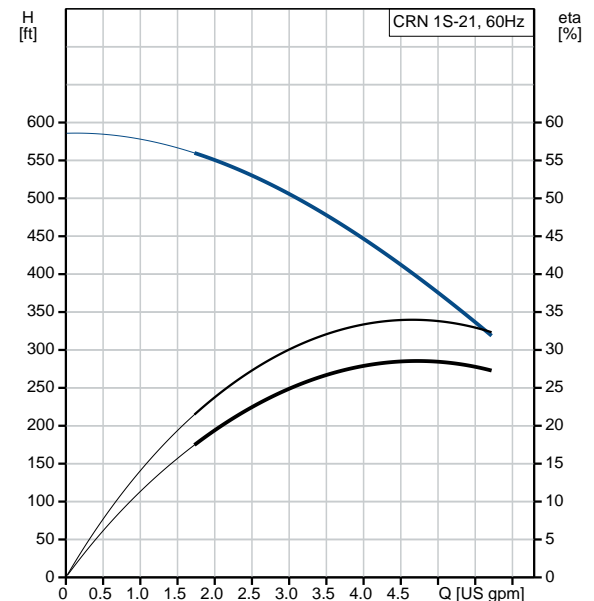
Company name:
Created by:
Phone:

Date: 8/6/2019

96081621 CRN 1S-21 A-P-A-E-HQQE 60 Hz



Description	Value
General information:	
Product name:	CRN 1S-21 A-P-A-E-HQQE
Product No.:	96081621
EAN:	5700395160659
Technical:	
Rated pump speed:	3466 rpm
Rated flow:	4.84 US gpm
Rated head:	393.7 ft
Head max:	588.9 ft
Stages:	21
Impellers:	21
Number of reduced-diameter impellers:	0
Low NPSH:	N
Pump orientation:	Vertical
Shaft seal arrangement:	Single
Code for shaft seal:	HQQE
Approvals on nameplate:	CURUS,NSF61
Curve tolerance:	ISO9906:2012 3B
Pump version:	A
Model:	A
Cooling:	TEFC
Materials:	
Base:	Stainless steel EN 1.4408 AISI 316
Impeller:	Stainless steel EN 1.4401 AISI 316
Material code:	A
Code for rubber:	E
Bearing:	SIC
Installation:	
Maximum ambient temperature:	140 °F
Maximum operating pressure:	362.59 psi
Max pressure at stated temperature:	363 psi / 250 °F 363 psi / -4 °F
Type of connection:	PJE
Size of inlet connection:	DN 32
Size of suction port:	1 1/4 inch
Size of outlet connection:	DN 32
Size of outlet port:	1 1/4 inch
Pressure rating for pipe connection:	PN 50
Flange size for motor:	56C
Connect code:	P </td
Liquid:	
Pumped liquid:	Water
Liquid temperature range:	-4 .. 248 °F
Selected liquid temperature:	68 °F
Density:	62.29 lb/ft³
Electrical data:	
Motor standard:	NEMA
Motor type:	80CA
IE Efficiency class:	NEMA Premium / IE3 60Hz
Rated power - P2:	1.5 HP
Power (P2) required by pump:	1.5 HP
Main frequency:	60 Hz





Company name:

Created by:

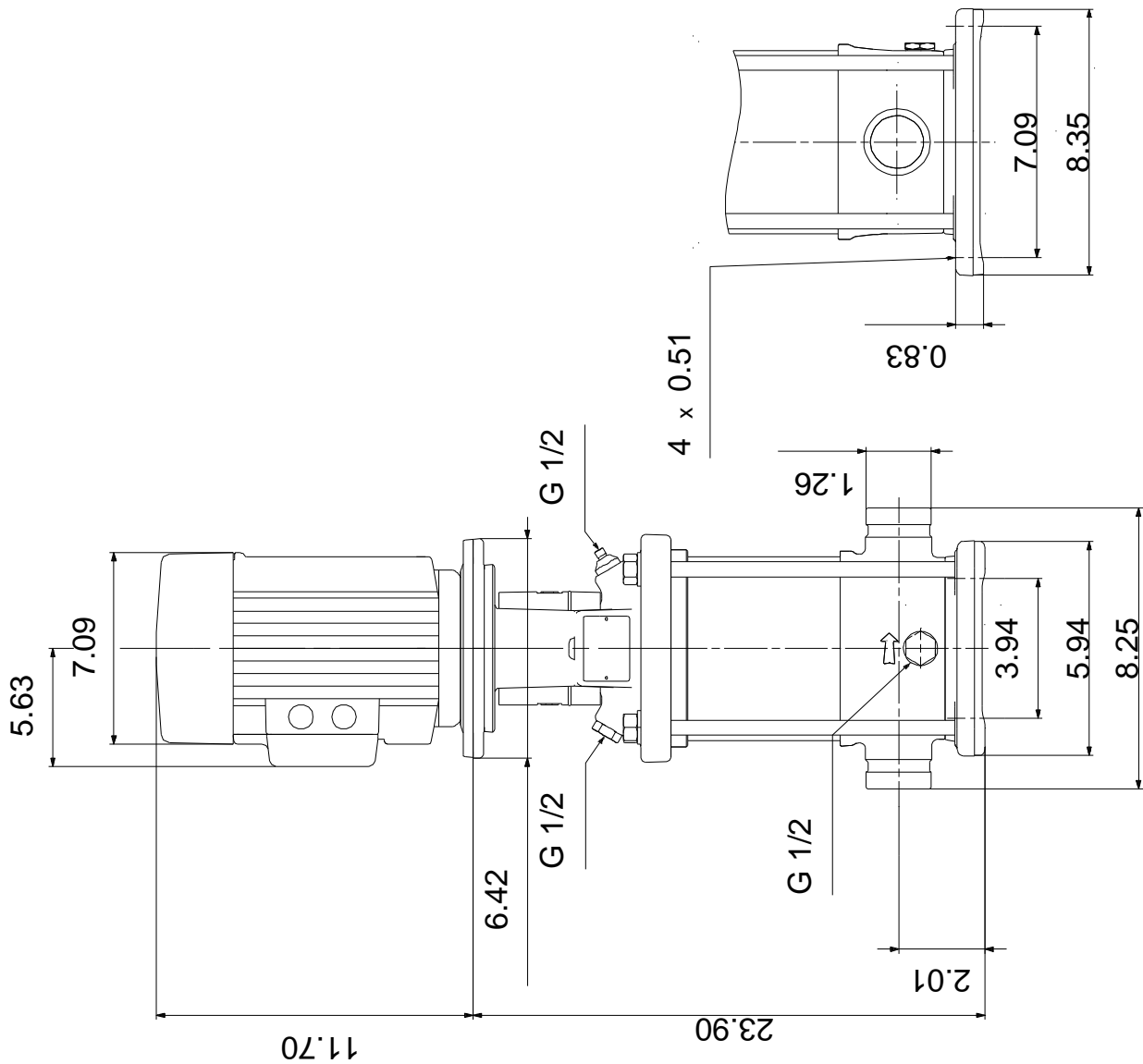
Phone:

Date:

8/6/2019

Description	Value
Rated voltage:	3 x 208-230YY/460Y V
Service factor:	1.15
Rated current:	4,45-4,3/2,16 A
Starting current:	720 %
Load current:	5,1-4,95/2,48 A
Cos phi - power factor:	0.84-0.78
Rated speed:	3440-3480 rpm
IE efficiency:	IE3 84,1%
Motor efficiency at full load:	84.9 %
Motor efficiency at 3/4 load:	81.0 %
Motor efficiency at 1/2 load:	78.5 %
Number of poles:	2
Enclosure class (IEC 34-5):	55 Dust/Jetting
Insulation class (IEC 85):	F
Motor protection:	NONE
Motor Number:	98976607
Controls:	
Frequency converter:	NONE
Others:	
Net weight:	58.6 lb
Gross weight:	73.1 lb
Shipping volume:	8.26 ft ³
Country of origin:	US
Custom tariff no.:	8413.70.2040

96081621 CRN 1S-21 A-P-A-E-HQQE 60 Hz



Note! All units are in [in] unless otherwise stated.
 Disclaimer: This simplified dimensional drawing does not show all details.

96081621 CRN 1S-21 A-P-A-E-HQQE 60 Hz



98.3169

All units are [in] unless otherwise presented.