


Count	Description
1	<p data-bbox="225 342 536 365">CRN 1S-27 A-P-A-E-HQQE</p>  <p data-bbox="225 663 491 685">Product No.: 96081627</p> <p data-bbox="225 692 746 775">Vertical, non-self-priming, multistage, in-line, centrifugal pump for installation in pipe systems and mounting on a foundation.</p> <p data-bbox="225 808 699 837">The pump has the following characteristics:</p> <ul data-bbox="264 842 778 1016" style="list-style-type: none"> - Impellers, intermediate chambers and outer sleeve are made of - Pump head cover and base are made of - The shaft seal has assembly length according to EN 12756. - Power transmission is via cast iron split coupling. <p data-bbox="225 1048 424 1077">flanges/couplings.</p> <p data-bbox="225 1108 600 1137">The motor is a 3-phase AC motor.</p> <p data-bbox="225 1169 336 1198">Controls:</p> <p data-bbox="225 1200 660 1229">Frequency converter: NONE</p> <p data-bbox="225 1261 312 1290">Liquid:</p> <p data-bbox="225 1292 660 1321">Pumped liquid: Water</p> <p data-bbox="225 1323 711 1352">Liquid temperature range: -4 .. 248 °F</p> <p data-bbox="225 1355 651 1384">Selected liquid temperature: 68 °F</p> <p data-bbox="225 1386 708 1415">Density: 62.29 lb/ft³</p> <p data-bbox="225 1447 347 1476">Technical:</p> <p data-bbox="225 1478 695 1507">Rated pump speed: 3452 rpm</p> <p data-bbox="225 1509 735 1538">Rated flow: 4.84 US gpm</p> <p data-bbox="225 1541 676 1570">Rated head: 496.1 ft</p> <p data-bbox="225 1572 676 1601">Pump orientation: Vertical</p> <p data-bbox="225 1603 660 1632">Shaft seal arrangement: Single</p> <p data-bbox="225 1635 660 1664">Code for shaft seal: HQQE</p> <p data-bbox="225 1666 759 1695">Approvals on nameplate: CURUS,NSF61</p> <p data-bbox="225 1697 788 1727">Curve tolerance: ISO9906:2012 3B</p> <p data-bbox="225 1758 341 1787">Materials:</p> <p data-bbox="225 1789 751 1850">Base: Stainless steel EN 1.4408 AISI 316</p> <p data-bbox="225 1852 751 1912">Impeller: Stainless steel EN 1.4401 AISI 316</p> <p data-bbox="225 1915 632 1944">Bearing: SIC</p> <p data-bbox="225 1975 363 2004">Installation:</p> <p data-bbox="225 2007 660 2036">Maximum ambient temperature: 140 °F</p> <p data-bbox="225 2038 703 2067">Maximum operating pressure: 362.59 psi</p>

Count	Description
	<p>Max pressure at stated temperature: 363 psi / 250 °F 363 psi / -4 °F</p> <p>Type of connection: PJE Size of inlet connection: DN 32 Size of suction port: 1 1/4 inch Size of outlet connection: DN 32 Size of outlet port: 1 1/4 inch Pressure rating for pipe connection: PN 50 Flange size for motor: 56C</p> <p>Electrical data:</p> <p>Motor standard: NEMA Motor type: 90CC IE Efficiency class: NEMA Premium / IE3 60Hz Rated power - P2: 2 HP Power (P2) required by pump: 2 HP Main frequency: 60 Hz Rated voltage: 3 x 208-230YY/460Y V Service factor: 1.15 Rated current: 5,70-5,40/2,70 A Starting current: 810-900 % Cos phi - power factor: 0.88-0.84 Rated speed: 3480-3510 rpm IE efficiency: IE3 85,5% Motor efficiency at full load: 85.5 % Motor efficiency at 3/4 load: 85.0 % Motor efficiency at 1/2 load: 83.0 % Number of poles: 2 Enclosure class (IEC 34-5): 55 Dust/Jetting Insulation class (IEC 85): F Motor Number: 85900705</p> <p>Others:</p> <p>Net weight: 85.4 lb Gross weight: 103 lb Shipping volume: 10.1 ft³ Country of origin: US Custom tariff no.: 8413.70.2040</p>



Company name:

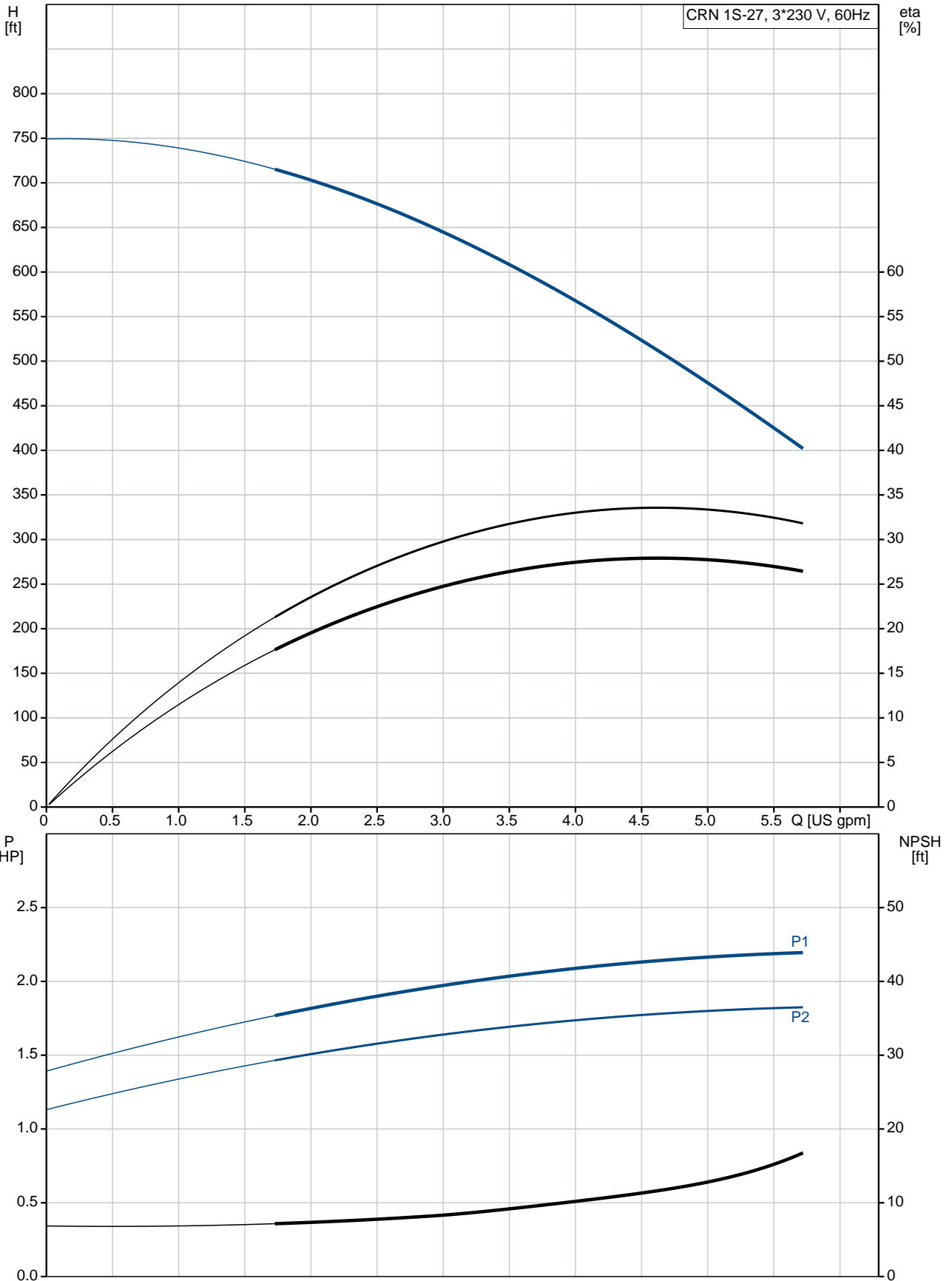
Created by:

Phone:

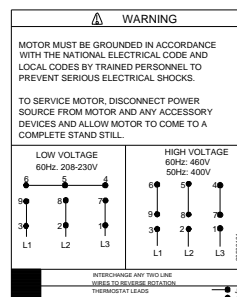
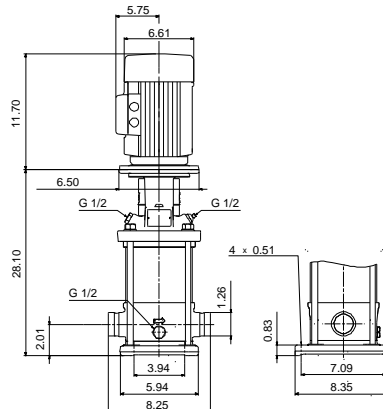
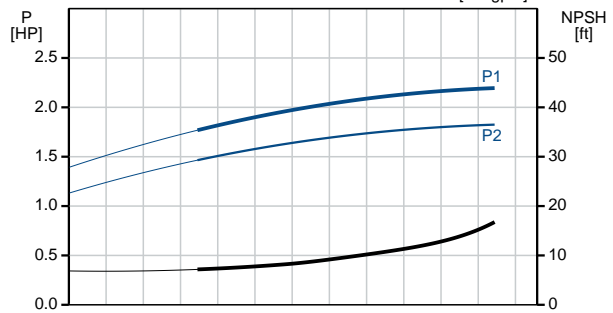
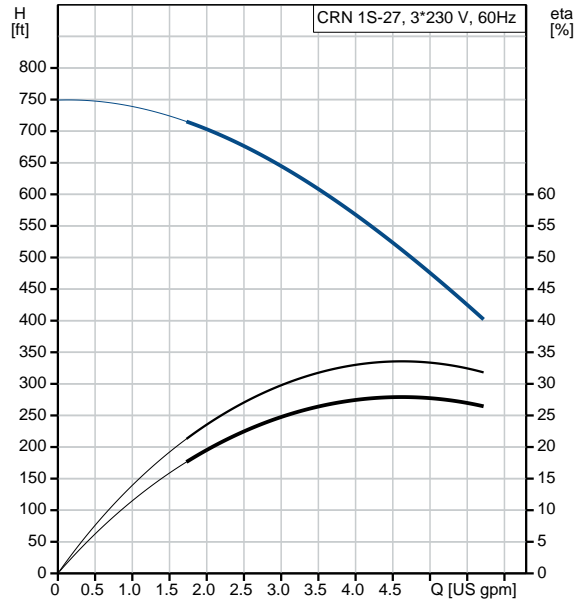
Date:

8/6/2019

96081627 CRN 1S-27 A-P-A-E-HQQE 60 Hz



Description	Value
General information:	
Product name:	CRN 1S-27 A-P-A-E-HQQE
Product No.:	96081627
EAN:	5700395160710
Technical:	
Rated pump speed:	3452 rpm
Rated flow:	4.84 US gpm
Rated head:	496.1 ft
Head max:	746.4 ft
Stages:	27
Impellers:	27
Number of reduced-diameter impellers:	0
Low NPSH:	N
Pump orientation:	Vertical
Shaft seal arrangement:	Single
Code for shaft seal:	HQQE
Approvals on nameplate:	CURUS,NSF61
Curve tolerance:	ISO9906:2012 3B
Pump version:	A
Model:	A
Cooling:	TEFC
Materials:	
Base:	Stainless steel EN 1.4408 AISI 316
Impeller:	Stainless steel EN 1.4401 AISI 316
Material code:	A
Code for rubber:	E
Bearing:	SIC
Installation:	
Maximum ambient temperature:	140 °F
Maximum operating pressure:	362.59 psi
Max pressure at stated temperature:	363 psi / 250 °F 363 psi / -4 °F
Type of connection:	PJE
Size of inlet connection:	DN 32
Size of suction port:	1 1/4 inch
Size of outlet connection:	DN 32
Size of outlet port:	1 1/4 inch
Pressure rating for pipe connection:	PN 50
Flange size for motor:	56C
Connect code:	P
Liquid:	
Pumped liquid:	Water
Liquid temperature range:	-4 .. 248 °F
Selected liquid temperature:	68 °F
Density:	62.29 lb/ft³
Electrical data:	
Motor standard:	NEMA
Motor type:	90CC
IE Efficiency class:	NEMA Premium / IE3 60Hz
Rated power - P2:	2 HP
Power (P2) required by pump:	2 HP
Main frequency:	60 Hz





Company name:

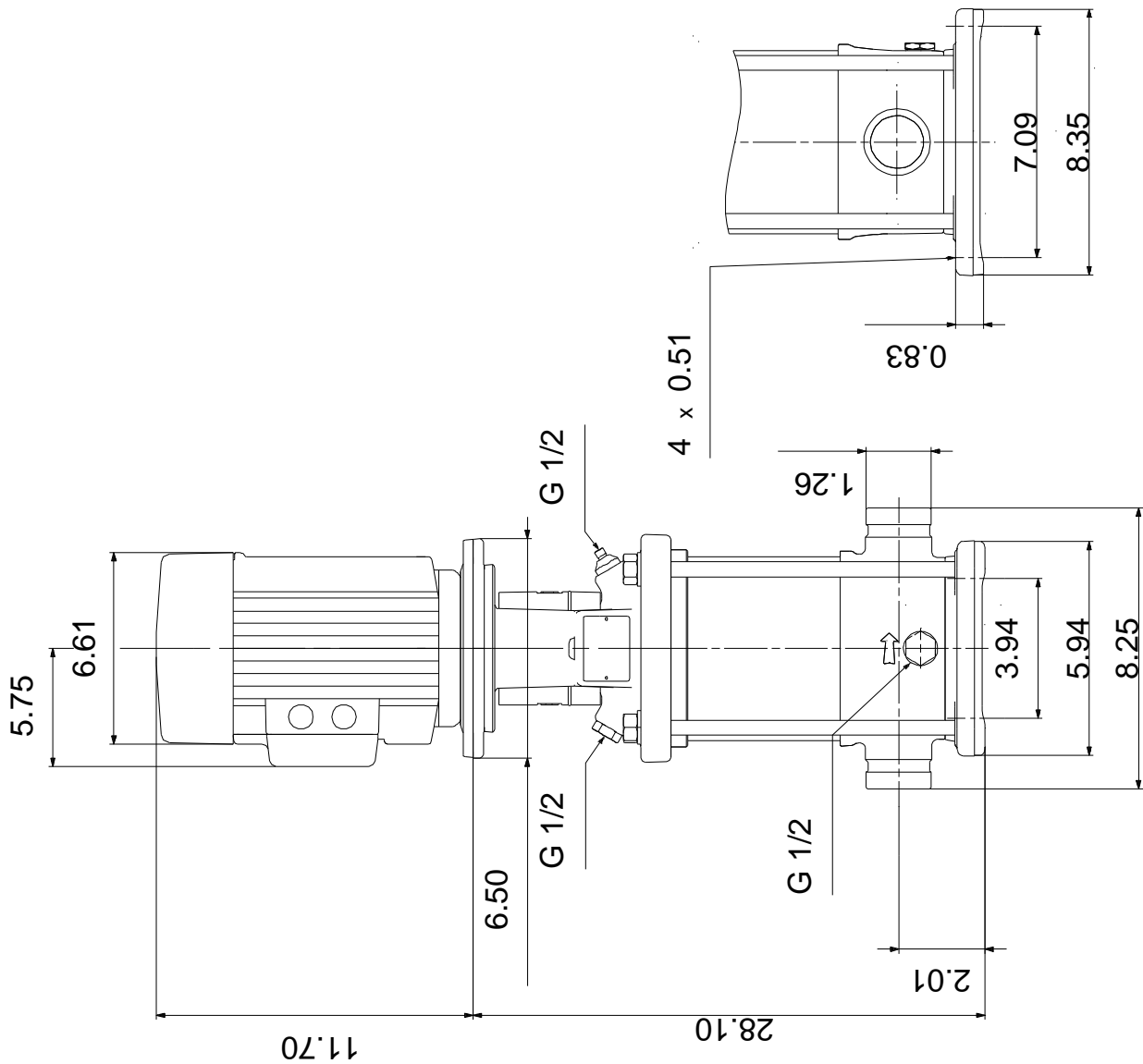
Created by:

Phone:

Date: 8/6/2019

Description	Value
Rated voltage:	3 x 208-230YY/460Y V
Service factor:	1.15
Rated current:	5,70-5,40/2,70 A
Starting current:	810-900 %
Load current:	6,55-6,1/3,05 A
Cos phi - power factor:	0.88-0.84
Rated speed:	3480-3510 rpm
IE efficiency:	IE3 85,5%
Motor efficiency at full load:	85.5 %
Motor efficiency at 3/4 load:	85.0 %
Motor efficiency at 1/2 load:	83.0 %
Number of poles:	2
Enclosure class (IEC 34-5):	55 Dust/Jetting
Insulation class (IEC 85):	F
Motor protection:	NONE
Motor Number:	85900705
Controls:	
Frequency converter:	NONE
Others:	
Net weight:	85.4 lb
Gross weight:	103 lb
Shipping volume:	10.1 ft ³
Country of origin:	US
Custom tariff no.:	8413.70.2040

96081627 CRN 1S-27 A-P-A-E-HQQE 60 Hz



Note! All units are in [in] unless otherwise stated.
 Disclaimer: This simplified dimensional drawing does not show all details.

96081627 CRN 1S-27 A-P-A-E-HQQE 60 Hz



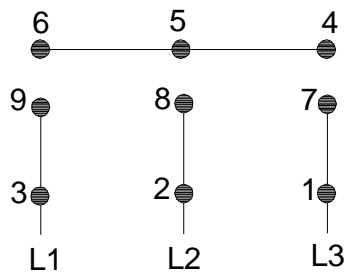
WARNING

MOTOR MUST BE GROUNDED IN ACCORDANCE WITH THE NATIONAL ELECTRICAL CODE AND LOCAL CODES BY TRAINED PERSONNEL TO PREVENT SERIOUS ELECTRICAL SHOCKS.

TO SERVICE MOTOR, DISCONNECT POWER SOURCE FROM MOTOR AND ANY ACCESSORY DEVICES AND ALLOW MOTOR TO COME TO A COMPLETE STAND STILL.

LOW VOLTAGE

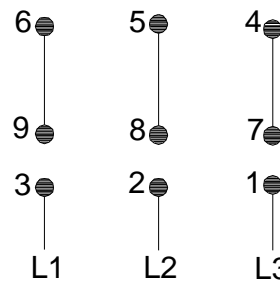
60Hz. 208-230V



HIGH VOLTAGE

60Hz: 460V

50Hz: 400V



96569464

INTERCHANGE ANY TWO LINE WIRES TO REVERSE ROTATION

THERMOSTAT LEADS (WHEN PROVIDED)

