


Count	Description
1	<p data-bbox="225 338 536 367"><b>CRN 1S-25 A-P-A-V-HQQV</b></p>  <p data-bbox="225 660 491 689">Product No.: <a href="#">96081719</a></p> <p data-bbox="225 689 748 779">Vertical, non-self-priming, multistage, in-line, centrifugal pump for installation in pipe systems and mounting on a foundation.</p> <p data-bbox="225 808 703 837">The pump has the following characteristics:</p> <ul data-bbox="264 837 782 1016" style="list-style-type: none"> <li>- Impellers, intermediate chambers and outer sleeve are made of</li> <li>- Pump head cover and base are made of</li> <li>- The shaft seal has assembly length according to EN 12756.</li> <li>- Power transmission is via cast iron split coupling.</li> </ul> <p data-bbox="225 1046 424 1075">flanges/couplings.</p> <p data-bbox="225 1106 600 1135">The motor is a 1-phase AC motor.</p> <p data-bbox="225 1167 336 1196"><b>Controls:</b></p> <p data-bbox="225 1196 660 1225">Frequency converter:                NONE</p> <p data-bbox="225 1256 312 1285"><b>Liquid:</b></p> <p data-bbox="225 1285 660 1314">Pumped liquid:                        Water</p> <p data-bbox="225 1314 715 1344">Liquid temperature range:        -4 .. 194 °F</p> <p data-bbox="225 1344 651 1373">Selected liquid temperature:      68 °F</p> <p data-bbox="225 1373 708 1402">Density:                                 62.29 lb/ft³</p> <p data-bbox="225 1433 352 1462"><b>Technical:</b></p> <p data-bbox="225 1462 695 1491">Rated pump speed:                    3499 rpm</p> <p data-bbox="225 1491 735 1520">Rated flow:                             4.84 US gpm</p> <p data-bbox="225 1520 676 1550">Rated head:                             459.7 ft</p> <p data-bbox="225 1550 676 1579">Pump orientation:                    Vertical</p> <p data-bbox="225 1579 660 1608">Shaft seal arrangement:            Single</p> <p data-bbox="225 1608 660 1637">Code for shaft seal:                 HQQV</p> <p data-bbox="225 1637 676 1666">Approvals on nameplate:         CURUS</p> <p data-bbox="225 1666 788 1695">Curve tolerance:                     ISO9906:2012 3B</p> <p data-bbox="225 1727 344 1756"><b>Materials:</b></p> <p data-bbox="225 1756 751 1845">Base:                                     Stainless steel     EN 1.4408     AISI 316</p> <p data-bbox="225 1845 751 1935">Impeller:                                Stainless steel     EN 1.4401     AISI 316</p> <p data-bbox="225 1935 632 1964">Bearing:                                 SIC</p> <p data-bbox="225 1995 368 2024"><b>Installation:</b></p> <p data-bbox="225 2024 663 2054">Maximum ambient temperature: 104 °F</p> <p data-bbox="225 2054 703 2083">Maximum operating pressure: 362.59 psi</p>



Company name:

Created by:

Phone:

Date:

8/6/2019

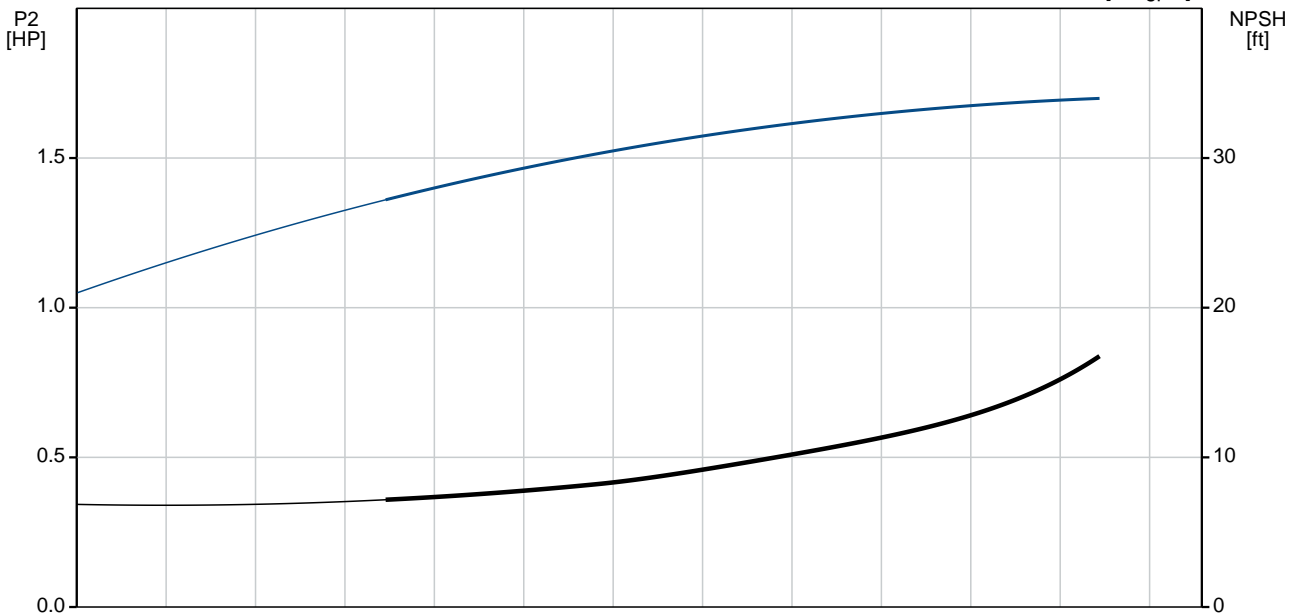
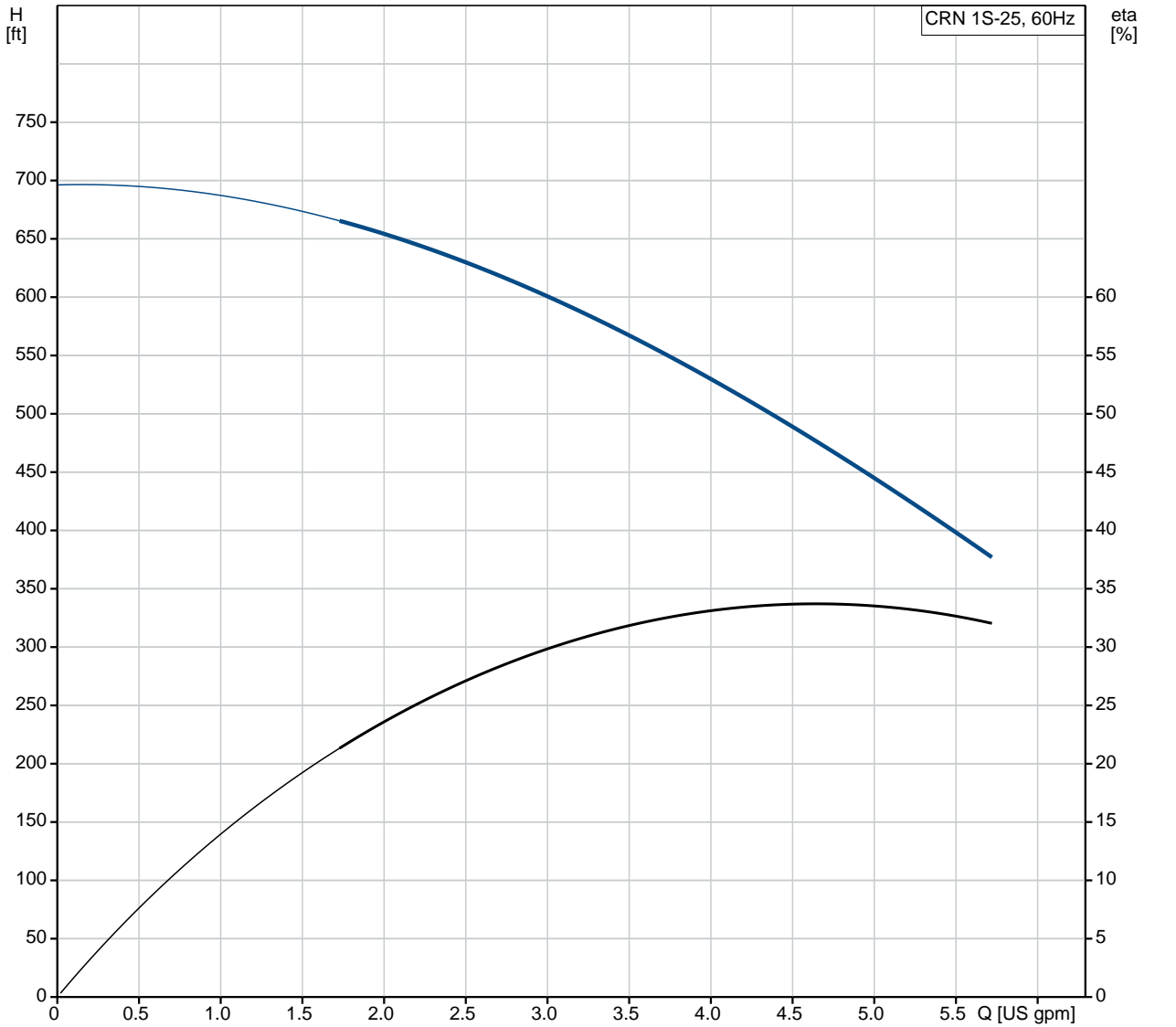
Count	Description
	Max pressure at stated temperature: 363 psi / 194 °F 363 psi / -4 °F
	Type of connection: PJE
	Size of inlet connection: DN 32
	Size of suction port: 1 1/4 inch
	Size of outlet connection: DN 32
	Size of outlet port: 1 1/4 inch
	Pressure rating for pipe connection: PN 50
	Flange size for motor: 56C
	<b>Electrical data:</b>
	Motor standard: NEMA
	Motor type: Baldor
	Rated power - P2: 2 HP
	Power (P2) required by pump: 2 HP
	Main frequency: 60 Hz
	Rated voltage: 1 x 115/208-230 V
	Service factor: 1.15
	Rated current: 23,0/12,7-11,5 A
	Rated speed: 3450 rpm
	Number of poles: 2
	Insulation class (IEC 85): F
	Motor Number: 84Z04010
	<b>Others:</b>
	Net weight: 94.1 lb
	Gross weight: 112 lb
	Shipping volume: 10.1 ft <sup>3</sup>
	Country of origin: US
	Custom tariff no.: 8413.70.2040



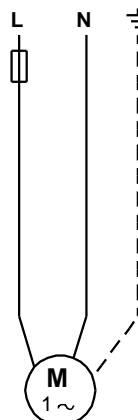
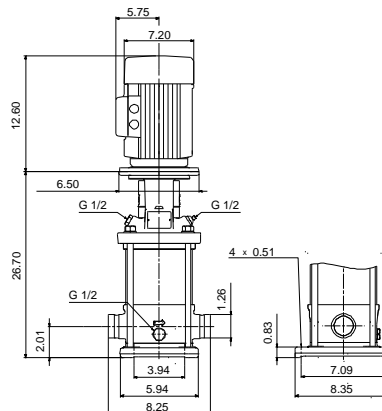
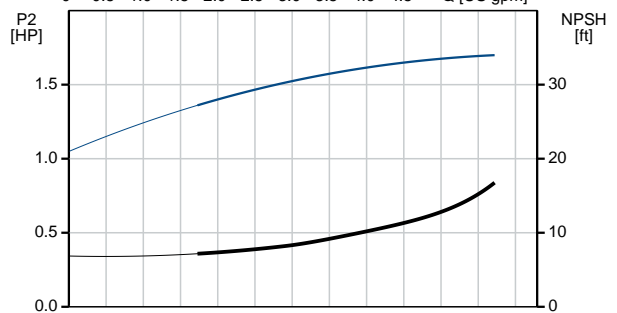
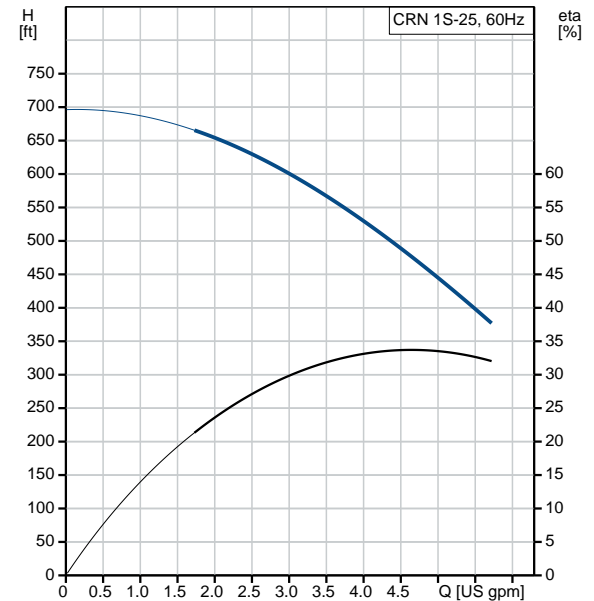
Company name:  
Created by:  
Phone:

Date: 8/6/2019

### 96081719 CRN 1S-25 A-P-A-V-HQQV 60 Hz



Description	Value
<b>General information:</b>	
Product name:	CRN 1S-25 A-P-A-V-HQQV
Product No.:	96081719
EAN:	5700395161632
<b>Technical:</b>	
Rated pump speed:	3499 rpm
Rated flow:	4.84 US gpm
Rated head:	459.7 ft
Head max:	695.9 ft
Stages:	25
Impellers:	25
Number of reduced-diameter impellers:	0
Low NPSH:	N
Pump orientation:	Vertical
Shaft seal arrangement:	Single
Code for shaft seal:	HQQV
Approvals on nameplate:	CURUS
Curve tolerance:	ISO9906:2012 3B
Pump version:	A
Model:	A
Cooling:	TEFC
<b>Materials:</b>	
Base:	Stainless steel EN 1.4408 AISI 316
Impeller:	Stainless steel EN 1.4401 AISI 316
Material code:	A
Code for rubber:	V
Bearing:	SIC
<b>Installation:</b>	
Maximum ambient temperature:	104 °F
Maximum operating pressure:	362.59 psi
Max pressure at stated temperature:	363 psi / 194 °F 363 psi / -4 °F
Type of connection:	PJE
Size of inlet connection:	DN 32
Size of suction port:	1 1/4 inch
Size of outlet connection:	DN 32
Size of outlet port:	1 1/4 inch
Pressure rating for pipe connection:	PN 50
Flange size for motor:	56C
Connect code:	P
<b>Liquid:</b>	
Pumped liquid:	Water
Liquid temperature range:	-4 .. 194 °F
Selected liquid temperature:	68 °F
Density:	62.29 lb/ft³
<b>Electrical data:</b>	
Motor standard:	NEMA
Motor type:	Baldor
Rated power - P2:	2 HP
Power (P2) required by pump:	2 HP
Main frequency:	60 Hz
Rated voltage:	1 x 115/208-230 V
Service factor:	1.15





Company name:

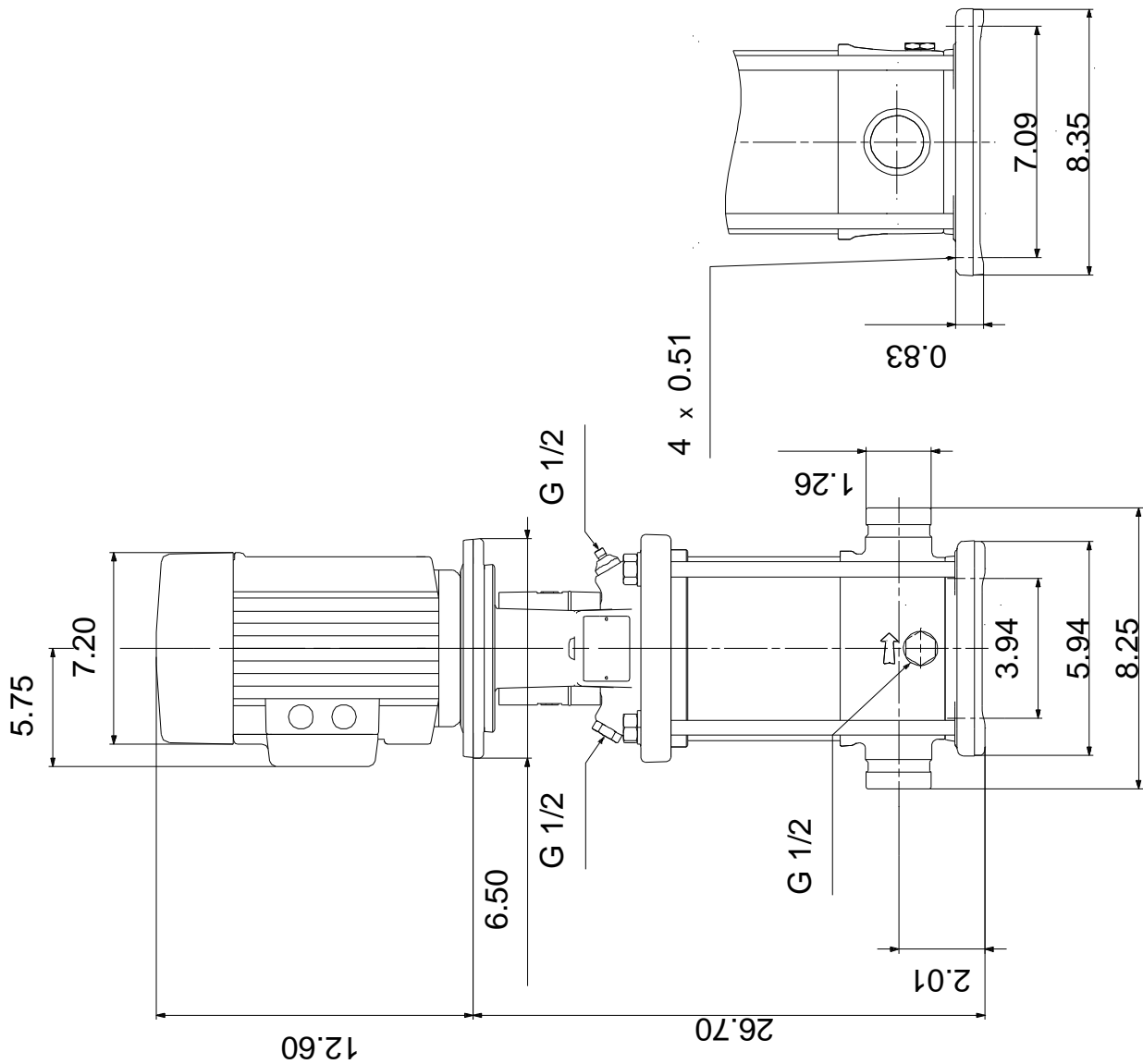
Created by:

Phone:

Date: 8/6/2019

Description	Value
Rated current:	23,0/12,7-11,5 A
Load current:	25.4/12.7 A
Rated speed:	3450 rpm
Number of poles:	2
Insulation class (IEC 85):	F
Motor protection:	NONE
Motor Number:	84Z04010
<b>Controls:</b>	
Frequency converter:	NONE
<b>Others:</b>	
Net weight:	94.1 lb
Gross weight:	112 lb
Shipping volume:	10.1 ft <sup>3</sup>
Country of origin:	US
Custom tariff no.:	8413.70.2040

**96081719 CRN 1S-25 A-P-A-V-HQQV 60 Hz**



Note! All units are in [in] unless otherwise stated.  
Disclaimer: This simplified dimensional drawing does not show all details.

**96081719 CRN 1S-25 A-P-A-V-HQQV 60 Hz**



All units are [in] unless otherwise presented.