


Count	Description
1	<p data-bbox="225 338 536 367">CRN 1S-27 A-P-A-V-HQQV</p>  <p data-bbox="225 660 491 689">Product No.: 96081721</p> <p data-bbox="225 689 751 779">Vertical, non-self-priming, multistage, in-line, centrifugal pump for installation in pipe systems and mounting on a foundation.</p> <p data-bbox="225 808 703 837">The pump has the following characteristics:</p> <ul data-bbox="264 837 783 1016" style="list-style-type: none"> - Impellers, intermediate chambers and outer sleeve are made of - Pump head cover and base are made of - The shaft seal has assembly length according to EN 12756. - Power transmission is via cast iron split coupling. <p data-bbox="225 1048 427 1077">flanges/couplings.</p> <p data-bbox="225 1108 603 1137">The motor is a 1-phase AC motor.</p> <p data-bbox="225 1167 336 1196">Controls:</p> <p data-bbox="225 1196 663 1225">Frequency converter: NONE</p> <p data-bbox="225 1256 312 1285">Liquid:</p> <p data-bbox="225 1285 663 1314">Pumped liquid: Water</p> <p data-bbox="225 1314 715 1344">Liquid temperature range: -4 .. 194 °F</p> <p data-bbox="225 1344 651 1373">Selected liquid temperature: 68 °F</p> <p data-bbox="225 1373 711 1402">Density: 62.29 lb/ft³</p> <p data-bbox="225 1433 352 1462">Technical:</p> <p data-bbox="225 1462 699 1491">Rated pump speed: 3499 rpm</p> <p data-bbox="225 1491 735 1520">Rated flow: 4.84 US gpm</p> <p data-bbox="225 1520 676 1550">Rated head: 499.7 ft</p> <p data-bbox="225 1550 676 1579">Pump orientation: Vertical</p> <p data-bbox="225 1579 663 1608">Shaft seal arrangement: Single</p> <p data-bbox="225 1608 663 1637">Code for shaft seal: HQQV</p> <p data-bbox="225 1637 683 1666">Approvals on nameplate: CURUS</p> <p data-bbox="225 1666 788 1695">Curve tolerance: ISO9906:2012 3B</p> <p data-bbox="225 1727 344 1756">Materials:</p> <p data-bbox="225 1756 751 1845">Base: Stainless steel EN 1.4408 AISI 316</p> <p data-bbox="225 1845 751 1935">Impeller: Stainless steel EN 1.4401 AISI 316</p> <p data-bbox="225 1935 635 1964">Bearing: SIC</p> <p data-bbox="225 1995 368 2024">Installation:</p> <p data-bbox="225 2024 663 2054">Maximum ambient temperature: 104 °F</p> <p data-bbox="225 2054 707 2083">Maximum operating pressure: 362.59 psi</p>



Company name:

Created by:

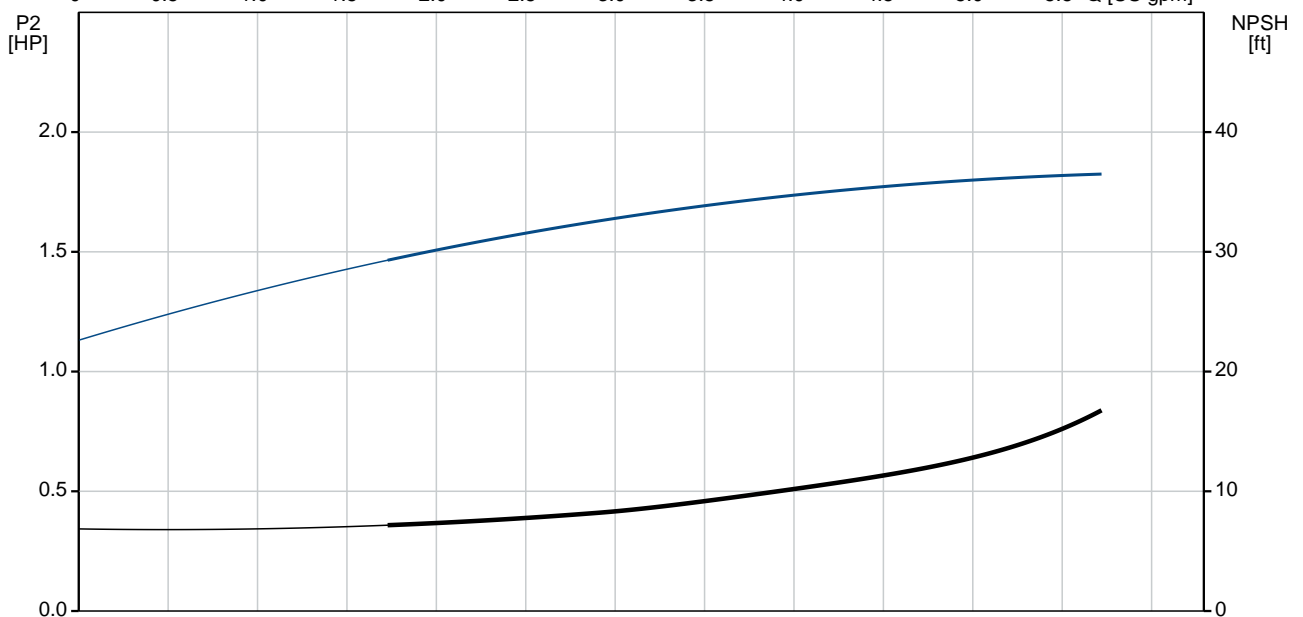
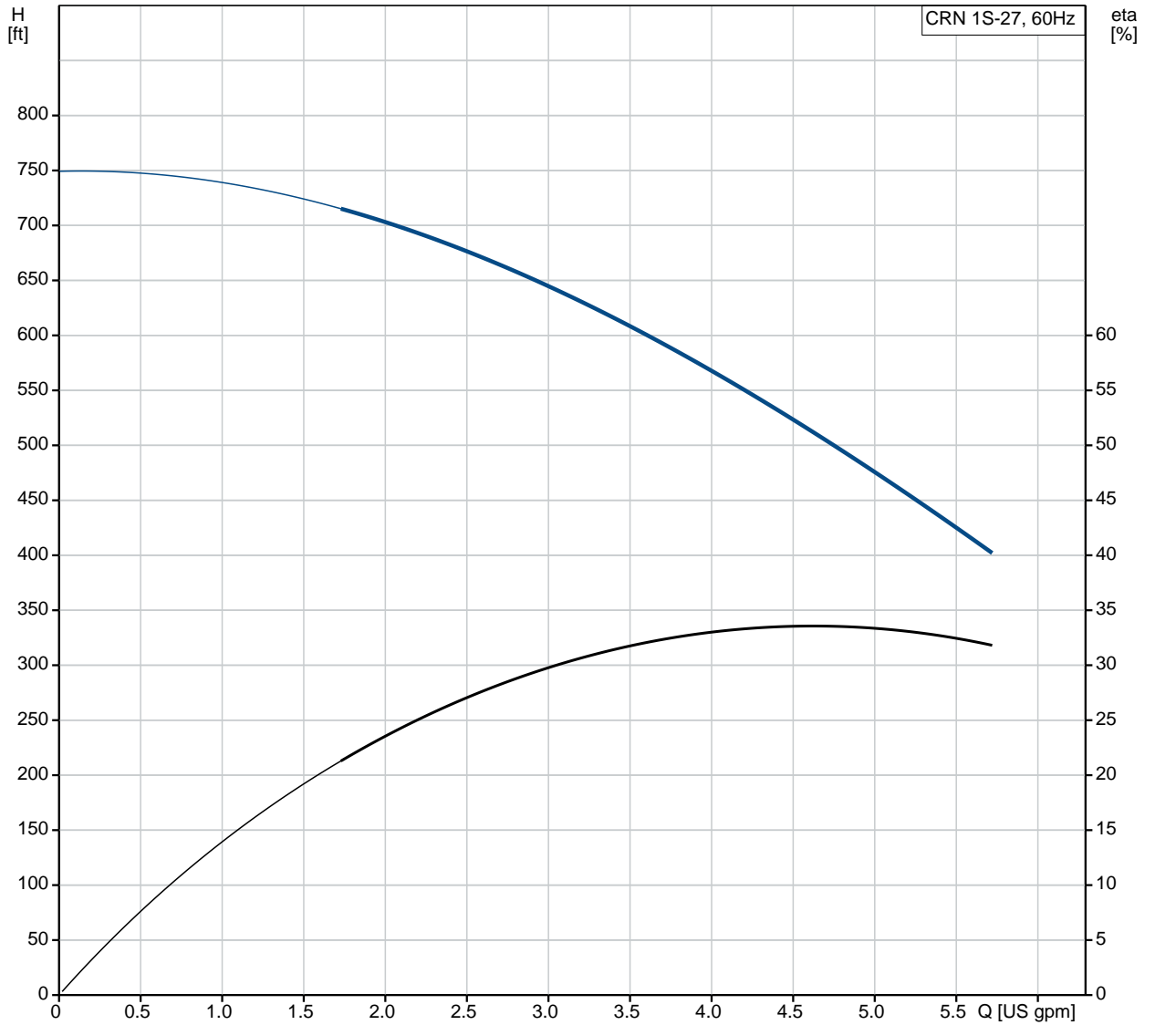
Phone:

Date:

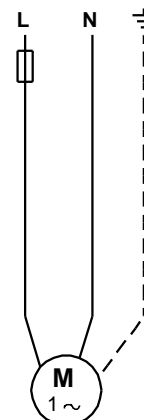
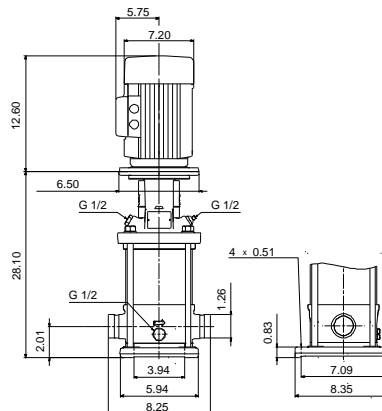
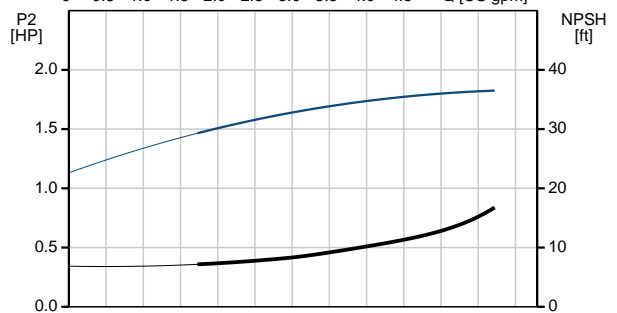
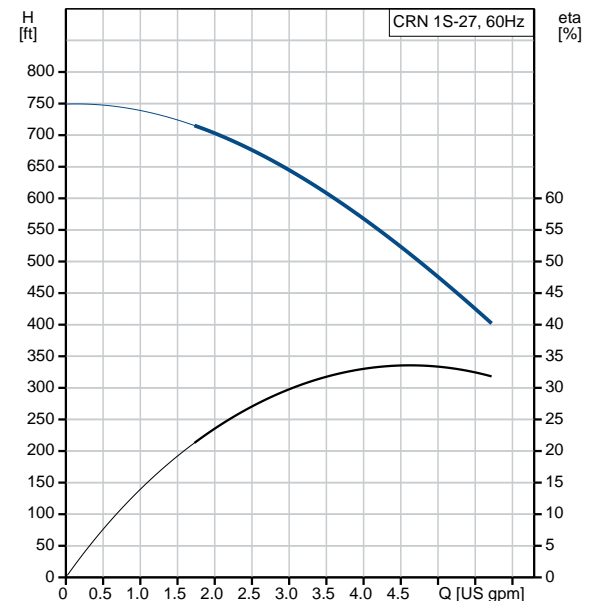
8/6/2019

Count	Description
	Max pressure at stated temperature: 363 psi / 194 °F 363 psi / -4 °F
	Type of connection: PJE
	Size of inlet connection: DN 32
	Size of suction port: 1 1/4 inch
	Size of outlet connection: DN 32
	Size of outlet port: 1 1/4 inch
	Pressure rating for pipe connection: PN 50
	Flange size for motor: 56C
	Electrical data:
	Motor standard: NEMA
	Motor type: Baldor
	Rated power - P2: 2 HP
	Power (P2) required by pump: 2 HP
	Main frequency: 60 Hz
	Rated voltage: 1 x 115/208-230 V
	Service factor: 1.15
	Rated current: 23,0/12,7-11,5 A
	Rated speed: 3450 rpm
	Number of poles: 2
	Insulation class (IEC 85): F
	Motor Number: 84Z04010
	Others:
	Net weight: 95.8 lb
	Gross weight: 114 lb
	Shipping volume: 10.1 ft ³
	Country of origin: US
	Custom tariff no.: 8413.70.2040

96081721 CRN 1S-27 A-P-A-V-HQQV 60 Hz



Description	Value
General information:	
Product name:	CRN 1S-27 A-P-A-V-HQQV
Product No.:	96081721
EAN:	5700395161656
Technical:	
Rated pump speed:	3499 rpm
Rated flow:	4.84 US gpm
Rated head:	499.7 ft
Head max:	750.4 ft
Stages:	27
Impellers:	27
Number of reduced-diameter impellers:	0
Low NPSH:	N
Pump orientation:	Vertical
Shaft seal arrangement:	Single
Code for shaft seal:	HQQV
Approvals on nameplate:	CURUS
Curve tolerance:	ISO9906:2012 3B
Pump version:	A
Model:	A
Cooling:	TEFC
Materials:	
Base:	Stainless steel EN 1.4408 AISI 316
Impeller:	Stainless steel EN 1.4401 AISI 316
Material code:	A
Code for rubber:	V
Bearing:	SIC
Installation:	
Maximum ambient temperature:	104 °F
Maximum operating pressure:	362.59 psi
Max pressure at stated temperature:	363 psi / 194 °F 363 psi / -4 °F
Type of connection:	PJE
Size of inlet connection:	DN 32
Size of suction port:	1 1/4 inch
Size of outlet connection:	DN 32
Size of outlet port:	1 1/4 inch
Pressure rating for pipe connection:	PN 50
Flange size for motor:	56C
Connect code:	P
Liquid:	
Pumped liquid:	Water
Liquid temperature range:	-4 .. 194 °F
Selected liquid temperature:	68 °F
Density:	62.29 lb/ft³
Electrical data:	
Motor standard:	NEMA
Motor type:	Baldor
Rated power - P2:	2 HP
Power (P2) required by pump:	2 HP
Main frequency:	60 Hz
Rated voltage:	1 x 115/208-230 V
Service factor:	1.15





Company name:

Created by:

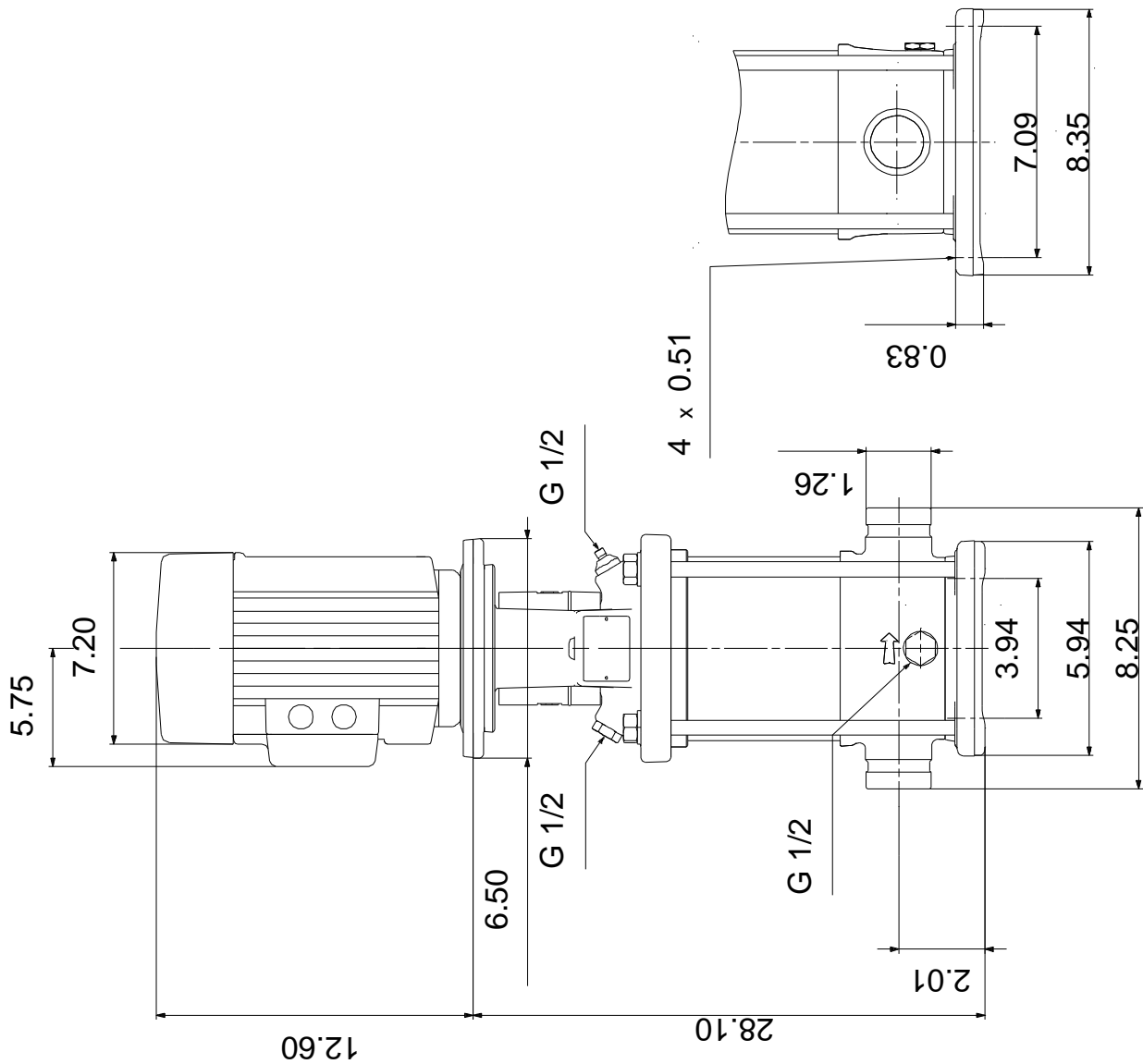
Phone:

Date:

8/6/2019

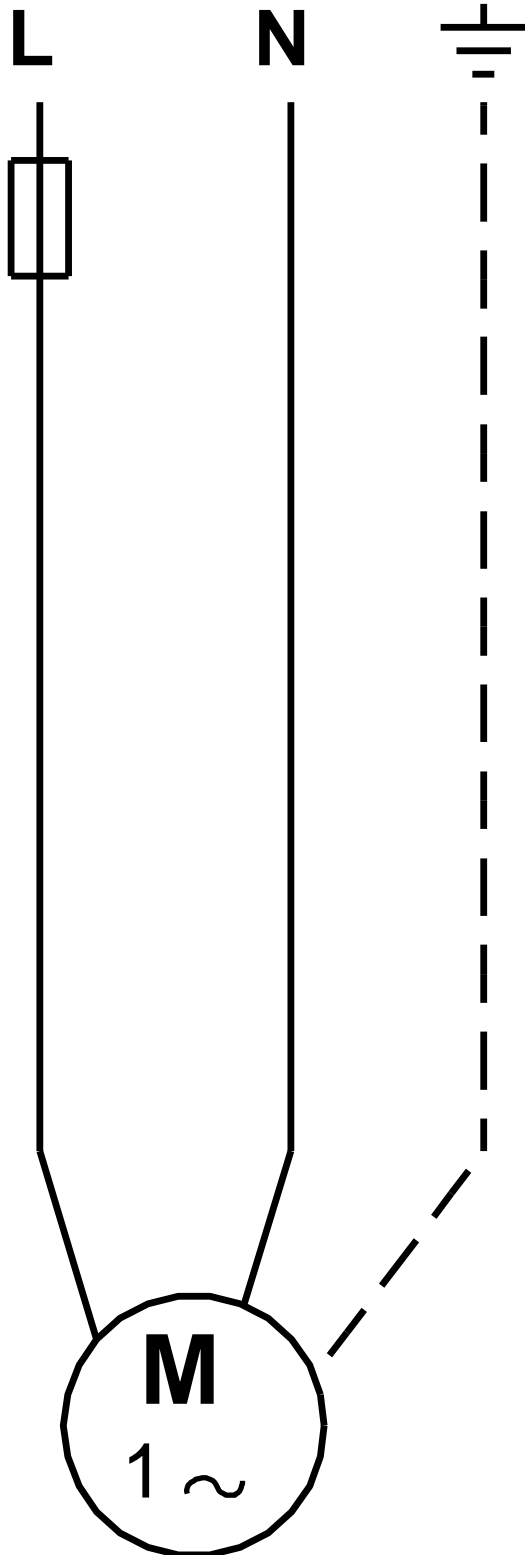
Description	Value
Rated current:	23,0/12,7-11,5 A
Load current:	25.4/12.7 A
Rated speed:	3450 rpm
Number of poles:	2
Insulation class (IEC 85):	F
Motor protection:	NONE
Motor Number:	84Z04010
Controls:	
Frequency converter:	NONE
Others:	
Net weight:	95.8 lb
Gross weight:	114 lb
Shipping volume:	10.1 ft ³
Country of origin:	US
Custom tariff no.:	8413.70.2040

96081721 CRN 1S-27 A-P-A-V-HQQV 60 Hz



Note! All units are in [in] unless otherwise stated.
Disclaimer: This simplified dimensional drawing does not show all details.

96081721 CRN 1S-27 A-P-A-V-HQQV 60 Hz



All units are [in] unless otherwise presented.