

PROJECT: _____	UNIT TAG: _____	QUANTITY: _____
REPRESENTATIVE: _____	TYPE OF SERVICE: _____	DATE: _____
ENGINEER: _____	SUBMITTED BY: _____	DATE: _____
CONTRACTOR: _____	APPROVED BY: _____	DATE: _____
	ORDER NO.: _____	DATE: _____

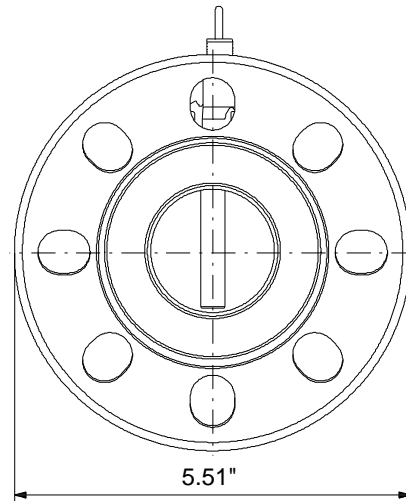
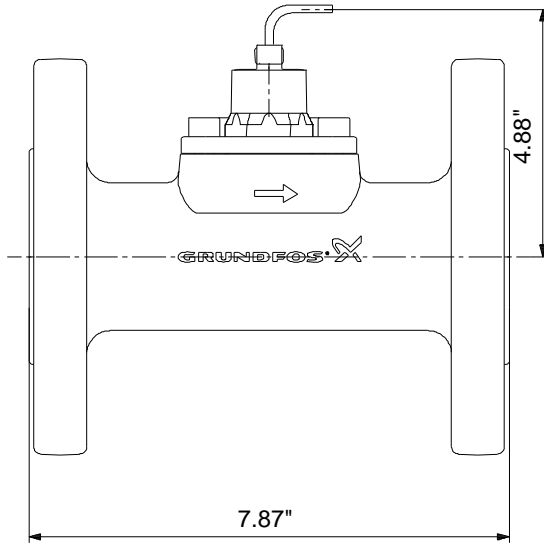
VFI/-0.6-12m/1/C/M5.00-X/EG6/S

Accessories




Product photo could vary from the actual product

Conditions of Service	Pump Data	Motor Data
Flow: _____	Maximum operating pressure: 435.11 psi	Enclosure class: IP67
Head: _____	Liquid temperature range: -22 .. 248 °F	
Efficiency: _____	Maximum ambient temperature: 158 °F	
Liquid: _____	Type of connection: Flange	
Temperature: _____	Product number: 97686129	
NPSH required: _____		
Viscosity: _____		
Specific Gravity: _____		



Materials:

Material: Stainless steel

Count	Description
1	<p data-bbox="298 415 669 445">VF1-0.6-12m/1/C/M5.00-X/EG6/S</p> <div data-bbox="328 604 646 726" style="text-align: center;">  </div> <p data-bbox="685 842 1138 867" style="text-align: center;">Product photo could vary from the actual product</p> <p data-bbox="298 875 561 905">Product No.: 97686129</p> <p data-bbox="298 932 1279 961">The VF1 is the industrial version (4-20 mA output) of the Grundfos vortex flow meter range.</p> <p data-bbox="298 991 1084 1020">The VF1 is based on the principle of vortex shedding behind a bluff body.</p> <p data-bbox="298 1050 1024 1079">The VF1 has no moving parts and is built into a stainless steel pipe.</p> <p data-bbox="298 1108 1377 1163">The rugged design allows the VF1 to be used in a wide range of applications as a cost-effective and accurate flow transmitter.</p> <p data-bbox="298 1192 1289 1222">The VF1 is delivered with a Cast iron, PN25/40 DN18/25/32, B16.5 1¼", Flange connection.</p> <p data-bbox="298 1255 407 1285">Controls:</p> <p data-bbox="298 1287 846 1316">Outputs: 4-20 mA, 2 wires</p> <p data-bbox="298 1346 380 1375">Liquid:</p> <p data-bbox="298 1377 797 1407">Liquid temperature range: -22 .. 248 °F</p> <p data-bbox="298 1436 423 1465">Technical:</p> <p data-bbox="298 1467 805 1497">Approvals and markings: CE,CCSAUS</p> <p data-bbox="298 1499 764 1528">Measuring type: VORTEX</p> <p data-bbox="298 1558 415 1587">Materials:</p> <p data-bbox="298 1589 818 1619">Material: Stainless steel</p> <p data-bbox="298 1621 760 1650">Connection mat.: Cast iron</p> <p data-bbox="298 1680 440 1709">Installation:</p> <p data-bbox="298 1711 797 1740">Range of ambient temperature: -67 .. 158 °F</p> <p data-bbox="298 1743 776 1772">Maximum operating pressure: 435.11 psi</p> <p data-bbox="298 1774 737 1803">Type of connection: Flange</p> <p data-bbox="298 1806 1019 1835">Pipework connection: PN25/40 DN18/25/32, B16.5 1¼"</p> <p data-bbox="298 1837 878 1866">Range of flow measurement: 2.64 .. 52.8 US gpm</p>

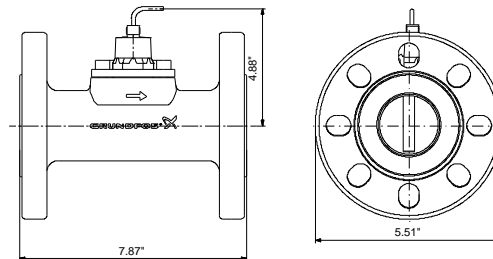


Company name:
Created by:
Phone:

Date: 8/20/2019

Count	Description
	Electrical data:
	Enclosure class (IEC 34-5): IP67
	Length of cable: 16.4 ft
	Udc: 30 V
	12 V
	Others:
	Net weight: 10.3 lb
	Gross weight: 14.4 lb

Description	Value
General information:	
Product name:	VFI/-0.6-12m/1/C/M5.00-X/EG 6/S
Product No.:	97686129
EAN:	5710621489997
	5710621489997
Technical:	
Flow range:	0.6-12 m ³ /h
Approvals and markings:	CE,CCSAUS
Measuring type:	VORTEX
Materials:	
Material:	Stainless steel
Connection mat.:	Cast iron
Installation:	
Range of ambient temperature:	-67 .. 158 °F
Maximum operating pressure:	435.11 psi
Type of connection:	Flange
Pipework connection:	PN25/40 DN18/25/32, B16.5 1 1/4"
Range of flow measurement:	2.64 .. 52.8 US gpm
Liquid:	
Liquid temperature range:	-22 .. 248 °F
Electrical data:	
Enclosure class (IEC 34-5):	IP67
Length of cable:	16.4 ft
Udc:	30 V
	12 V
Controls:	
4-20 mA control:	YES
Outputs:	4-20 mA, 2 wires
Others:	
Brand:	GRUNDFOS DIRECT SENSORS
Net weight:	10.3 lb
Gross weight:	14.4 lb

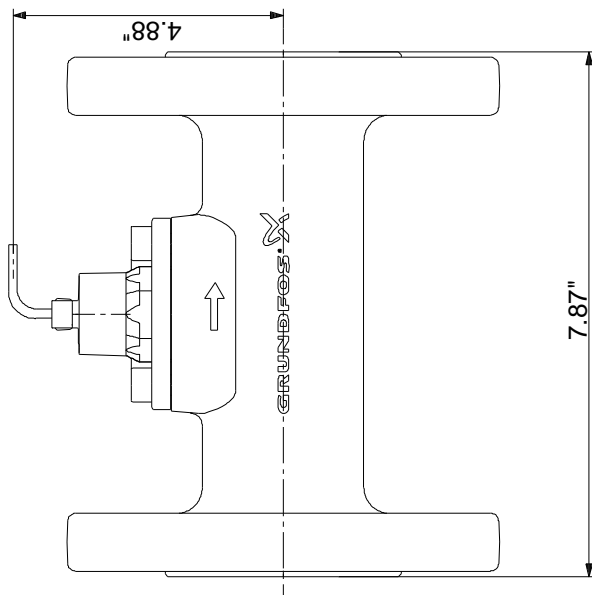
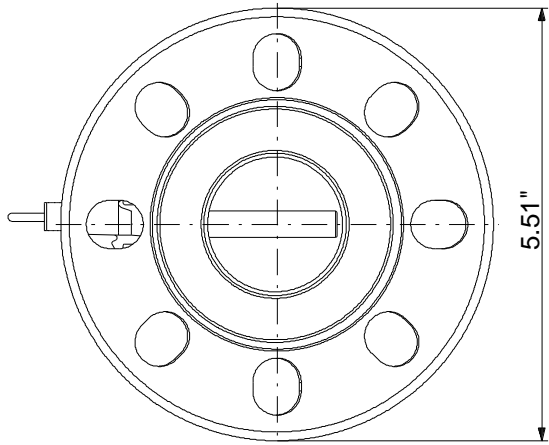




Company name:
Created by:
Phone:

Date: 8/20/2019

97686129 VFI/-0.6-12m/1/C/M5.00-X/EG6/S 60 Hz



Note! All units are in [in] unless otherwise stated.
Disclaimer: This simplified dimensional drawing does not show all details.