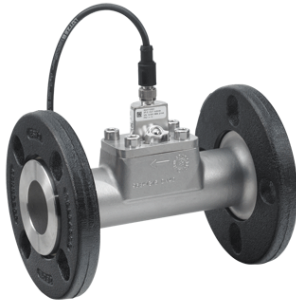


PROJECT: _____	UNIT TAG: _____	QUANTITY: _____
REPRESENTATIVE: _____	TYPE OF SERVICE: _____	DATE: _____
ENGINEER: _____	SUBMITTED BY: _____	DATE: _____
CONTRACTOR: _____	APPROVED BY: _____	DATE: _____
	ORDER NO.: _____	DATE: _____

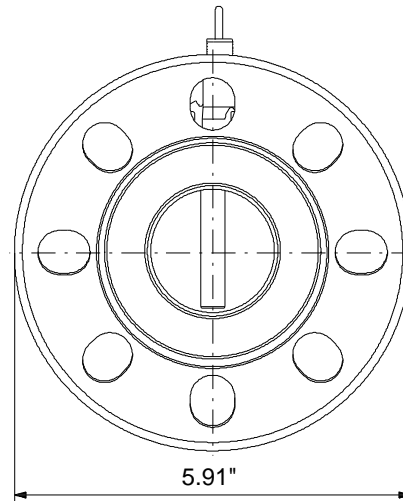
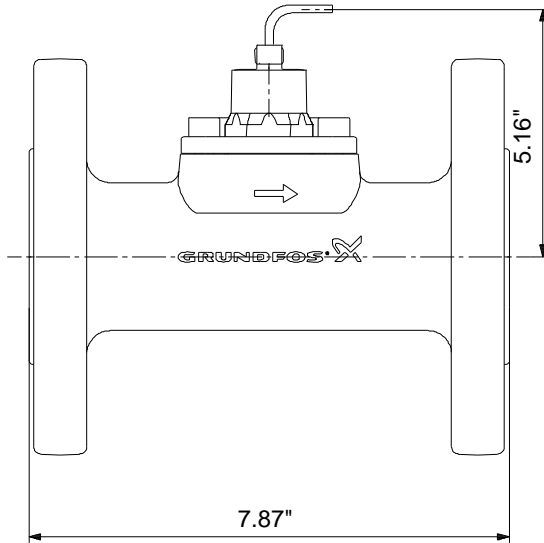
VFI/---2-40m/1/C/M5.00-X/VG6/S

Accessories



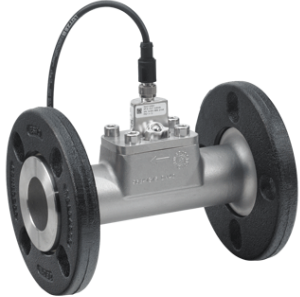
Product photo could vary from the actual product

Conditions of Service	Pump Data	Motor Data
Flow: _____	Maximum operating pressure: 435.11 psi	Enclosure class: IP67
Head: _____	Liquid temperature range: -22 .. 248 °F	
Efficiency: _____	Maximum ambient temperature: 158 °F	
Liquid: _____	Type of connection: Flange	
Temperature: _____	Product number: 97686144	
NPSH required: _____		
Viscosity: _____		
Specific Gravity: _____		



Materials:

Material: Stainless steel

Count	Description
1	<p data-bbox="298 415 665 443">VFI---2-40m/1/C/M5.00-X/VG6/S</p> <div data-bbox="337 506 634 800" style="text-align: center;">  </div> <p data-bbox="685 842 1138 867" style="text-align: center;">Product photo could vary from the actual product</p> <p data-bbox="298 873 561 900">Product No.: 97686144</p> <p data-bbox="298 932 1281 959">The VFI is the industrial version (4-20 mA output) of the Grundfos vortex flow meter range.</p> <p data-bbox="298 991 1086 1018">The VFI is based on the principle of vortex shedding behind a bluff body.</p> <p data-bbox="298 1050 1026 1077">The VFI has no moving parts and is built into a stainless steel pipe.</p> <p data-bbox="298 1108 1378 1161">The rugged design allows the VFI to be used in a wide range of applications as a cost-effective and accurate flow transmitter.</p> <p data-bbox="298 1192 1284 1220">The VFI is delivered with a Cast iron, DIN PN16/25/40 DN40, B16.5 2", Flange connection.</p> <p data-bbox="298 1255 410 1283">Controls:</p> <p data-bbox="298 1287 846 1314">Outputs: 4-20 mA, 2 wires</p> <p data-bbox="298 1346 383 1373">Liquid:</p> <p data-bbox="298 1377 797 1404">Liquid temperature range: -22 .. 248 °F</p> <p data-bbox="298 1436 423 1463">Technical:</p> <p data-bbox="298 1467 805 1495">Approvals and markings: CE,CCSAUS</p> <p data-bbox="298 1499 764 1526">Measuring type: VORTEX</p> <p data-bbox="298 1558 415 1585">Materials:</p> <p data-bbox="298 1589 818 1617">Material: Stainless steel</p> <p data-bbox="298 1621 760 1648">Connection mat.: Cast iron</p> <p data-bbox="298 1680 440 1707">Installation:</p> <p data-bbox="298 1711 797 1738">Range of ambient temperature: -67 .. 158 °F</p> <p data-bbox="298 1743 776 1770">Maximum operating pressure: 435.11 psi</p> <p data-bbox="298 1774 737 1801">Type of connection: Flange</p> <p data-bbox="298 1806 1013 1833">Pipework connection: DIN PN16/25/40 DN40, B16.5 2"</p> <p data-bbox="298 1837 873 1864">Range of flow measurement: 8.81 .. 176 US gpm</p>

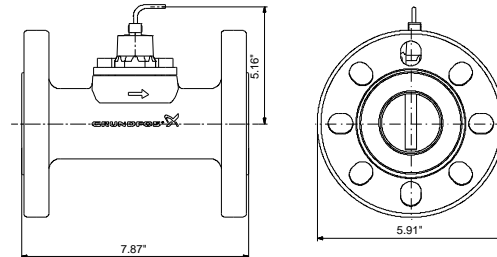


Company name:
Created by:
Phone:

Date: 8/19/2019

Count	Description
	<p data-bbox="298 415 477 443">Electrical data:</p> <p data-bbox="298 445 716 472">Enclosure class (IEC 34-5): IP67</p> <p data-bbox="298 474 716 501">Length of cable: 16.4 ft</p> <p data-bbox="298 504 711 531">Udc: 30 V</p> <p data-bbox="659 533 711 560">12 V</p> <p data-bbox="298 594 386 621">Others:</p> <p data-bbox="298 623 732 651">Net weight: 12.1 lb</p> <p data-bbox="298 653 732 680">Gross weight: 16.3 lb</p>

Description	Value
General information:	
Product name:	VFI/---2-40m ³ /1/C/M5.00-X/VG 6/S
Product No.:	97686144
EAN:	5710621490146
	5710621490146
Technical:	
Flow range:	2-40 m ³ /h
Approvals and markings:	CE,CCSAUS
Measuring type:	VORTEX
Materials:	
Material:	Stainless steel
Connection mat.:	Cast iron
Installation:	
Range of ambient temperature:	-67 .. 158 °F
Maximum operating pressure:	435.11 psi
Type of connection:	Flange
Pipework connection:	DIN PN16/25/40 DN40, B16.5 2"
Range of flow measurement:	8.81 .. 176 US gpm
Liquid:	
Liquid temperature range:	-22 .. 248 °F
Electrical data:	
Enclosure class (IEC 34-5):	IP67
Length of cable:	16.4 ft
Udc:	30 V
	12 V
Controls:	
4-20 mA control:	YES
Outputs:	4-20 mA, 2 wires
Others:	
Brand:	GRUNDFOS DIRECT SENSORS
Net weight:	12.1 lb
Gross weight:	16.3 lb

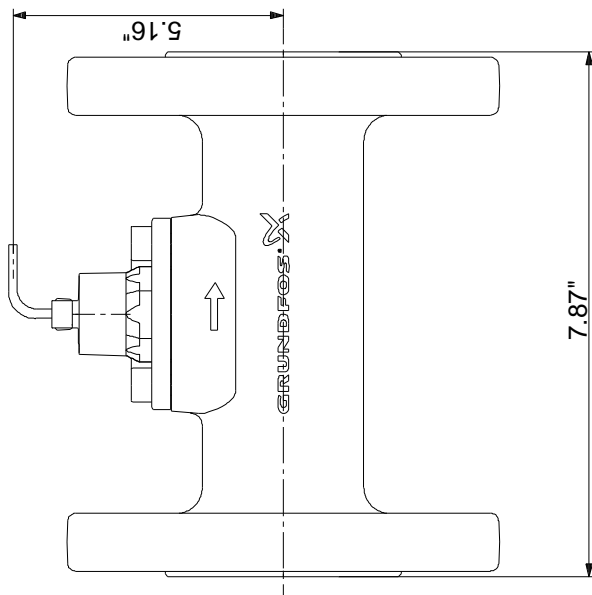
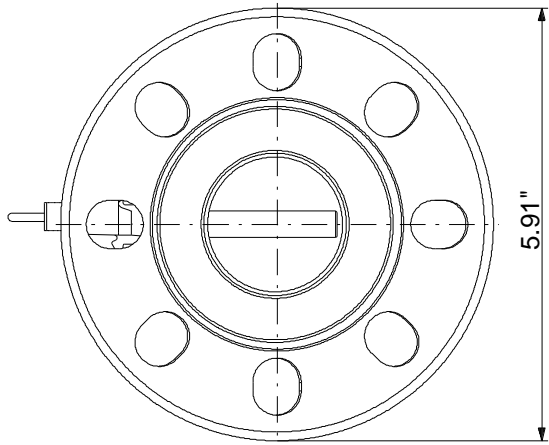




Company name:
Created by:
Phone:

Date: 8/19/2019

97686144 VFI/---2-40m/1/C/M5.00-X/VG6/S 60 Hz



Note! All units are in [in] unless otherwise stated.
Disclaimer: This simplified dimensional drawing does not show all details.