

| | | |
|-----------------------|------------------------|-----------------|
| PROJECT: _____ | UNIT TAG: _____ | QUANTITY: _____ |
| REPRESENTATIVE: _____ | TYPE OF SERVICE: _____ | DATE: _____ |
| ENGINEER: _____ | SUBMITTED BY: _____ | DATE: _____ |
| CONTRACTOR: _____ | APPROVED BY: _____ | DATE: _____ |
| | ORDER NO.: _____ | DATE: _____ |

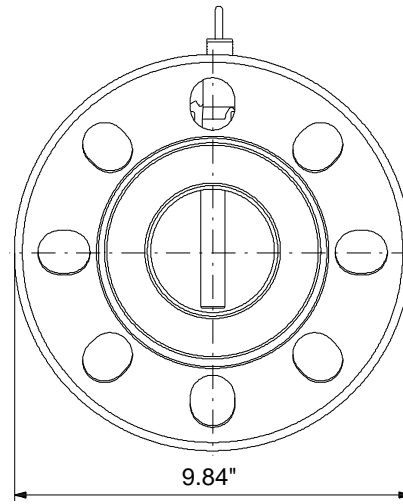
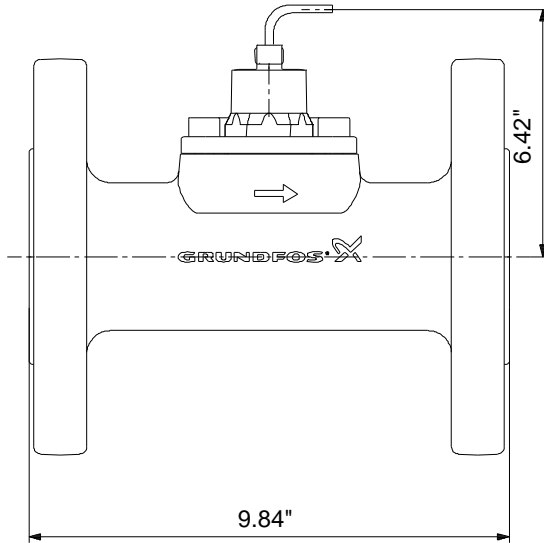
VFI/-12-240m/1/C/M5.00-X/VG6/S

Accessories



Product photo could vary from the actual product

| Conditions of Service | Pump Data | Motor Data |
|-------------------------|---|-----------------------|
| Flow: _____ | Maximum operating pressure: 435.11 psi | Enclosure class: IP67 |
| Head: _____ | Liquid temperature range: -22 .. 248 °F | |
| Efficiency: _____ | Maximum ambient temperature: 158 °F | |
| Liquid: _____ | Type of connection: Flange | |
| Temperature: _____ | Product number: 97686152 | |
| NPSH required: _____ | | |
| Viscosity: _____ | | |
| Specific Gravity: _____ | | |



Materials:

Material: Stainless steel




Company name:

Created by:

Phone:

Date:

8/16/2019

| Count | Description |
|-------|---|
| 1 | <p>VFI-12-240m/1/C/M5.00-X/VG6/S</p>  <p>Product photo could vary from the actual product</p> <p>Product No.: 97686152</p> <p>The VFI is the industrial version (4-20 mA output) of the Grundfos vortex flow meter range.</p> <p>The VFI is based on the principle of vortex shedding behind a bluff body.</p> <p>The VFI has no moving parts and is built into a stainless steel pipe.</p> <p>The rugged design allows the VFI to be used in a wide range of applications as a cost-effective and accurate flow transmitter.</p> <p>The VFI is delivered with a Cast iron, ISO/DIN PN25/40 DN100, Flange connection.</p> <p>Controls: Outputs: 4-20 mA, 2 wires</p> <p>Liquid: Liquid temperature range: -22 .. 248 °F</p> <p>Technical: Approvals and markings: CE,CCSAUS Measuring type: VORTEX</p> <p>Materials: Material: Stainless steel Connection mat.: Cast iron</p> <p>Installation: Range of ambient temperature: -67 .. 158 °F Maximum operating pressure: 435.11 psi Type of connection: Flange Pipework connection: ISO/DIN PN25/40 DN100 Range of flow measurement: 52.8 .. 1060 US gpm</p> |

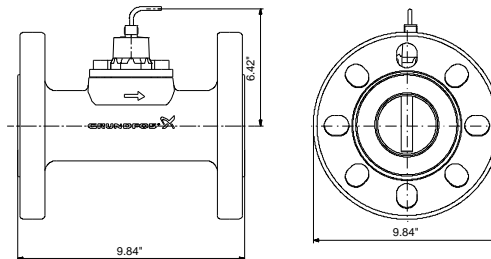


Company name:
Created by:
Phone:

Date: 8/16/2019

| Count | Description |
|-------|--|
| | Electrical data: Enclosure class (IEC 34-5): IP67 Length of cable: 16.4 ft Udc: 30 V 12 V |
| | Others: Net weight: 35.9 lb Gross weight: 40.1 lb |

| Description | Value |
|-------------------------------|---------------------------------|
| General information: | |
| Product name: | VFI/-12-240m/1/C/M5.00-X/V G6/S |
| Product No.: | 97686152 |
| EAN: | 5710621490221 |
| | 5710621490221 |
| Technical: | |
| Flow range: | 12-240 m ³ /h |
| Approvals and markings: | CE,CCSAUS |
| Measuring type: | VORTEX |
| Materials: | |
| Material: | Stainless steel |
| Connection mat.: | Cast iron |
| Installation: | |
| Range of ambient temperature: | -67 .. 158 °F |
| Maximum operating pressure: | 435.11 psi |
| Type of connection: | Flange |
| Pipework connection: | ISO/DIN PN25/40 DN100 |
| Range of flow measurement: | 52.8 .. 1060 US gpm |
| Liquid: | |
| Liquid temperature range: | -22 .. 248 °F |
| Electrical data: | |
| Enclosure class (IEC 34-5): | IP67 |
| Length of cable: | 16.4 ft |
| Udc: | 30 V |
| | 12 V |
| Controls: | |
| 4-20 mA control: | YES |
| Outputs: | 4-20 mA, 2 wires |
| Others: | |
| Brand: | GRUNDFOS DIRECT SENSORS |
| Net weight: | 35.9 lb |
| Gross weight: | 40.1 lb |

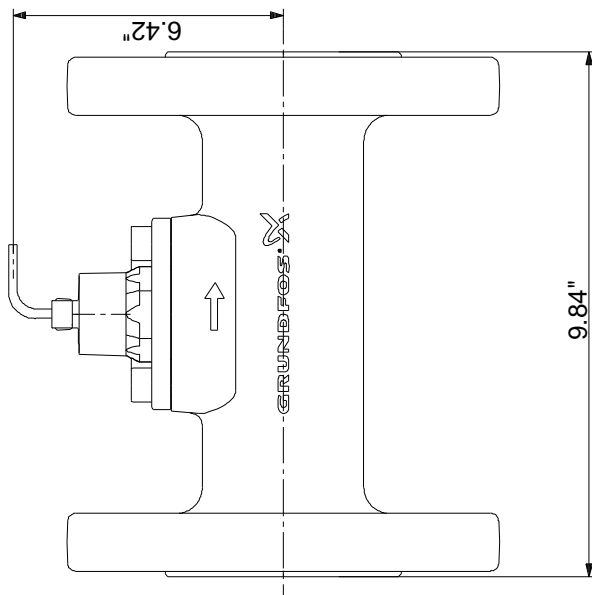
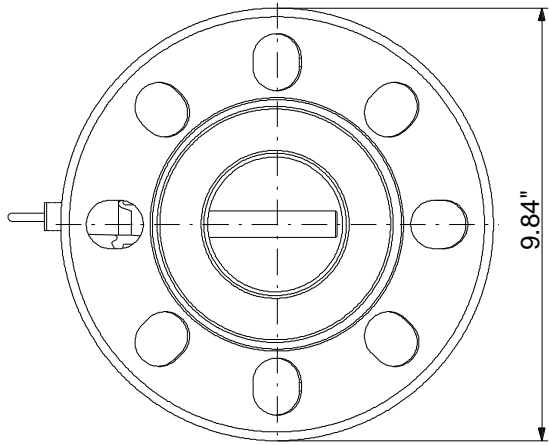




Company name:
Created by:
Phone:

Date: 8/16/2019

97686152 VFI/-12-240m/1/C/M5.00-X/VG6/S 50 Hz



Note! All units are in [in] unless otherwise stated.
Disclaimer: This simplified dimensional drawing does not show all details.