

PROJECT: _____	UNIT TAG: _____	QUANTITY: _____
REPRESENTATIVE: _____	TYPE OF SERVICE: _____	DATE: _____
ENGINEER: _____	SUBMITTED BY: _____	DATE: _____
CONTRACTOR: _____	APPROVED BY: _____	DATE: _____
	ORDER NO.: _____	DATE: _____

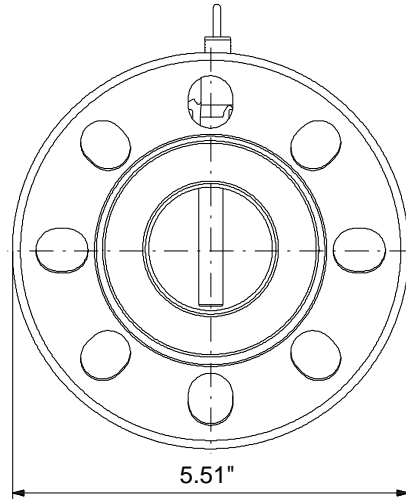
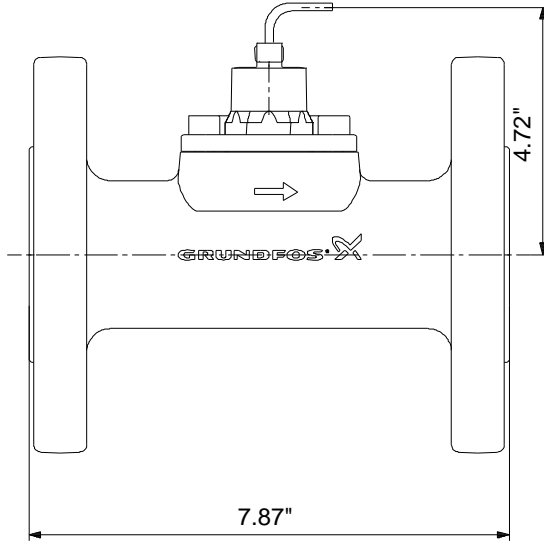
VFI/--0.3-6m/1/C/M5.00-X/VG6/S

Accessories




Product photo could vary from the actual product

Conditions of Service	Pump Data	Motor Data
Flow: _____	Maximum operating pressure: 435.11 psi	Enclosure class: IP67
Head: _____	Liquid temperature range: -22 .. 248 °F	
Efficiency: _____	Maximum ambient temperature: 158 °F	
Liquid: _____	Type of connection: Flange	
Temperature: _____	Product number: 97688294	
NPSH required: _____		
Viscosity: _____		
Specific Gravity: _____		



Materials:

Material: Stainless steel

Count	Description
1	<p data-bbox="298 415 665 443">VFI--0.3-6m/1/C/M5.00-X/VG6/S</p> <div data-bbox="316 588 657 724" style="text-align: center;">  </div> <p data-bbox="690 842 1136 869" style="text-align: center;">Product photo could vary from the actual product</p> <p data-bbox="298 875 560 903">Product No.: 97688294</p> <p data-bbox="298 932 1279 959">The VFI is the industrial version (4-20 mA output) of the Grundfos vortex flow meter range.</p> <p data-bbox="298 993 1084 1020">The VFI is based on the principle of vortex shedding behind a bluff body.</p> <p data-bbox="298 1054 1024 1081">The VFI has no moving parts and is built into a stainless steel pipe.</p> <p data-bbox="298 1115 1377 1163">The rugged design allows the VFI to be used in a wide range of applications as a cost-effective and accurate flow transmitter.</p> <p data-bbox="298 1197 1349 1224">The VFI is delivered with a Stainless steel, PN25/40 DN18/25/32, B16.5 1¼", Flange connection.</p> <p data-bbox="298 1260 407 1287">Controls:</p> <p data-bbox="298 1289 844 1316">Outputs: 4-20 mA, 2 wires</p> <p data-bbox="298 1350 380 1377">Liquid:</p> <p data-bbox="298 1379 795 1407">Liquid temperature range: -22 .. 248 °F</p> <p data-bbox="298 1440 422 1467">Technical:</p> <p data-bbox="298 1470 803 1497">Approvals and markings: CE,CCSAUS</p> <p data-bbox="298 1499 763 1526">Measuring type: VORTEX</p> <p data-bbox="298 1560 414 1587">Materials:</p> <p data-bbox="298 1589 820 1617">Material: Stainless steel</p> <p data-bbox="298 1619 820 1646">Connection mat.: Stainless steel</p> <p data-bbox="298 1680 438 1707">Installation:</p> <p data-bbox="298 1709 795 1736">Range of ambient temperature: -67 .. 158 °F</p> <p data-bbox="298 1738 771 1766">Maximum operating pressure: 435.11 psi</p> <p data-bbox="298 1768 738 1795">Type of connection: Flange</p> <p data-bbox="298 1797 1015 1824">Pipework connection: PN25/40 DN18/25/32, B16.5 1¼"</p> <p data-bbox="298 1827 876 1854">Range of flow measurement: 1.32 .. 26.4 US gpm</p>

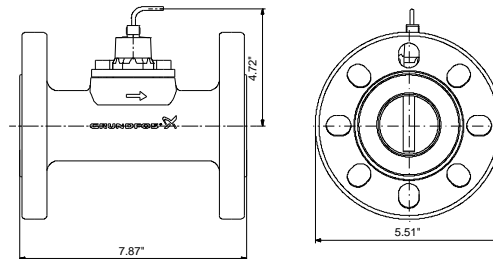


Company name:
Created by:
Phone:

Date: 8/16/2019

Count	Description
	Electrical data: Enclosure class (IEC 34-5): IP67 Length of cable: 16.4 ft Udc: 30 V 12 V
	Others: Net weight: 7.76 lb Gross weight: 11.9 lb

Description	Value
General information:	
Product name:	VFI/-0.3-6m/1/C/M5.00-X/VG 6/S
Product No.:	97688294
EAN:	5710621537896
	5710621537896
Technical:	
Flow range:	0.3-6 m ³ /h
Approvals and markings:	CE,CCSAUS
Measuring type:	VORTEX
Materials:	
Material:	Stainless steel
Connection mat.:	Stainless steel
Installation:	
Range of ambient temperature:	-67 .. 158 °F
Maximum operating pressure:	435.11 psi
Type of connection:	Flange
Pipework connection:	PN25/40 DN18/25/32, B16.5 1 1/4"
Range of flow measurement:	1.32 .. 26.4 US gpm
Liquid:	
Liquid temperature range:	-22 .. 248 °F
Electrical data:	
Enclosure class (IEC 34-5):	IP67
Length of cable:	16.4 ft
Udc:	30 V
	12 V
Controls:	
4-20 mA control:	YES
Outputs:	4-20 mA, 2 wires
Others:	
Brand:	GRUNDFOS DIRECT SENSORS
Net weight:	7.76 lb
Gross weight:	11.9 lb

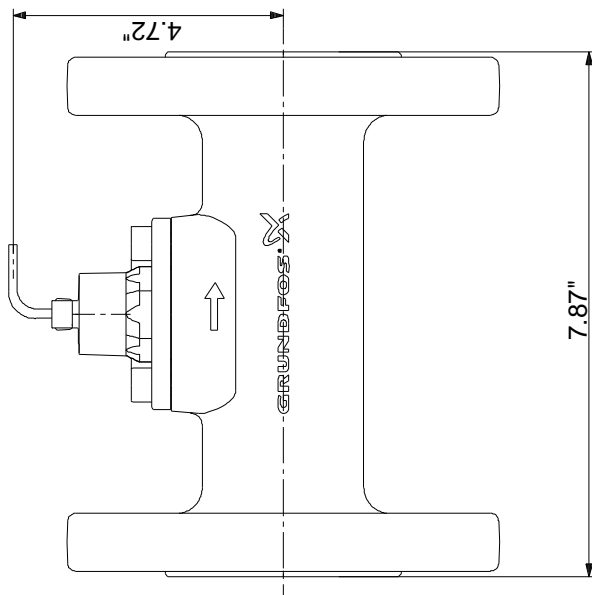
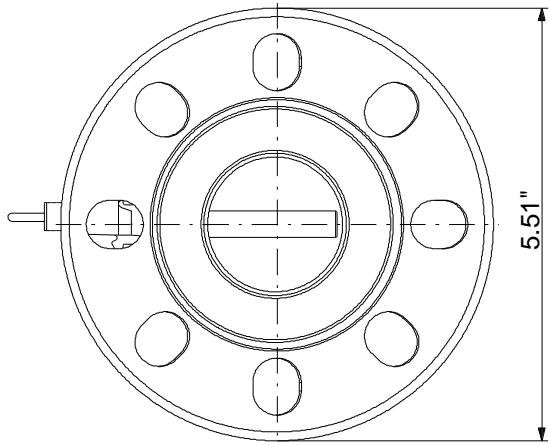




Company name:
Created by:
Phone:

Date: 8/16/2019

97688294 VFI/--0.3-6m/1/C/M5.00-X/VG6/S 60 Hz



Note! All units are in [in] unless otherwise stated.
Disclaimer: This simplified dimensional drawing does not show all details.