

PROJECT: _____	UNIT TAG: _____	QUANTITY: _____
REPRESENTATIVE: _____	TYPE OF SERVICE: _____	DATE: _____
ENGINEER: _____	SUBMITTED BY: _____	DATE: _____
CONTRACTOR: _____	APPROVED BY: _____	DATE: _____
	ORDER NO.: _____	DATE: _____

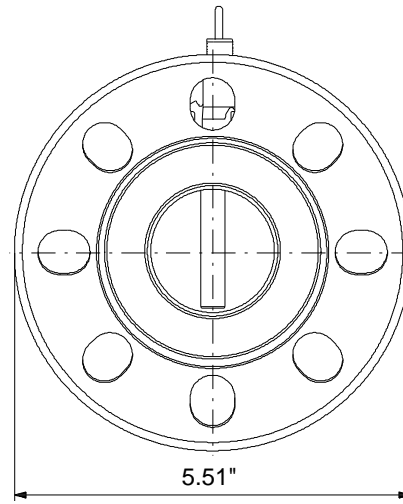
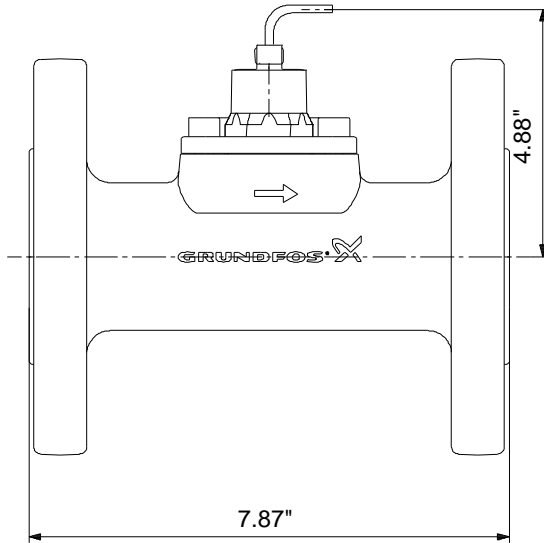
VFI/-0.6-12m/1/C/M5.00-X/EG6/S

Accessories




Product photo could vary from the actual product

Conditions of Service	Pump Data	Motor Data
Flow: _____	Maximum operating pressure: 435.11 psi	Enclosure class: IP67
Head: _____	Liquid temperature range: -22 .. 248 °F	
Efficiency: _____	Maximum ambient temperature: 158 °F	
Liquid: _____	Type of connection: Flange	
Temperature: _____	Product number: 97688295	
NPSH required: _____		
Viscosity: _____		
Specific Gravity: _____		



**Materials:**

Material: Stainless steel

Count	Description
1	<p data-bbox="298 415 669 445"><b>VF1-0.6-12m/1/C/M5.00-X/EG6/S</b></p> <div data-bbox="326 604 646 726" style="text-align: center;">  </div> <p data-bbox="686 842 1138 867" style="text-align: center;">Product photo could vary from the actual product</p> <p data-bbox="298 875 561 905">Product No.: <a href="#">97688295</a></p> <p data-bbox="298 932 1279 961">The VF1 is the industrial version (4-20 mA output) of the Grundfos vortex flow meter range.</p> <p data-bbox="298 993 1084 1022">The VF1 is based on the principle of vortex shedding behind a bluff body.</p> <p data-bbox="298 1052 1024 1081">The VF1 has no moving parts and is built into a stainless steel pipe.</p> <p data-bbox="298 1110 1377 1165">The rugged design allows the VF1 to be used in a wide range of applications as a cost-effective and accurate flow transmitter.</p> <p data-bbox="298 1197 1349 1226">The VF1 is delivered with a Stainless steel, PN25/40 DN18/25/32, B16.5 1¼", Flange connection.</p> <p data-bbox="298 1257 407 1287"><b>Controls:</b></p> <p data-bbox="298 1287 846 1316">Outputs: 4-20 mA, 2 wires</p> <p data-bbox="298 1348 383 1377"><b>Liquid:</b></p> <p data-bbox="298 1377 797 1407">Liquid temperature range: -22 .. 248 °F</p> <p data-bbox="298 1438 423 1467"><b>Technical:</b></p> <p data-bbox="298 1467 805 1497">Approvals and markings: CE,CCSAUS</p> <p data-bbox="298 1497 764 1526">Measuring type: VORTEX</p> <p data-bbox="298 1558 415 1587"><b>Materials:</b></p> <p data-bbox="298 1587 821 1617">Material: Stainless steel</p> <p data-bbox="298 1617 821 1646">Connection mat.: Stainless steel</p> <p data-bbox="298 1677 440 1707"><b>Installation:</b></p> <p data-bbox="298 1707 797 1736">Range of ambient temperature: -67 .. 158 °F</p> <p data-bbox="298 1736 773 1766">Maximum operating pressure: 435.11 psi</p> <p data-bbox="298 1766 732 1795">Type of connection: Flange</p> <p data-bbox="298 1795 1019 1824">Pipework connection: PN25/40 DN18/25/32, B16.5 1¼"</p> <p data-bbox="298 1824 878 1854">Range of flow measurement: 2.64 .. 52.8 US gpm</p>

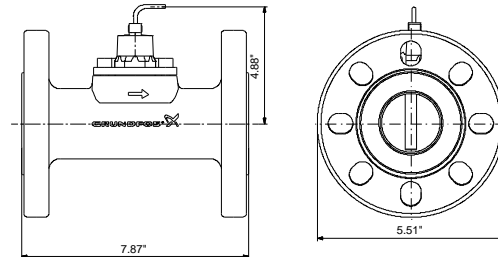


Company name:  
Created by:  
Phone:

Date: 8/20/2019

Count	Description												
	<p data-bbox="298 415 477 443"><b>Electrical data:</b></p> <table data-bbox="298 445 730 562"><tr><td data-bbox="298 445 600 472">Enclosure class (IEC 34-5):</td><td data-bbox="659 445 711 472">IP67</td></tr><tr><td data-bbox="298 474 477 501">Length of cable:</td><td data-bbox="659 474 730 501">16.4 ft</td></tr><tr><td data-bbox="298 504 350 531">Udc:</td><td data-bbox="659 504 711 531">30 V</td></tr><tr><td></td><td data-bbox="659 533 711 560">12 V</td></tr></table> <p data-bbox="298 594 386 621"><b>Others:</b></p> <table data-bbox="298 623 730 680"><tr><td data-bbox="298 623 422 651">Net weight:</td><td data-bbox="659 623 730 651">8.25 lb</td></tr><tr><td data-bbox="298 653 451 680">Gross weight:</td><td data-bbox="659 653 730 680">12.4 lb</td></tr></table>	Enclosure class (IEC 34-5):	IP67	Length of cable:	16.4 ft	Udc:	30 V		12 V	Net weight:	8.25 lb	Gross weight:	12.4 lb
Enclosure class (IEC 34-5):	IP67												
Length of cable:	16.4 ft												
Udc:	30 V												
	12 V												
Net weight:	8.25 lb												
Gross weight:	12.4 lb												

Description	Value
<b>General information:</b>	
Product name:	VFI/-0.6-12m/1/C/M5.00-X/EG 6/S
Product No.:	97688295
EAN:	5710621537902
	5710621537902
<b>Technical:</b>	
Flow range:	0.6-12 m <sup>3</sup> /h
Approvals and markings:	CE,CCSAUS
Measuring type:	VORTEX
<b>Materials:</b>	
Material:	Stainless steel
Connection mat.:	Stainless steel
<b>Installation:</b>	
Range of ambient temperature:	-67 .. 158 °F
Maximum operating pressure:	435.11 psi
Type of connection:	Flange
Pipework connection:	PN25/40 DN18/25/32, B16.5 1 1/4"
Range of flow measurement:	2.64 .. 52.8 US gpm
<b>Liquid:</b>	
Liquid temperature range:	-22 .. 248 °F
<b>Electrical data:</b>	
Enclosure class (IEC 34-5):	IP67
Length of cable:	16.4 ft
Udc:	30 V
	12 V
<b>Controls:</b>	
4-20 mA control:	YES
Outputs:	4-20 mA, 2 wires
<b>Others:</b>	
Brand:	GRUNDFOS DIRECT SENSORS
Net weight:	8.25 lb
Gross weight:	12.4 lb

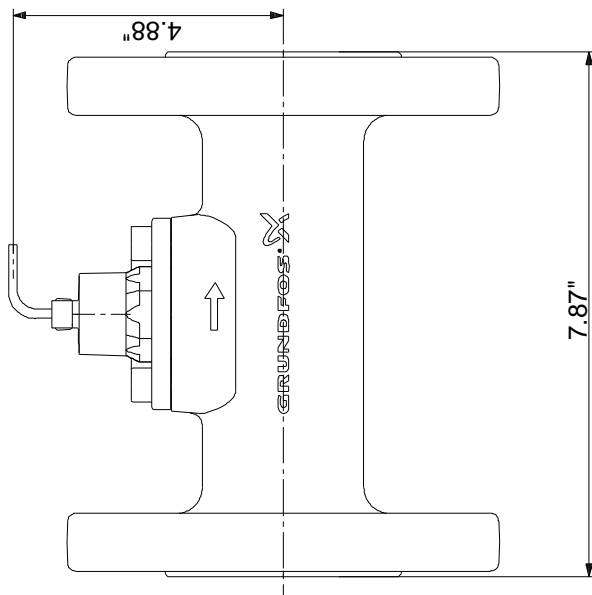
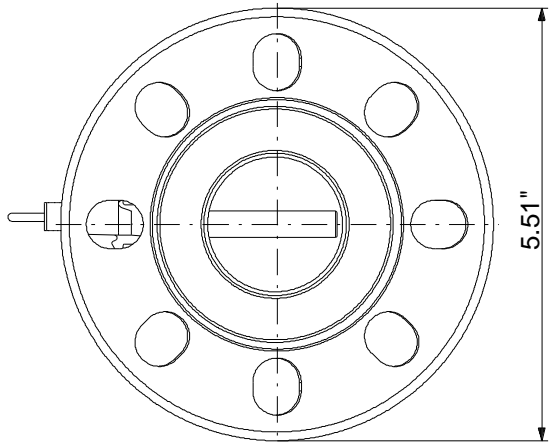




Company name:  
Created by:  
Phone:

Date: 8/20/2019

**97688295 VFI/-0.6-12m/1/C/M5.00-X/EG6/S 60 Hz**



Note! All units are in [in] unless otherwise stated.  
Disclaimer: This simplified dimensional drawing does not show all details.