

PROJECT: _____	UNIT TAG: _____	QUANTITY: _____
REPRESENTATIVE: _____	TYPE OF SERVICE: _____	DATE: _____
ENGINEER: _____	SUBMITTED BY: _____	DATE: _____
CONTRACTOR: _____	APPROVED BY: _____	DATE: _____
	ORDER NO.: _____	DATE: _____

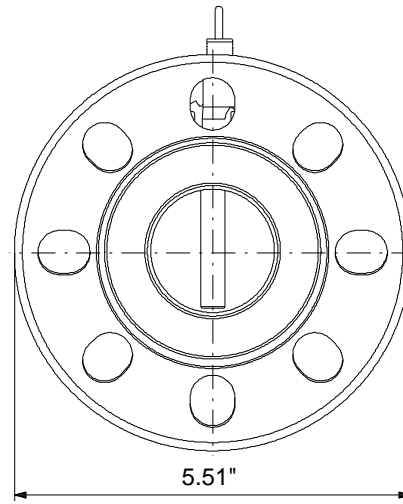
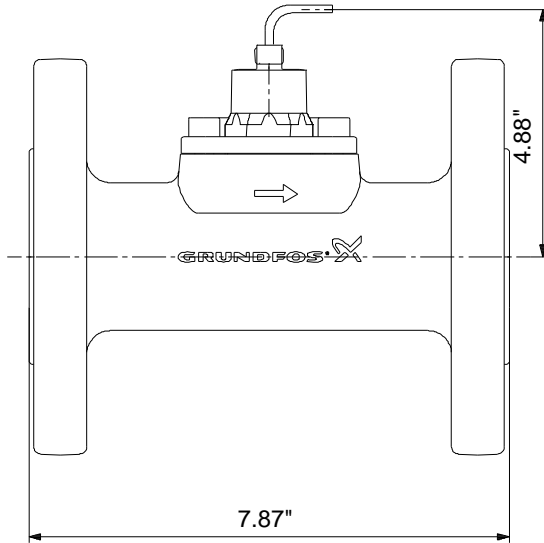
VFI/-0.6-12m/1/C/M5.00-X/VG6/S

Accessories




Product photo could vary from the actual product

Conditions of Service	Pump Data	Motor Data
Flow: _____	Maximum operating pressure: 435.11 psi	Enclosure class: IP67
Head: _____	Liquid temperature range: -22 .. 248 °F	
Efficiency: _____	Maximum ambient temperature: 158 °F	
Liquid: _____	Type of connection: Flange	
Temperature: _____	Product number: 97688296	
NPSH required: _____		
Viscosity: _____		
Specific Gravity: _____		



Materials:

Material: Stainless steel

Count	Description
1	<p data-bbox="298 415 669 443">VF1-0.6-12m/1/C/M5.00-X/VG6/S</p> <div data-bbox="326 604 646 724" style="text-align: center;">  </div> <p data-bbox="686 842 1138 867" style="text-align: center;">Product photo could vary from the actual product</p> <p data-bbox="298 875 561 903">Product No.: 97688296</p> <p data-bbox="298 932 1279 959">The VF1 is the industrial version (4-20 mA output) of the Grundfos vortex flow meter range.</p> <p data-bbox="298 993 1084 1020">The VF1 is based on the principle of vortex shedding behind a bluff body.</p> <p data-bbox="298 1054 1024 1081">The VF1 has no moving parts and is built into a stainless steel pipe.</p> <p data-bbox="298 1115 1377 1163">The rugged design allows the VF1 to be used in a wide range of applications as a cost-effective and accurate flow transmitter.</p> <p data-bbox="298 1197 1349 1224">The VF1 is delivered with a Stainless steel, PN25/40 DN18/25/32, B16.5 1¼", Flange connection.</p> <p data-bbox="298 1260 407 1287">Controls:</p> <p data-bbox="298 1289 846 1316">Outputs: 4-20 mA, 2 wires</p> <p data-bbox="298 1350 380 1377">Liquid:</p> <p data-bbox="298 1379 797 1407">Liquid temperature range: -22 .. 248 °F</p> <p data-bbox="298 1440 423 1467">Technical:</p> <p data-bbox="298 1470 805 1497">Approvals and markings: CE,CCSAUS</p> <p data-bbox="298 1499 764 1526">Measuring type: VORTEX</p> <p data-bbox="298 1560 415 1587">Materials:</p> <p data-bbox="298 1589 821 1617">Material: Stainless steel</p> <p data-bbox="298 1619 821 1646">Connection mat.: Stainless steel</p> <p data-bbox="298 1680 440 1707">Installation:</p> <p data-bbox="298 1709 797 1736">Range of ambient temperature: -67 .. 158 °F</p> <p data-bbox="298 1738 776 1766">Maximum operating pressure: 435.11 psi</p> <p data-bbox="298 1768 737 1795">Type of connection: Flange</p> <p data-bbox="298 1797 1019 1824">Pipework connection: PN25/40 DN18/25/32, B16.5 1¼"</p> <p data-bbox="298 1827 878 1854">Range of flow measurement: 2.64 .. 52.8 US gpm</p>

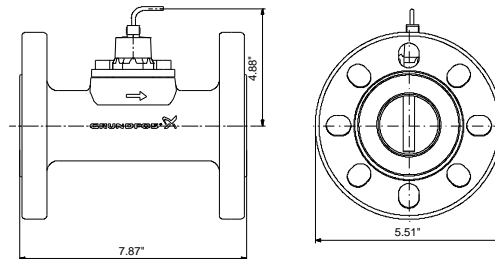


Company name:
Created by:
Phone:

Date: 8/19/2019

Count	Description												
	<p data-bbox="298 415 477 443">Electrical data:</p> <table data-bbox="298 445 730 562"><tr><td data-bbox="298 445 602 472">Enclosure class (IEC 34-5):</td><td data-bbox="659 445 711 472">IP67</td></tr><tr><td data-bbox="298 474 477 501">Length of cable:</td><td data-bbox="659 474 730 501">16.4 ft</td></tr><tr><td data-bbox="298 504 350 531">Udc:</td><td data-bbox="659 504 711 531">30 V</td></tr><tr><td></td><td data-bbox="659 533 711 560">12 V</td></tr></table> <p data-bbox="298 594 386 621">Others:</p> <table data-bbox="298 623 730 680"><tr><td data-bbox="298 623 423 651">Net weight:</td><td data-bbox="659 623 730 651">8.09 lb</td></tr><tr><td data-bbox="298 653 451 680">Gross weight:</td><td data-bbox="659 653 730 680">12.2 lb</td></tr></table>	Enclosure class (IEC 34-5):	IP67	Length of cable:	16.4 ft	Udc:	30 V		12 V	Net weight:	8.09 lb	Gross weight:	12.2 lb
Enclosure class (IEC 34-5):	IP67												
Length of cable:	16.4 ft												
Udc:	30 V												
	12 V												
Net weight:	8.09 lb												
Gross weight:	12.2 lb												

Description	Value
General information:	
Product name:	VFI/-0.6-12m/1/C/M5.00-X/VG 6/S
Product No.:	97688296
EAN:	5710621537919
	5710621537919
Technical:	
Flow range:	0.6-12 m ³ /h
Approvals and markings:	CE,CCSAUS
Measuring type:	VORTEX
Materials:	
Material:	Stainless steel
Connection mat.:	Stainless steel
Installation:	
Range of ambient temperature:	-67 .. 158 °F
Maximum operating pressure:	435.11 psi
Type of connection:	Flange
Pipework connection:	PN25/40 DN18/25/32, B16.5 1 1/4"
Range of flow measurement:	2.64 .. 52.8 US gpm
Liquid:	
Liquid temperature range:	-22 .. 248 °F
Electrical data:	
Enclosure class (IEC 34-5):	IP67
Length of cable:	16.4 ft
Udc:	30 V
	12 V
Controls:	
4-20 mA control:	YES
Outputs:	4-20 mA, 2 wires
Others:	
Brand:	GRUNDFOS DIRECT SENSORS
Net weight:	8.09 lb
Gross weight:	12.2 lb

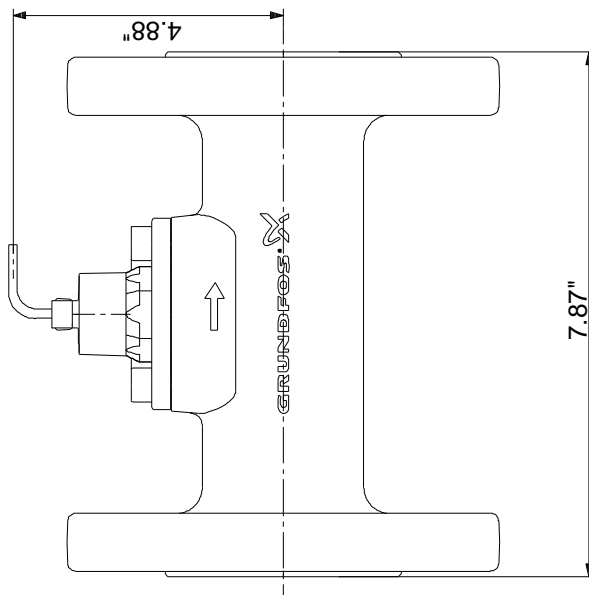
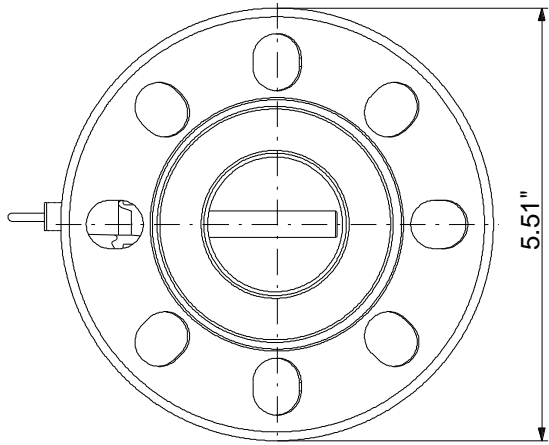




Company name:
Created by:
Phone:

Date: 8/19/2019

97688296 VFI/-0.6-12m/1/C/M5.00-X/VG6/S 60 Hz



Note! All units are in [in] unless otherwise stated.
Disclaimer: This simplified dimensional drawing does not show all details.