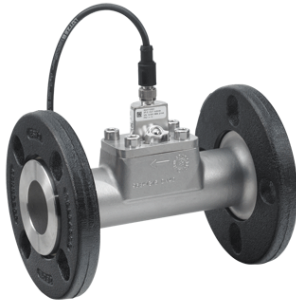


| | | |
|-----------------------|------------------------|-----------------|
| PROJECT: _____ | UNIT TAG: _____ | QUANTITY: _____ |
| REPRESENTATIVE: _____ | TYPE OF SERVICE: _____ | DATE: _____ |
| ENGINEER: _____ | SUBMITTED BY: _____ | DATE: _____ |
| CONTRACTOR: _____ | APPROVED BY: _____ | DATE: _____ |
| | ORDER NO.: _____ | DATE: _____ |

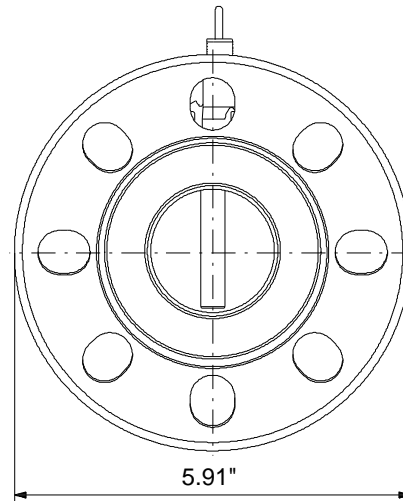
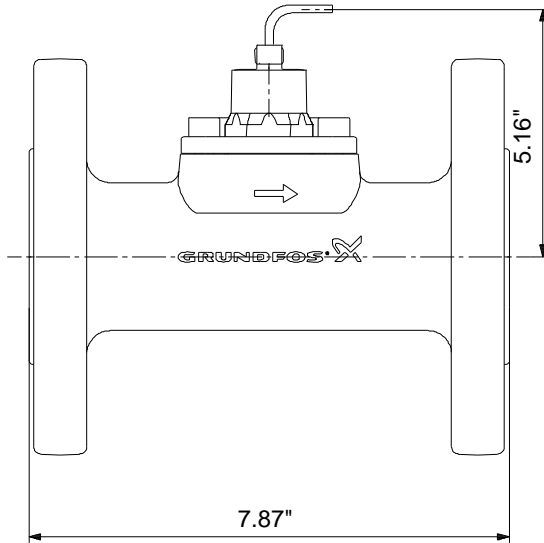
VFI/---2-40m/1/C/M5.00-X/EG6/S

Accessories



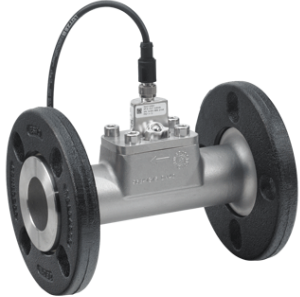
Product photo could vary from the actual product

| Conditions of Service | Pump Data | Motor Data |
|-------------------------|---|-----------------------|
| Flow: _____ | Maximum operating pressure: 435.11 psi | Enclosure class: IP67 |
| Head: _____ | Liquid temperature range: -22 .. 248 °F | |
| Efficiency: _____ | Maximum ambient temperature: 158 °F | |
| Liquid: _____ | Type of connection: Flange | |
| Temperature: _____ | Product number: 97688299 | |
| NPSH required: _____ | | |
| Viscosity: _____ | | |
| Specific Gravity: _____ | | |



Materials:

Material: Stainless steel

| Count | Description |
|-------|--|
| 1 | <p data-bbox="298 415 667 443">VFI---2-40m/1/C/M5.00-X/EG6/S</p> <div data-bbox="337 506 634 800" style="text-align: center;">  </div> <p data-bbox="683 842 1138 869" style="text-align: center;">Product photo could vary from the actual product</p> <p data-bbox="298 873 561 900">Product No.: 97688299</p> <p data-bbox="298 932 1281 959">The VFI is the industrial version (4-20 mA output) of the Grundfos vortex flow meter range.</p> <p data-bbox="298 991 1086 1018">The VFI is based on the principle of vortex shedding behind a bluff body.</p> <p data-bbox="298 1050 1026 1077">The VFI has no moving parts and is built into a stainless steel pipe.</p> <p data-bbox="298 1108 1378 1163">The rugged design allows the VFI to be used in a wide range of applications as a cost-effective and accurate flow transmitter.</p> <p data-bbox="298 1194 1344 1222">The VFI is delivered with a Stainless steel, DIN PN16/25/40 DN40, B16.5 2", Flange connection.</p> <p data-bbox="298 1253 410 1281">Controls:</p> <p data-bbox="298 1285 846 1312">Outputs: 4-20 mA, 2 wires</p> <p data-bbox="298 1344 383 1371">Liquid:</p> <p data-bbox="298 1375 797 1402">Liquid temperature range: -22 .. 248 °F</p> <p data-bbox="298 1434 423 1461">Technical:</p> <p data-bbox="298 1465 805 1493">Approvals and markings: CE,CCSAUS</p> <p data-bbox="298 1497 764 1524">Measuring type: VORTEX</p> <p data-bbox="298 1556 415 1583">Materials:</p> <p data-bbox="298 1587 821 1614">Material: Stainless steel</p> <p data-bbox="298 1619 821 1646">Connection mat.: Stainless steel</p> <p data-bbox="298 1677 440 1705">Installation:</p> <p data-bbox="298 1709 797 1736">Range of ambient temperature: -67 .. 158 °F</p> <p data-bbox="298 1740 776 1768">Maximum operating pressure: 435.11 psi</p> <p data-bbox="298 1772 737 1799">Type of connection: Flange</p> <p data-bbox="298 1803 1013 1831">Pipework connection: DIN PN16/25/40 DN40, B16.5 2"</p> <p data-bbox="298 1835 873 1862">Range of flow measurement: 8.81 .. 176 US gpm</p> |

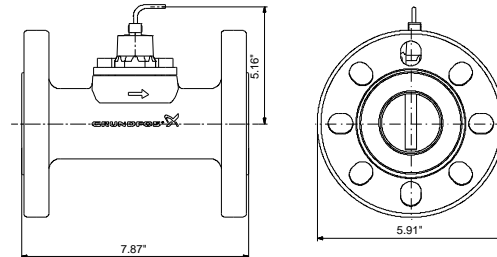


Company name:
Created by:
Phone:

Date: 8/19/2019

| Count | Description | | | | | | | | | | | | |
|-----------------------------|--|-----------------------------|------|------------------|---------|------|------|--|------|-------------|---------|---------------|---------|
| | <p data-bbox="298 415 477 443">Electrical data:</p> <table data-bbox="298 445 730 562"><tr><td data-bbox="298 445 602 472">Enclosure class (IEC 34-5):</td><td data-bbox="659 445 711 472">IP67</td></tr><tr><td data-bbox="298 474 477 501">Length of cable:</td><td data-bbox="659 474 730 501">16.4 ft</td></tr><tr><td data-bbox="298 504 350 531">Udc:</td><td data-bbox="659 504 711 531">30 V</td></tr><tr><td></td><td data-bbox="659 533 711 560">12 V</td></tr></table> <p data-bbox="298 594 386 621">Others:</p> <table data-bbox="298 623 730 680"><tr><td data-bbox="298 623 423 651">Net weight:</td><td data-bbox="659 623 730 651">9.97 lb</td></tr><tr><td data-bbox="298 653 451 680">Gross weight:</td><td data-bbox="659 653 730 680">14.2 lb</td></tr></table> | Enclosure class (IEC 34-5): | IP67 | Length of cable: | 16.4 ft | Udc: | 30 V | | 12 V | Net weight: | 9.97 lb | Gross weight: | 14.2 lb |
| Enclosure class (IEC 34-5): | IP67 | | | | | | | | | | | | |
| Length of cable: | 16.4 ft | | | | | | | | | | | | |
| Udc: | 30 V | | | | | | | | | | | | |
| | 12 V | | | | | | | | | | | | |
| Net weight: | 9.97 lb | | | | | | | | | | | | |
| Gross weight: | 14.2 lb | | | | | | | | | | | | |

| Description | Value |
|-------------------------------|---|
| General information: | |
| Product name: | VFI/---2-40m ³ /1/C/M5.00-X/EG 6/S |
| Product No.: | 97688299 |
| EAN: | 5710621537940 |
| | 5710621537940 |
| Technical: | |
| Flow range: | 2-40 m ³ /h |
| Approvals and markings: | CE,CCSAUS |
| Measuring type: | VORTEX |
| Materials: | |
| Material: | Stainless steel |
| Connection mat.: | Stainless steel |
| Installation: | |
| Range of ambient temperature: | -67 .. 158 °F |
| Maximum operating pressure: | 435.11 psi |
| Type of connection: | Flange |
| Pipework connection: | DIN PN16/25/40 DN40, B16.5 2" |
| Range of flow measurement: | 8.81 .. 176 US gpm |
| Liquid: | |
| Liquid temperature range: | -22 .. 248 °F |
| Electrical data: | |
| Enclosure class (IEC 34-5): | IP67 |
| Length of cable: | 16.4 ft |
| Udc: | 30 V |
| | 12 V |
| Controls: | |
| 4-20 mA control: | YES |
| Outputs: | 4-20 mA, 2 wires |
| Others: | |
| Brand: | GRUNDFOS DIRECT SENSORS |
| Net weight: | 9.97 lb |
| Gross weight: | 14.2 lb |

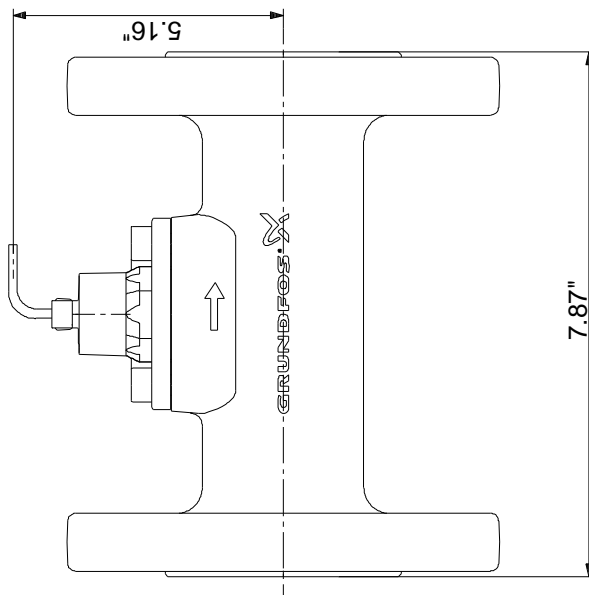
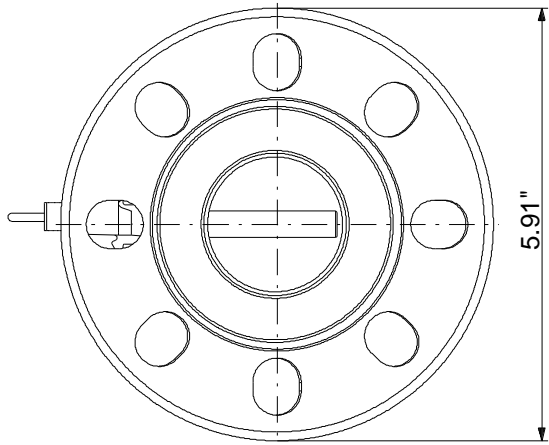




Company name:
Created by:
Phone:

Date: 8/19/2019

97688299 VFI/---2-40m/1/C/M5.00-X/EG6/S 60 Hz



Note! All units are in [in] unless otherwise stated.
Disclaimer: This simplified dimensional drawing does not show all details.