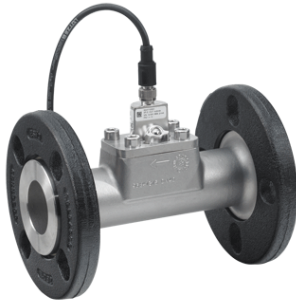


PROJECT: _____	UNIT TAG: _____	QUANTITY: _____
REPRESENTATIVE: _____	TYPE OF SERVICE: _____	DATE: _____
ENGINEER: _____	SUBMITTED BY: _____	DATE: _____
CONTRACTOR: _____	APPROVED BY: _____	DATE: _____
	ORDER NO.: _____	DATE: _____

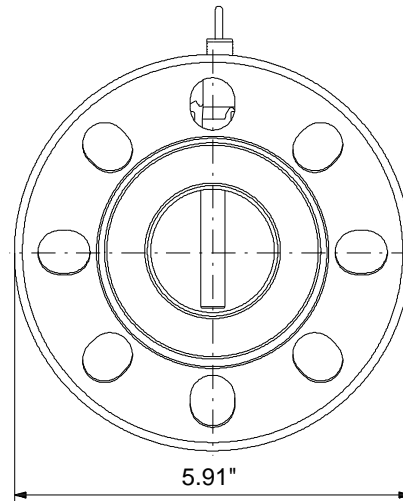
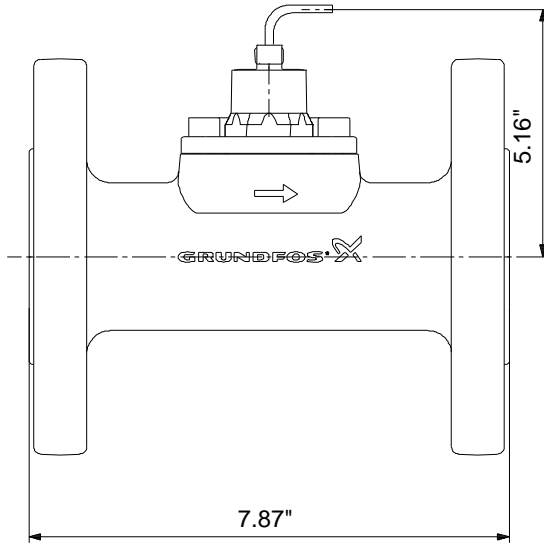
VFI/---2-40m/1/C/M5.00-X/VG6/S

Accessories



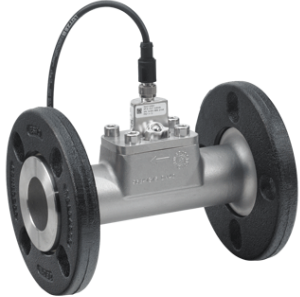
Product photo could vary from the actual product

Conditions of Service	Pump Data	Motor Data
Flow: _____	Maximum operating pressure: 435.11 psi	Enclosure class: IP67
Head: _____	Liquid temperature range: -22 .. 248 °F	
Efficiency: _____	Maximum ambient temperature: 158 °F	
Liquid: _____	Type of connection: Flange	
Temperature: _____	Product number: 97688300	
NPSH required: _____		
Viscosity: _____		
Specific Gravity: _____		



**Materials:**

Material: Stainless steel

Count	Description
1	<p data-bbox="298 415 667 443"><b>VFI---2-40m/1/C/M5.00-X/VG6/S</b></p> <div data-bbox="337 506 634 800" style="text-align: center;">  </div> <p data-bbox="683 842 1138 869" style="text-align: center;">Product photo could vary from the actual product</p> <p data-bbox="298 873 561 900">Product No.: <a href="#">97688300</a></p> <p data-bbox="298 932 1281 959">The VFI is the industrial version (4-20 mA output) of the Grundfos vortex flow meter range.</p> <p data-bbox="298 991 1086 1018">The VFI is based on the principle of vortex shedding behind a bluff body.</p> <p data-bbox="298 1050 1026 1077">The VFI has no moving parts and is built into a stainless steel pipe.</p> <p data-bbox="298 1108 1378 1163">The rugged design allows the VFI to be used in a wide range of applications as a cost-effective and accurate flow transmitter.</p> <p data-bbox="298 1194 1344 1222">The VFI is delivered with a Stainless steel, DIN PN16/25/40 DN40, B16.5 2", Flange connection.</p> <p data-bbox="298 1253 410 1281"><b>Controls:</b></p> <p data-bbox="298 1285 846 1312">Outputs: 4-20 mA, 2 wires</p> <p data-bbox="298 1344 383 1371"><b>Liquid:</b></p> <p data-bbox="298 1375 797 1402">Liquid temperature range: -22 .. 248 °F</p> <p data-bbox="298 1434 423 1461"><b>Technical:</b></p> <p data-bbox="298 1465 805 1493">Approvals and markings: CE,CCSAUS</p> <p data-bbox="298 1497 764 1524">Measuring type: VORTEX</p> <p data-bbox="298 1556 415 1583"><b>Materials:</b></p> <p data-bbox="298 1587 821 1614">Material: Stainless steel</p> <p data-bbox="298 1619 821 1646">Connection mat.: Stainless steel</p> <p data-bbox="298 1677 440 1705"><b>Installation:</b></p> <p data-bbox="298 1709 797 1736">Range of ambient temperature: -67 .. 158 °F</p> <p data-bbox="298 1740 776 1768">Maximum operating pressure: 435.11 psi</p> <p data-bbox="298 1772 737 1799">Type of connection: Flange</p> <p data-bbox="298 1803 1016 1831">Pipework connection: DIN PN16/25/40 DN40, B16.5 2"</p> <p data-bbox="298 1835 873 1862">Range of flow measurement: 8.81 .. 176 US gpm</p>

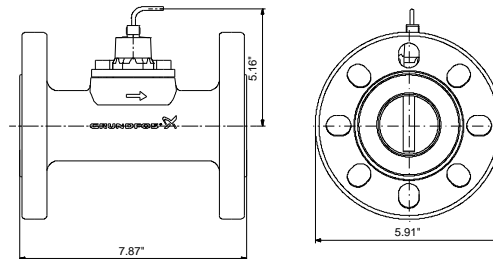


Company name:  
Created by:  
Phone:

Date: 8/19/2019

Count	Description
	<b>Electrical data:</b> Enclosure class (IEC 34-5): IP67 Length of cable: 16.4 ft Udc: 30 V 12 V
	<b>Others:</b> Net weight: 9.97 lb Gross weight: 14.2 lb

Description	Value
<b>General information:</b>	
Product name:	VFI/---2-40m <sup>3</sup> /1/C/M5.00-X/VG 6/S
Product No.:	97688300
EAN:	5710621537957
	5710621537957
<b>Technical:</b>	
Flow range:	2-40 m <sup>3</sup> /h
Approvals and markings:	CE,CCSAUS
Measuring type:	VORTEX
<b>Materials:</b>	
Material:	Stainless steel
Connection mat.:	Stainless steel
<b>Installation:</b>	
Range of ambient temperature:	-67 .. 158 °F
Maximum operating pressure:	435.11 psi
Type of connection:	Flange
Pipework connection:	DIN PN16/25/40 DN40, B16.5 2"
Range of flow measurement:	8.81 .. 176 US gpm
<b>Liquid:</b>	
Liquid temperature range:	-22 .. 248 °F
<b>Electrical data:</b>	
Enclosure class (IEC 34-5):	IP67
Length of cable:	16.4 ft
Udc:	30 V
	12 V
<b>Controls:</b>	
4-20 mA control:	YES
Outputs:	4-20 mA, 2 wires
<b>Others:</b>	
Brand:	GRUNDFOS DIRECT SENSORS
Net weight:	9.97 lb
Gross weight:	14.2 lb

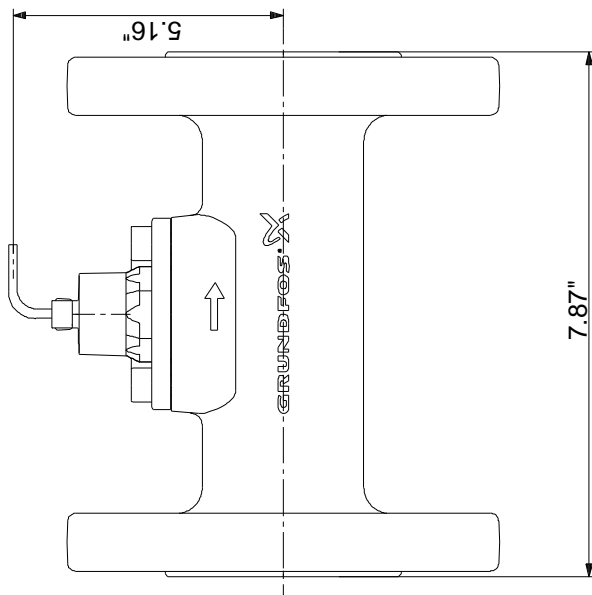
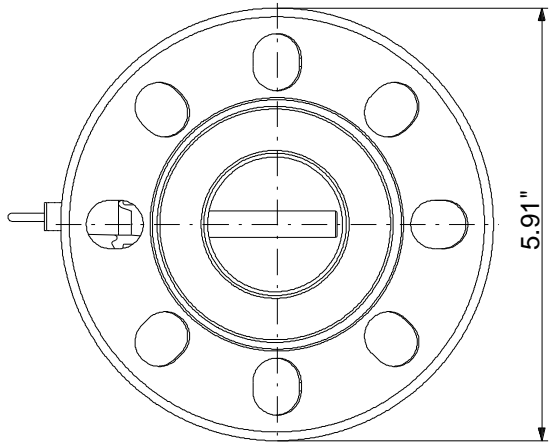




Company name:  
Created by:  
Phone:

Date: 8/19/2019

**97688300 VFI/---2-40m/1/C/M5.00-X/VG6/S 60 Hz**



Note! All units are in [in] unless otherwise stated.  
Disclaimer: This simplified dimensional drawing does not show all details.