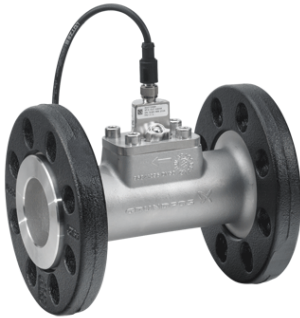


PROJECT: _____	UNIT TAG: _____	QUANTITY: _____
REPRESENTATIVE: _____	TYPE OF SERVICE: _____	DATE: _____
ENGINEER: _____	SUBMITTED BY: _____	DATE: _____
CONTRACTOR: _____	APPROVED BY: _____	DATE: _____
	ORDER NO.: _____	DATE: _____

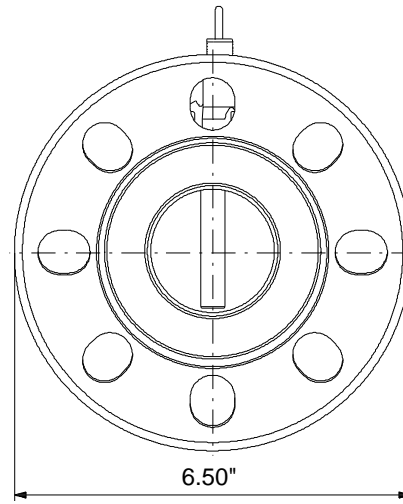
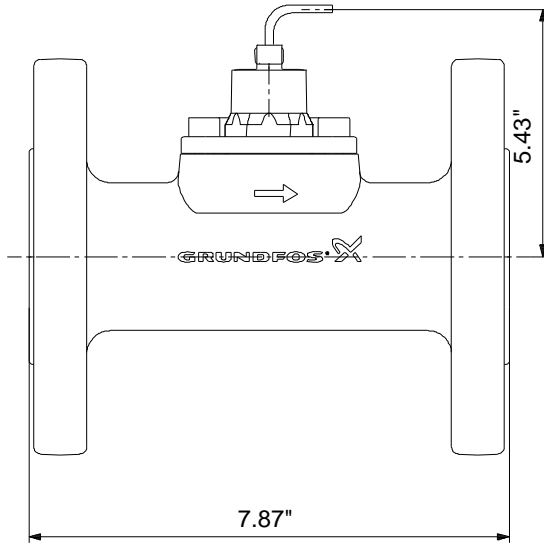
VFI/-3.2-64m/1/C/M5.00-X/VG6/S

Accessories



Product photo could vary from the actual product

Conditions of Service	Pump Data	Motor Data
Flow: _____	Maximum operating pressure: 435.11 psi	Enclosure class: IP67
Head: _____	Liquid temperature range: -22 .. 248 °F	
Efficiency: _____	Maximum ambient temperature: 158 °F	
Liquid: _____	Type of connection: Flange	
Temperature: _____	Product number: 97688302	
NPSH required: _____		
Viscosity: _____		
Specific Gravity: _____		



Materials:

Material: Stainless steel

Count	Description
1	<p data-bbox="298 415 669 445">VFI/3.2-64m/1/C/M5.00-X/VG6/S</p> <div data-bbox="337 491 636 806" data-label="Image"> </div> <p data-bbox="685 842 1138 867" style="text-align: center;">Product photo could vary from the actual product</p> <p data-bbox="298 875 561 905">Product No.: 97688302</p> <p data-bbox="298 932 1279 961">The VFI is the industrial version (4-20 mA output) of the Grundfos vortex flow meter range.</p> <p data-bbox="298 993 1084 1022">The VFI is based on the principle of vortex shedding behind a bluff body.</p> <p data-bbox="298 1052 1024 1081">The VFI has no moving parts and is built into a stainless steel pipe.</p> <p data-bbox="298 1110 1377 1165">The rugged design allows the VFI to be used in a wide range of applications as a cost-effective and accurate flow transmitter.</p> <p data-bbox="298 1197 1344 1226">The VFI is delivered with a Stainless steel, DIN PN16/25/40 DN50, B16.5 2", Flange connection.</p> <p data-bbox="298 1257 407 1287">Controls:</p> <p data-bbox="298 1287 846 1316">Outputs: 4-20 mA, 2 wires</p> <p data-bbox="298 1348 380 1377">Liquid:</p> <p data-bbox="298 1377 797 1407">Liquid temperature range: -22 .. 248 °F</p> <p data-bbox="298 1438 423 1467">Technical:</p> <p data-bbox="298 1467 805 1497">Approvals and markings: CE,CCSAUS</p> <p data-bbox="298 1497 764 1526">Measuring type: VORTEX</p> <p data-bbox="298 1558 415 1587">Materials:</p> <p data-bbox="298 1587 821 1617">Material: Stainless steel</p> <p data-bbox="298 1617 821 1646">Connection mat.: Stainless steel</p> <p data-bbox="298 1677 440 1707">Installation:</p> <p data-bbox="298 1707 797 1736">Range of ambient temperature: -67 .. 158 °F</p> <p data-bbox="298 1736 776 1766">Maximum operating pressure: 435.11 psi</p> <p data-bbox="298 1766 737 1795">Type of connection: Flange</p> <p data-bbox="298 1795 1013 1824">Pipework connection: DIN PN16/25/40 DN50, B16.5 2"</p> <p data-bbox="298 1824 873 1854">Range of flow measurement: 14.1 .. 282 US gpm</p>

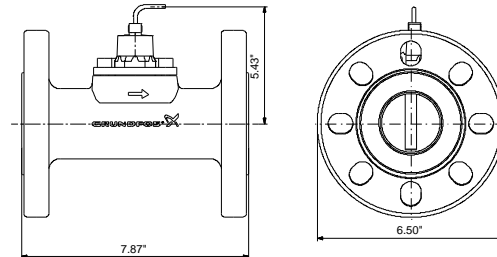


Company name:
Created by:
Phone:

Date: 8/19/2019

Count	Description
	Electrical data: Enclosure class (IEC 34-5): IP67 Length of cable: 16.4 ft Udc: 30 V 12 V
	Others: Net weight: 13.4 lb Gross weight: 18.5 lb

Description	Value
General information:	
Product name:	VFI/-3.2-64m/1/C/M5.00-X/VG 6/S
Product No.:	97688302
EAN:	5710621537971
	5710621537971
Technical:	
Flow range:	3.2-64 m ³ /h
Approvals and markings:	CE,CCSAUS
Measuring type:	VORTEX
Materials:	
Material:	Stainless steel
Connection mat.:	Stainless steel
Installation:	
Range of ambient temperature:	-67 .. 158 °F
Maximum operating pressure:	435.11 psi
Type of connection:	Flange
Pipework connection:	DIN PN16/25/40 DN50, B16.5 2"
Range of flow measurement:	14.1 .. 282 US gpm
Liquid:	
Liquid temperature range:	-22 .. 248 °F
Electrical data:	
Enclosure class (IEC 34-5):	IP67
Length of cable:	16.4 ft
Udc:	30 V
	12 V
Controls:	
4-20 mA control:	YES
Outputs:	4-20 mA, 2 wires
Others:	
Brand:	GRUNDFOS DIRECT SENSORS
Net weight:	13.4 lb
Gross weight:	18.5 lb

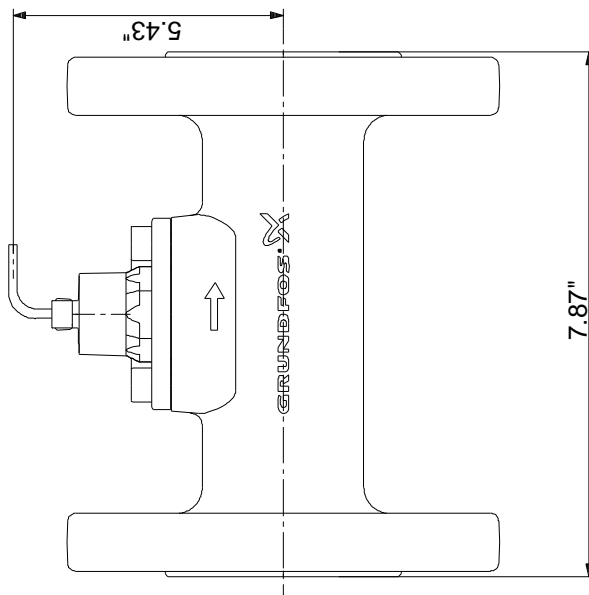
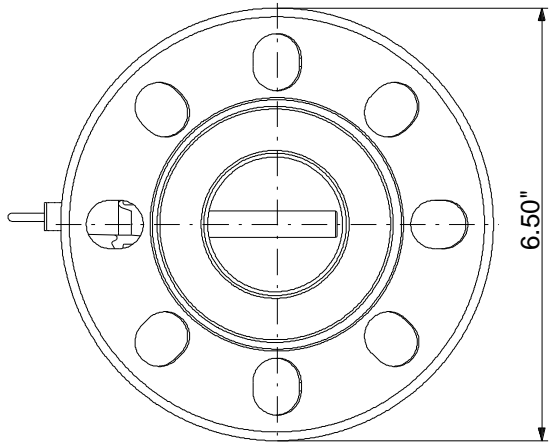




Company name:
Created by:
Phone:

Date: 8/19/2019

97688302 VFI/-3.2-64m/1/C/M5.00-X/VG6/S 60 Hz



Note! All units are in [in] unless otherwise stated.
Disclaimer: This simplified dimensional drawing does not show all details.