

| | | |
|-----------------------|------------------------|-----------------|
| PROJECT: _____ | UNIT TAG: _____ | QUANTITY: _____ |
| REPRESENTATIVE: _____ | TYPE OF SERVICE: _____ | DATE: _____ |
| ENGINEER: _____ | SUBMITTED BY: _____ | DATE: _____ |
| CONTRACTOR: _____ | APPROVED BY: _____ | DATE: _____ |
| | ORDER NO.: _____ | DATE: _____ |

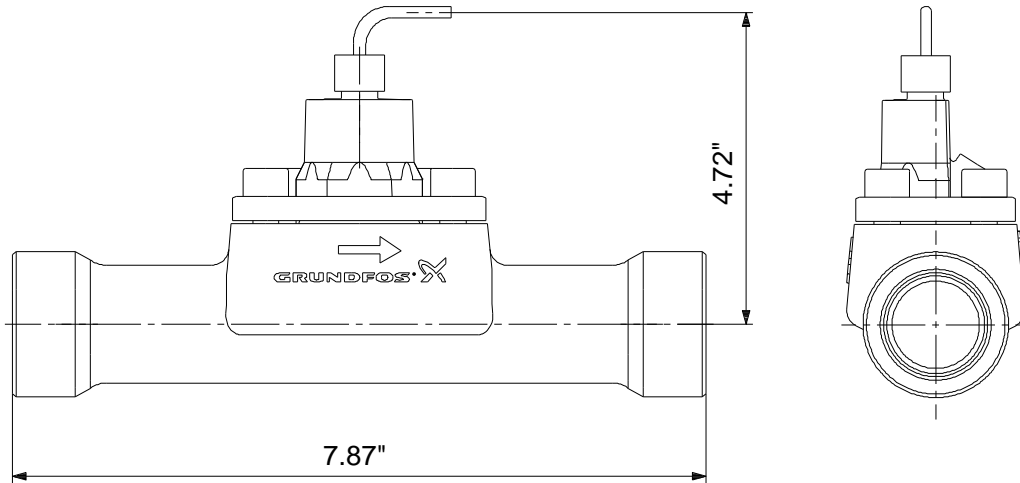
VFI/-0.6-12m/1/C/M5.00-X/VG6/S

Accessories




Product photo could vary from the actual product

| Conditions of Service | Pump Data | Motor Data |
|-------------------------|---|-----------------------|
| Flow: _____ | Maximum operating pressure: 435.11 psi | Enclosure class: IP67 |
| Head: _____ | Liquid temperature range: -22 .. 248 °F | |
| Efficiency: _____ | Maximum ambient temperature: 158 °F | |
| Liquid: _____ | Type of connection: NPT | |
| Temperature: _____ | Product number: 98126455 | |
| NPSH required: _____ | | |
| Viscosity: _____ | | |
| Specific Gravity: _____ | | |



Materials:

Material: Stainless steel

| Count | Description |
|-------|---|
| 1 | <p data-bbox="298 415 669 445">VFI-0.6-12m/1/C/M5.00-X/VG6/S</p> <div data-bbox="326 604 646 726" style="text-align: center;">  </div> <p data-bbox="686 842 1138 867" style="text-align: center;">Product photo could vary from the actual product</p> <p data-bbox="298 875 561 905">Product No.: 98126455</p> <p data-bbox="298 932 1279 961">The VFI is the industrial version (4-20 mA output) of the Grundfos vortex flow meter range.</p> <p data-bbox="298 993 1084 1022">The VFI is based on the principle of vortex shedding behind a bluff body.</p> <p data-bbox="298 1052 1024 1081">The VFI has no moving parts and is built into a stainless steel pipe.</p> <p data-bbox="298 1110 1377 1165">The rugged design allows the VFI to be used in a wide range of applications as a cost-effective and accurate flow transmitter.</p> <p data-bbox="298 1197 984 1226">The VFI is delivered with a Stainless steel, 1", NPT connection.</p> <p data-bbox="298 1257 407 1287">Controls:</p> <p data-bbox="298 1287 846 1316">Outputs: 4-20 mA, 2 wires</p> <p data-bbox="298 1348 380 1377">Liquid:</p> <p data-bbox="298 1377 797 1407">Liquid temperature range: -22 .. 248 °F</p> <p data-bbox="298 1438 423 1467">Technical:</p> <p data-bbox="298 1467 805 1497">Approvals and markings: CE,CCSAUS</p> <p data-bbox="298 1497 764 1526">Measuring type: VORTEX</p> <p data-bbox="298 1558 415 1587">Materials:</p> <p data-bbox="298 1587 821 1617">Material: Stainless steel</p> <p data-bbox="298 1617 821 1646">Connection mat.: Stainless steel</p> <p data-bbox="298 1677 440 1707">Installation:</p> <p data-bbox="298 1707 797 1736">Range of ambient temperature: -67 .. 158 °F</p> <p data-bbox="298 1736 776 1766">Maximum operating pressure: 435.11 psi</p> <p data-bbox="298 1766 711 1795">Type of connection: NPT</p> <p data-bbox="298 1795 683 1824">Pipework connection: 1"</p> <p data-bbox="298 1824 878 1854">Range of flow measurement: 2.64 .. 52.8 US gpm</p> |

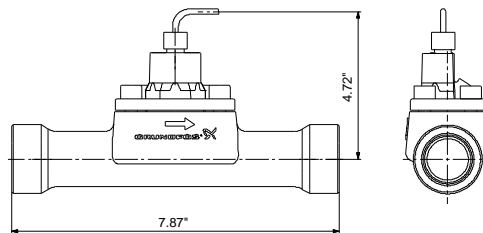


Company name:
Created by:
Phone:

Date: 8/19/2019

| Count | Description |
|-------|---|
| | <p data-bbox="298 415 477 443">Electrical data:</p> <p data-bbox="298 445 716 472">Enclosure class (IEC 34-5): IP67</p> <p data-bbox="298 474 716 501">Length of cable: 16.4 ft</p> <p data-bbox="298 504 716 531">Udc: 30 V</p> <p data-bbox="659 533 716 560">12 V</p> <p data-bbox="298 594 386 621">Others:</p> <p data-bbox="298 623 732 651">Net weight: 4.74 lb</p> <p data-bbox="298 653 732 680">Gross weight: 7.61 lb</p> |

| Description | Value |
|-------------------------------|---------------------------------|
| General information: | |
| Product name: | VFI/-0.6-12m/1/C/M5.00-X/VG 6/S |
| Product No.: | 98126455 |
| EAN: | 5710629493972 |
| | 5710629493972 |
| Technical: | |
| Flow range: | 0.6-12 m ³ /h |
| Approvals and markings: | CE,CCSAUS |
| Measuring type: | VORTEX |
| Materials: | |
| Material: | Stainless steel |
| Connection mat.: | Stainless steel |
| Installation: | |
| Range of ambient temperature: | -67 .. 158 °F |
| Maximum operating pressure: | 435.11 psi |
| Type of connection: | NPT |
| Pipework connection: | 1" |
| Range of flow measurement: | 2.64 .. 52.8 US gpm |
| Liquid: | |
| Liquid temperature range: | -22 .. 248 °F |
| Electrical data: | |
| Enclosure class (IEC 34-5): | IP67 |
| Length of cable: | 16.4 ft |
| Udc: | 30 V |
| | 12 V |
| Controls: | |
| 4-20 mA control: | YES |
| Outputs: | 4-20 mA, 2 wires |
| Others: | |
| Brand: | GRUNDFOS DIRECT SENSORS |
| Net weight: | 4.74 lb |
| Gross weight: | 7.61 lb |

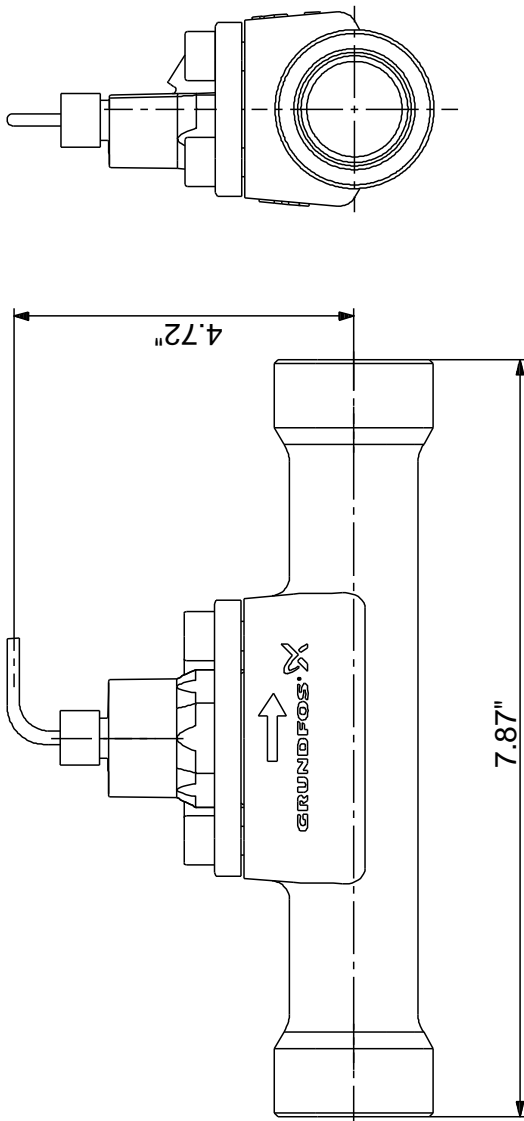




Company name:
Created by:
Phone:

Date: 8/19/2019

98126455 VFI/-0.6-12m/1/C/M5.00-X/VG6/S 60 Hz



Note! All units are in [in] unless otherwise stated.
Disclaimer: This simplified dimensional drawing does not show all details.