

PROJECT: _____	UNIT TAG: _____	QUANTITY: _____
REPRESENTATIVE: _____	TYPE OF SERVICE: _____	DATE: _____
ENGINEER: _____	SUBMITTED BY: _____	DATE: _____
CONTRACTOR: _____	APPROVED BY: _____	DATE: _____
	ORDER NO.: _____	DATE: _____

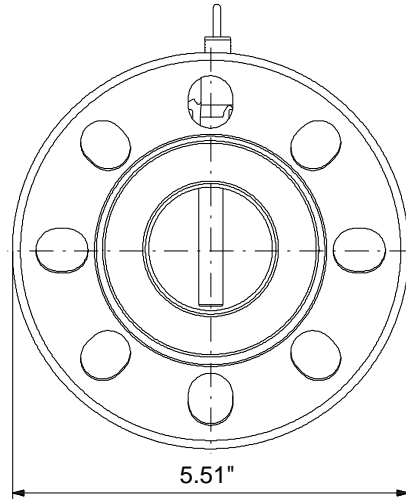
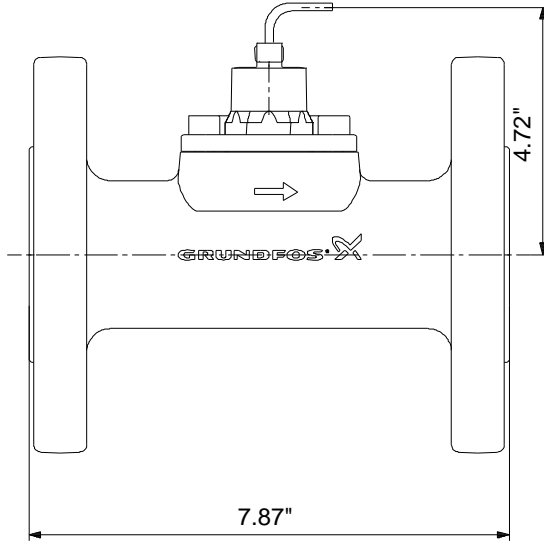
VFI/--0.3-6m/1/C/M5.00-X/EG6/S

Accessories




Product photo could vary from the actual product

Conditions of Service	Pump Data	Motor Data
Flow: _____	Maximum operating pressure: 435.11 psi	Enclosure class: IP67
Head: _____	Liquid temperature range: -22 .. 248 °F	
Efficiency: _____	Maximum ambient temperature: 158 °F	
Liquid: _____	Type of connection: Flange	
Temperature: _____	Product number: 97686127	
NPSH required: _____		
Viscosity: _____		
Specific Gravity: _____		



**Materials:**

Material: Stainless steel

Count	Description
1	<p data-bbox="298 415 665 445"><b>VFI--0.3-6m/1/C/M5.00-X/EG6/S</b></p> <div data-bbox="316 588 657 724" style="text-align: center;">  </div> <p data-bbox="685 842 1138 867" style="text-align: center;">Product photo could vary from the actual product</p> <p data-bbox="298 875 561 905">Product No.: <a href="#">97686127</a></p> <p data-bbox="298 932 1281 961">The VFI is the industrial version (4-20 mA output) of the Grundfos vortex flow meter range.</p> <p data-bbox="298 993 1086 1022">The VFI is based on the principle of vortex shedding behind a bluff body.</p> <p data-bbox="298 1052 1026 1081">The VFI has no moving parts and is built into a stainless steel pipe.</p> <p data-bbox="298 1110 1377 1163">The rugged design allows the VFI to be used in a wide range of applications as a cost-effective and accurate flow transmitter.</p> <p data-bbox="298 1194 1289 1224">The VFI is delivered with a Cast iron, PN25/40 DN18/25/32, B16.5 1¼", Flange connection.</p> <p data-bbox="298 1255 410 1285"><b>Controls:</b></p> <p data-bbox="298 1287 844 1316">Outputs: 4-20 mA, 2 wires</p> <p data-bbox="298 1346 383 1375"><b>Liquid:</b></p> <p data-bbox="298 1377 795 1407">Liquid temperature range: -22 .. 248 °F</p> <p data-bbox="298 1436 423 1465"><b>Technical:</b></p> <p data-bbox="298 1467 803 1497">Approvals and markings: CE,CCSAUS</p> <p data-bbox="298 1499 763 1528">Measuring type: VORTEX</p> <p data-bbox="298 1558 415 1587"><b>Materials:</b></p> <p data-bbox="298 1589 818 1619">Material: Stainless steel</p> <p data-bbox="298 1621 758 1650">Connection mat.: Cast iron</p> <p data-bbox="298 1680 440 1709"><b>Installation:</b></p> <p data-bbox="298 1711 795 1740">Range of ambient temperature: -67 .. 158 °F</p> <p data-bbox="298 1743 774 1772">Maximum operating pressure: 435.11 psi</p> <p data-bbox="298 1774 735 1803">Type of connection: Flange</p> <p data-bbox="298 1806 1019 1835">Pipework connection: PN25/40 DN18/25/32, B16.5 1¼"</p> <p data-bbox="298 1837 878 1866">Range of flow measurement: 1.32 .. 26.4 US gpm</p>

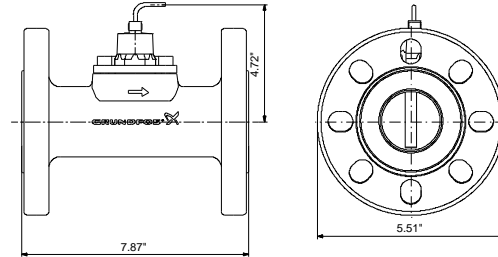


Company name:  
Created by:  
Phone:

Date: 8/16/2019

Count	Description
	<b>Electrical data:</b> Enclosure class (IEC 34-5): IP67 Length of cable: 16.4 ft Udc: 30 V 12 V
	<b>Others:</b> Net weight: 9.99 lb Gross weight: 14.1 lb

Description	Value
<b>General information:</b>	
Product name:	VFI/-0.3-6m/1/C/M5.00-X/EG 6/S
Product No.:	97686127
EAN:	5710621489973
	5710621489973
<b>Technical:</b>	
Flow range:	0.3-6 m <sup>3</sup> /h
Approvals and markings:	CE,CCSAUS
Measuring type:	VORTEX
<b>Materials:</b>	
Material:	Stainless steel
Connection mat.:	Cast iron
<b>Installation:</b>	
Range of ambient temperature:	-67 .. 158 °F
Maximum operating pressure:	435.11 psi
Type of connection:	Flange
Pipework connection:	PN25/40 DN18/25/32, B16.5 1 1/4"
Range of flow measurement:	1.32 .. 26.4 US gpm
<b>Liquid:</b>	
Liquid temperature range:	-22 .. 248 °F
<b>Electrical data:</b>	
Enclosure class (IEC 34-5):	IP67
Length of cable:	16.4 ft
Udc:	30 V
	12 V
<b>Controls:</b>	
4-20 mA control:	YES
Outputs:	4-20 mA, 2 wires
<b>Others:</b>	
Brand:	GRUNDFOS DIRECT SENSORS
Net weight:	9.99 lb
Gross weight:	14.1 lb

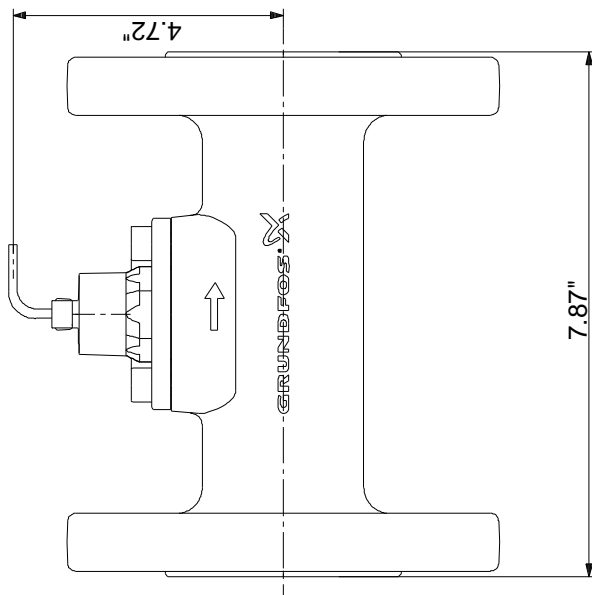
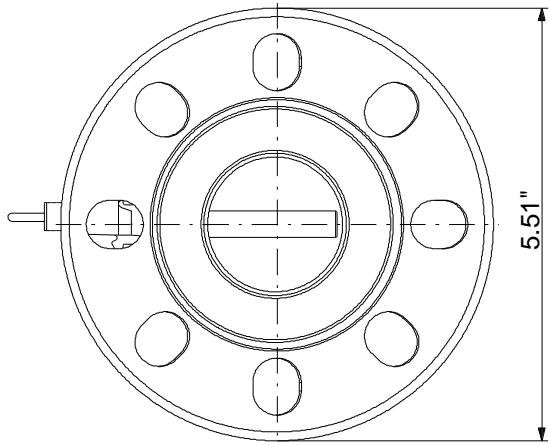




Company name:  
Created by:  
Phone:

Date: 8/16/2019

97686127 VFI/--0.3-6m/1/C/M5.00-X/EG6/S 60 Hz



Note! All units are in [in] unless otherwise stated.  
Disclaimer: This simplified dimensional drawing does not show all details.