
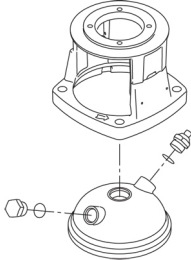
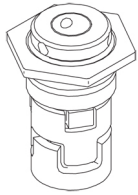


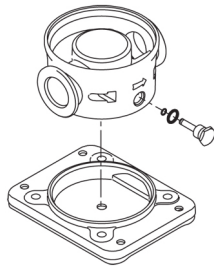
| Count | Description  |
|-------|--|
| 1     | <p data-bbox="225 338 544 360"><b>CRI 1S-12 A-CA-A-E-HQQE</b></p>  <p data-bbox="225 663 488 685">Product No.: <a href="#">96081231</a></p> <p data-bbox="225 719 1430 797">Vertical, multistage centrifugal pump with inlet and outlet ports on same the level (inline). Pump materials in contact with the liquid are in stainless steel. Power transmission is via a rigid split coupling. Pipe connection is via FlexiClamps.</p> <p data-bbox="225 835 959 857">The pump is fitted with a 3-phase, fan-cooled asynchronous motor.</p> <p data-bbox="225 864 959 887">The pump is fitted with a 3-phase, fan-cooled asynchronous motor.</p> <p data-bbox="225 925 544 947"><b>Further product details</b></p> <p data-bbox="225 958 1453 1059">Steel, cast iron and aluminium components have an epoxy-based coating made in a cathodic electro-deposition (CED) process. CED is a high-quality dip-painting process where an electrical field around the products ensures deposition of paint particles as a thin, well-controlled layer on the surface. An integral part of the process is a pretreatment. The entire process consists of these elements:</p> <ol data-bbox="225 1070 719 1189" style="list-style-type: none"> <li>1) Alkaline-based cleaning.</li> <li>2) Zinc phosphating.</li> <li>3) Cathodic electro-deposition.</li> <li>4) Curing to a dry film thickness 18-22 my m.</li> </ol> <p data-bbox="225 1193 935 1216">The colour code for the finished product is NCS 9000/RAL 9005.</p> <p data-bbox="225 1249 309 1272"><b>Pump</b></p> <p data-bbox="225 1283 1390 1339">The pump head and flange for motor mounting is made in one piece (cast iron). The pump head cover is a separate component (stainless steel). The pump head has a combined 1/2" priming plug and vent screw.</p>  <p data-bbox="225 1637 1422 1738">The pump is fitted with a balanced O-ring seal unit with a rigid torque-transmission system. This seal type is assembled in a cartridge unit which makes replacement safe and easy. Due to the balancing, this seal type is suitable for high-pressure applications. The cartridge construction also protects the pump shaft from possible wear from a dynamic O-ring between pump shaft and shaft seal.</p> <p data-bbox="225 1749 368 1771">Primary seal:</p> <ul data-bbox="264 1783 823 1839" style="list-style-type: none"> <li>• Rotating seal ring material: silicon carbide (SiC)</li> <li>• Stationary seat material: silicon carbide (SiC)</li> </ul> <p data-bbox="225 1843 1422 1888">This material pairing is used where higher corrosion resistance is required. The high hardness of this material pairing offers good resistance against abrasive particles.</p> <p data-bbox="225 1899 887 1921">Secondary seal material: EPDM (ethylene-propylene rubber)</p> <p data-bbox="225 1928 1126 1951">EPDM has excellent resistance to hot water. EPDM is not suitable for mineral oils.</p> |



The shaft seal is screwed into the pump head.

The pump has a special air-cooled shaft-seal chamber generating the same insulation effect as that of a vacuum flask. No external cooling is necessary; the ambient temperature is sufficient. An automatic vent vents the pump seal chamber.

The pump has a stainless-steel base mounted on a separate base plate. The base and base plate are kept in position by the tension of the staybolts which hold the pump together. The outlet side of the base has a combined drain plug and bypass valve. The pump is secured to the foundation by four bolts through the base plate. The base is prepared for connection by means of FlexiClamp couplings.



## Motor

The motor is a totally enclosed, fan-cooled motor with principal dimensions to IEC and DIN standards. The motor is flange-mounted with tapped-hole flange (FT).

Motor-mounting designation in accordance with IEC 60034-7: IM B 14 (Code I) / IM 3601 (Code II).

Electrical tolerances comply with IEC 60034.

The motor does not incorporate motor protection and must be connected to a motor-protective circuit breaker which can be manually reset. The motor-protective circuit breaker must be set according to the rated current of the motor (I1/1).

## Technical data

### Controls:

Frequency converter: NONE

### Liquid:

Pumped liquid: Water  
Liquid temperature range: -4 .. 248 °F  
Selected liquid temperature: 68 °F  
Density: 62.29 lb/ft<sup>3</sup>

### Technical:

Rated pump speed: 3439 rpm  
Rated flow: 4.84 US gpm  
Rated head: 216.5 ft  
Pump orientation: Vertical  
Shaft seal arrangement: Single  
Code for shaft seal: HQQE  
Approvals on nameplate: CURUS, NSF61  
Curve tolerance: ISO9906:2012 3B

### Materials:

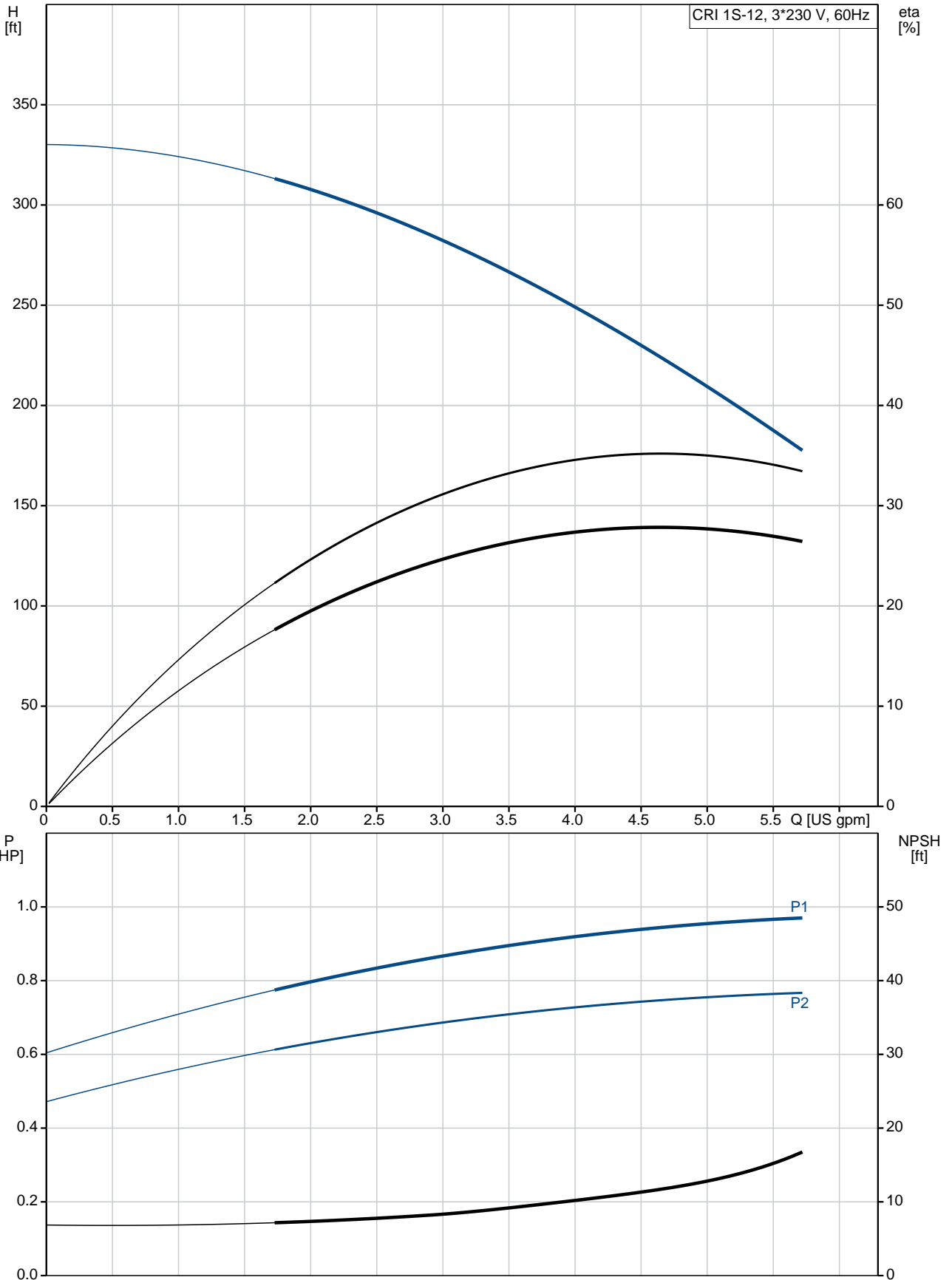
| Count | Description  |
|-------|--|
|       | Base: Stainless steel<br>EN 1.4408<br>AISI 316   |
|       | Impeller: Stainless steel<br>EN 1.4301<br>AISI 304   |
|       | Bearing: SIC   |
|       | <b>Installation:</b><br>Maximum ambient temperature: 104 °F<br>Maximum operating pressure: 362.59 psi<br>Max pressure at stated temperature: 363 psi / 250 °F<br>363 psi / -4 °F<br>Type of connection: FlexiClamp<br>Size of inlet connection: DN 32<br>Size of outlet connection: DN 32<br>Pressure rating for pipe connection: PN 25<br>Flange size for motor: 56C  |
|       | <b>Electrical data:</b><br>Motor standard: NEMA<br>Motor type: 71BA<br>Rated power - P2: 0.75 HP<br>Power (P2) required by pump: 0.75 HP<br>Main frequency: 60 Hz<br>Rated voltage: 3 x 208-230YY/460Y V<br>Service factor: 1.25<br>Rated current: 2,40-2,30/1,20 A<br>Starting current: 590-650 %<br>Cos phi - power factor: 0.84-0.78<br>Rated speed: 3430-3460 rpm<br>Motor efficiency at full load: 79.0-80.0 %<br>Number of poles: 2<br>Enclosure class (IEC 34-5): 55 Dust/Jetting<br>Insulation class (IEC 85): F<br>Motor Number: 85900702 |
|       | <b>Others:</b><br>Net weight: 50.4 lb<br>Gross weight: 61.4 lb<br>Shipping volume: 6.11 ft <sup>3</sup><br>Country of origin: US<br>Custom tariff no.: 8413.70.2040  |



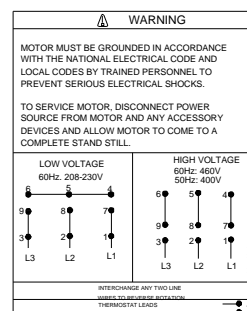
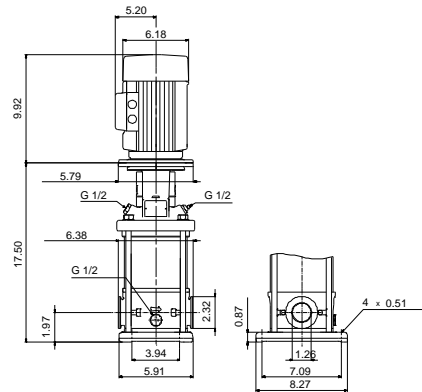
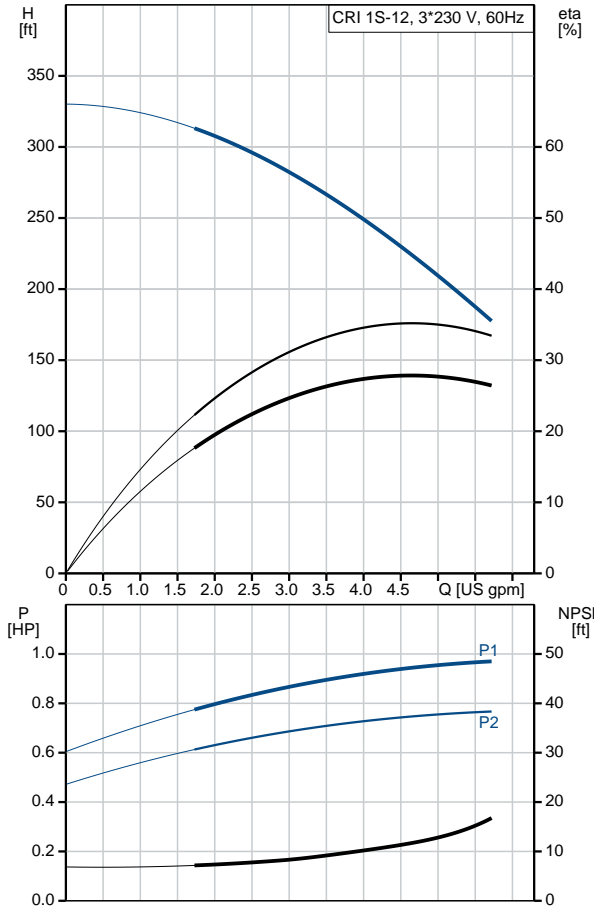
Company name:  
Created by:  
Phone:

Date: 9/26/2019

### 96081231 CRI 1S-12 A-CA-A-E-HQQE 60 Hz



| Description                           | Value                                    |
|---------------------------------------|--|
| <b>General information:</b>           |  |
| Product name:                         | CRI 1S-12<br>A-CA-A-E-HQQE               |
| Product No.:                          | 96081231                                 |
| EAN:                                  | 5700395156751<br>5700395156751           |
| <b>Technical:</b>                     |  |
| Rated pump speed:                     | 3439 rpm                                 |
| Rated flow:                           | 4.84 US gpm                              |
| Rated head:                           | 216.5 ft                                 |
| Head max:                             | 329.4 ft                                 |
| Stages:                               | 12                                       |
| Impellers:                            | 12                                       |
| Number of reduced-diameter impellers: | 0  |
| Low NPSH:                             | N  |
| Pump orientation:                     | Vertical                                 |
| Shaft seal arrangement:               | Single                                   |
| Code for shaft seal:                  | HQQE                                     |
| Approvals on nameplate:               | CURUS,NSF61                              |
| Curve tolerance:                      | ISO9906:2012 3B                          |
| Pump version:                         | A  |
| Model:                                | A  |
| Cooling:                              | TEFC                                     |
| <b>Materials:</b>                     |  |
| Base:                                 | Stainless steel<br>EN 1.4408<br>AISI 316 |
| Impeller:                             | Stainless steel<br>EN 1.4301<br>AISI 304 |
| Material code:                        | A  |
| Code for rubber:                      | E  |
| Bearing:                              | SIC                                      |
| <b>Installation:</b>                  |  |
| Maximum ambient temperature:          | 104 °F                                   |
| Maximum operating pressure:           | 362.59 psi                               |
| Max pressure at stated temperature:   | 363 psi / 250 °F<br>363 psi / -4 °F      |
| Type of connection:                   | FlexiClamp                               |
| Size of inlet connection:             | DN 32                                    |
| Size of outlet connection:            | DN 32                                    |
| Pressure rating for pipe connection:  | PN 25                                    |
| Flange size for motor:                | 56C                                      |
| Connect code:                         | CA                                       |
| <b>Liquid:</b>                        |  |
| Pumped liquid:                        | Water                                    |
| Liquid temperature range:             | -4 .. 248 °F                             |
| Selected liquid temperature:          | 68 °F                                    |
| Density:                              | 62.29 lb/ft <sup>3</sup>                 |
| <b>Electrical data:</b>               |  |
| Motor standard:                       | NEMA                                     |
| Motor type:                           | 71BA                                     |
| Rated power - P2:                     | 0.75 HP                                  |
| Power (P2) required by pump:          | 0.75 HP                                  |
| Main frequency:                       | 60 Hz                                    |
| Rated voltage:                        | 3 x 208-230YY/460Y V                     |
| Service factor:                       | 1.25                                     |
| Rated current:                        | 2,40-2,30/1,20 A                         |





Company name:

Created by:

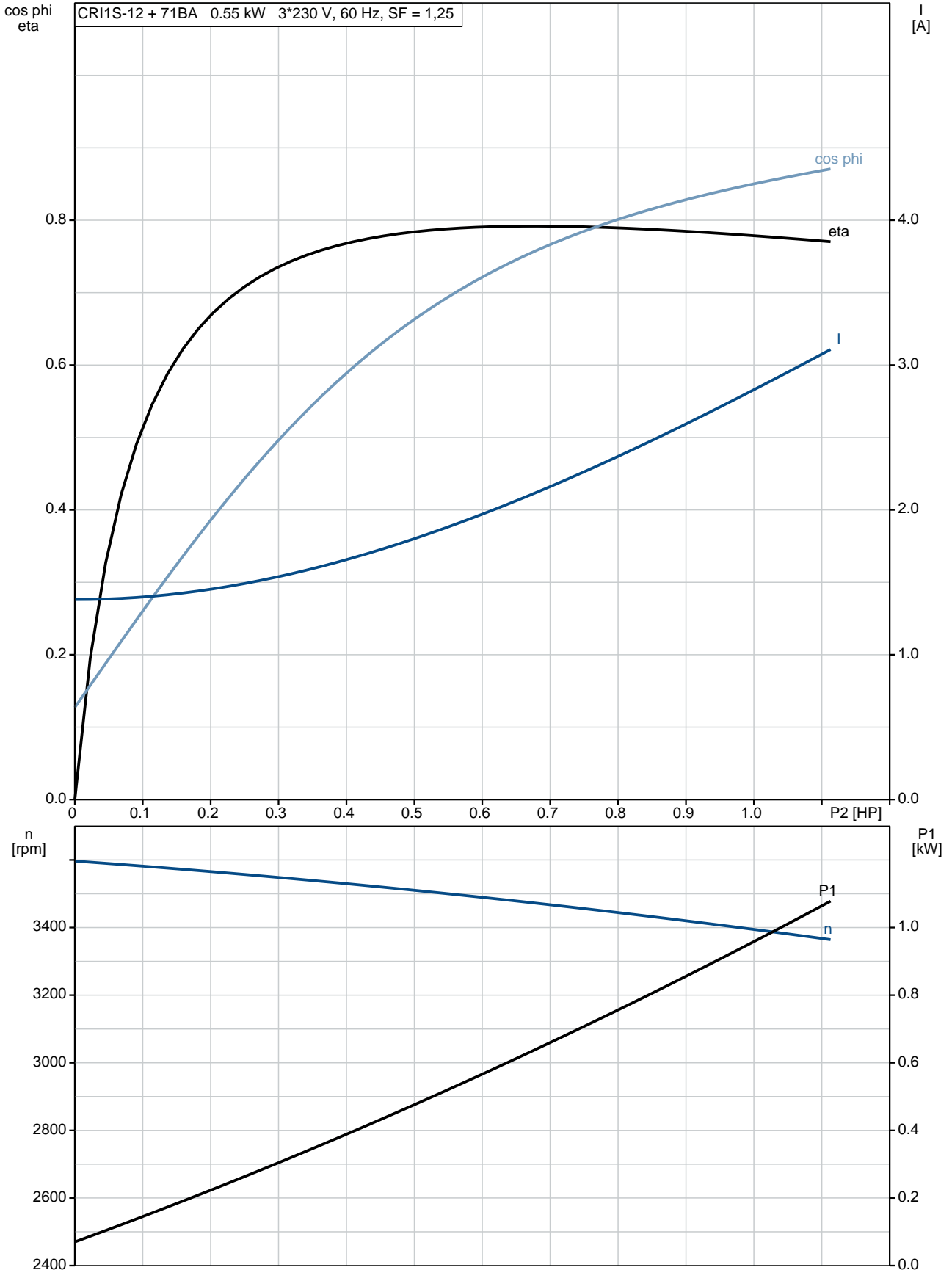
Phone:

Date:

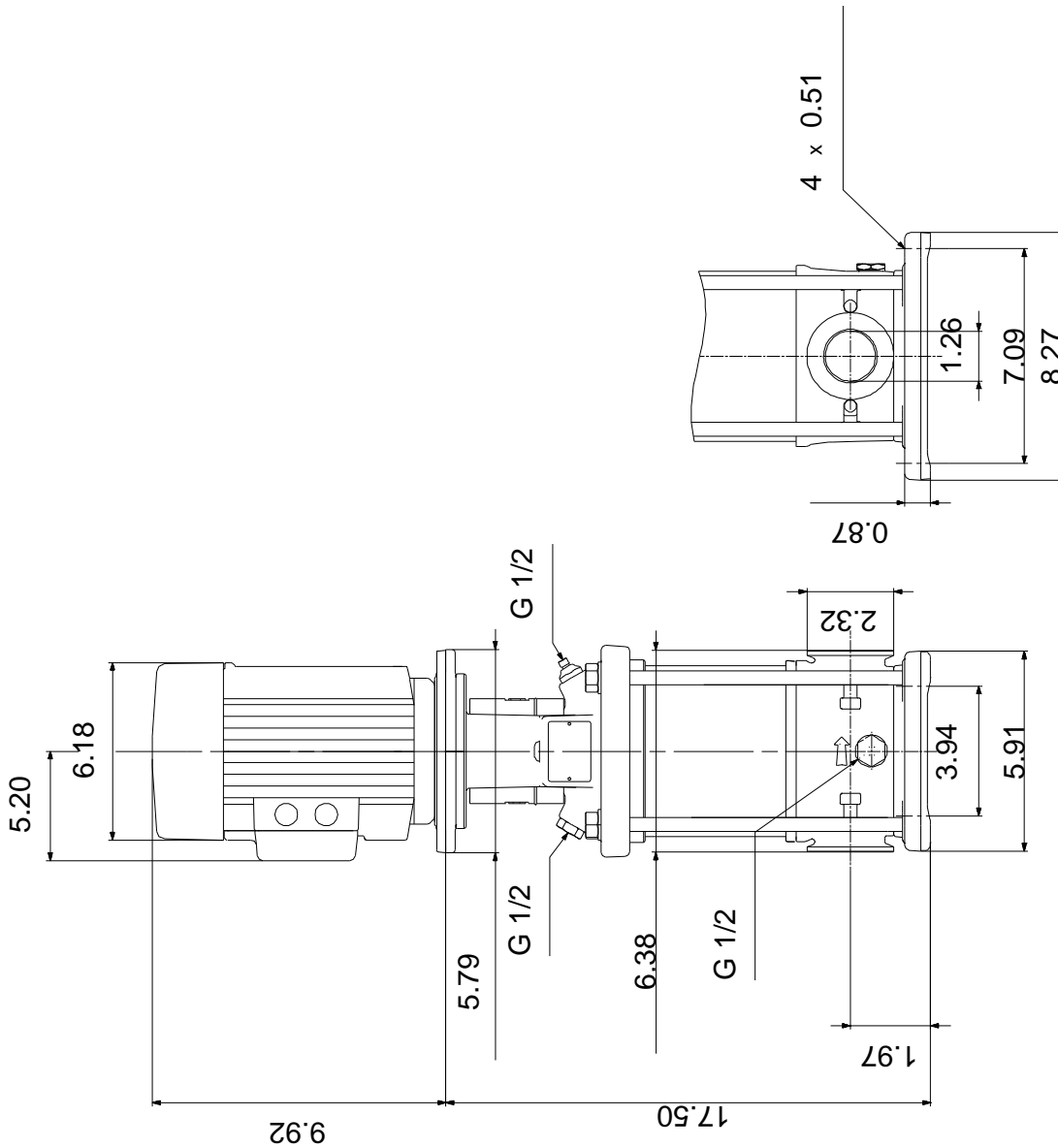
9/26/2019

| Description                    | Value                |
|--------------------------------|----------------------|
| Starting current:              | 590-650 %            |
| Load current:                  | 2,9-2,75/1,4 A       |
| Cos phi - power factor:        | 0.84-0.78            |
| Rated speed:                   | 3430-3460 rpm        |
| Motor efficiency at full load: | 79.0-80.0 %          |
| Number of poles:               | 2                    |
| Enclosure class (IEC 34-5):    | 55 Dust/Jetting      |
| Insulation class (IEC 85):     | F                    |
| Motor protection:              | NONE                 |
| Motor Number:                  | 85900702             |
| <b>Controls:</b>               |                      |
| Frequency converter:           | NONE                 |
| <b>Others:</b>                 |                      |
| Net weight:                    | 50.4 lb              |
| Gross weight:                  | 61.4 lb              |
| Shipping volume:               | 6.11 ft <sup>3</sup> |
| Country of origin:             | US                   |
| Custom tariff no.:             | 8413.70.2040         |

## 96081231 CRI 1S-12 A-CA-A-E-HQQE 60 Hz



**96081231 CRI 1S-12 A-CA-A-E-HQQE 60 Hz**



Note! All units are in [in] unless otherwise stated.  
 Disclaimer: This simplified dimensional drawing does not show all details.



## 96081231 CRI 1S-12 A-CA-A-E-HQQE 60 Hz

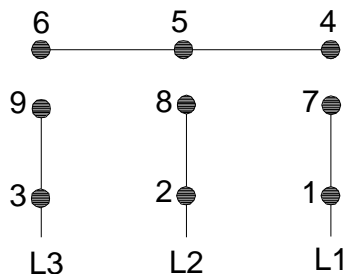


### WARNING

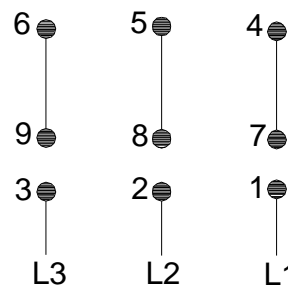
MOTOR MUST BE GROUNDED IN ACCORDANCE WITH THE NATIONAL ELECTRICAL CODE AND LOCAL CODES BY TRAINED PERSONNEL TO PREVENT SERIOUS ELECTRICAL SHOCKS.

TO SERVICE MOTOR, DISCONNECT POWER SOURCE FROM MOTOR AND ANY ACCESSORY DEVICES AND ALLOW MOTOR TO COME TO A COMPLETE STAND STILL.

#### LOW VOLTAGE 60Hz. 208-230V



#### HIGH VOLTAGE 60Hz: 460V 50Hz: 400V



96553852

INTERCHANGE ANY TWO LINE WIRES TO REVERSE ROTATION  
THERMOSTAT LEADS  
(WHEN PROVIDED)

