
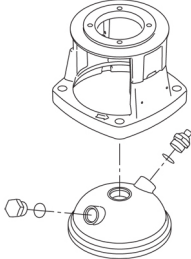
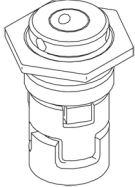
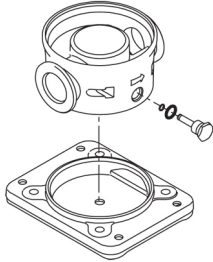


Count	Description
1	<p data-bbox="225 338 544 367">CRI 1S-10 A-CA-A-V-HQQV</p> <div data-bbox="233 376 596 786">  </div> <p data-bbox="616 770 1072 795">Product photo could vary from the actual product</p> <p data-bbox="225 801 489 831">Product No.: 96081321</p> <p data-bbox="225 862 1430 938">Vertical, multistage centrifugal pump with inlet and outlet ports on same the level (inline). Pump materials in contact with the liquid are in stainless steel. Power transmission is via a rigid split coupling. Pipe connection is via FlexiClamps.</p> <p data-bbox="225 976 959 1034">The pump is fitted with a 1-phase, fan-cooled asynchronous motor. The pump is fitted with a 1-phase, fan-cooled asynchronous motor.</p> <p data-bbox="225 1068 544 1097">Further product details</p> <p data-bbox="225 1104 1453 1202">Steel, cast iron and aluminium components have an epoxy-based coating made in a cathodic electro-deposition (CED) process. CED is a high-quality dip-painting process where an electrical field around the products ensures deposition of paint particles as a thin, well-controlled layer on the surface. An integral part of the process is a pretreatment. The entire process consists of these elements:</p> <ol data-bbox="225 1216 719 1332" style="list-style-type: none"> 1) Alkaline-based cleaning. 2) Zinc phosphating. 3) Cathodic electro-deposition. 4) Curing to a dry film thickness 18-22 my m. <p data-bbox="225 1335 932 1359">The colour code for the finished product is NCS 9000/RAL 9005.</p> <p data-bbox="225 1393 309 1422">Pump</p> <p data-bbox="225 1429 1390 1480">The pump head and flange for motor mounting is made in one piece (cast iron). The pump head cover is a separate component (stainless steel). The pump head has a combined 1/2" priming plug and vent screw.</p> <div data-bbox="225 1491 416 1749">  </div> <p data-bbox="225 1780 1430 1879">The pump is fitted with a balanced O-ring seal unit with a rigid torque-transmission system. This seal type is assembled in a cartridge unit which makes replacement safe and easy. Due to the balancing, this seal type is suitable for high-pressure applications. The cartridge construction also protects the pump shaft from possible wear from a dynamic O-ring between pump shaft and shaft seal.</p> <p data-bbox="225 1892 373 1917">Primary seal:</p> <ul data-bbox="264 1921 826 1980" style="list-style-type: none"> • Rotating seal ring material: silicon carbide (SiC) • Stationary seat material: silicon carbide (SiC) <p data-bbox="225 1982 1430 2033">This material pairing is used where higher corrosion resistance is required. The high hardness of this material pairing offers good resistance against abrasive particles.</p> <p data-bbox="225 2038 799 2067">Secondary seal material: FKM (fluorocarbon rubber)</p>

Count	Description
	<p data-bbox="225 338 1422 392">FKM has excellent resistance to oils and chemicals. Above 90 °C, FKM should only be used in media without water.</p>  <p data-bbox="225 647 730 674">The shaft seal is screwed into the pump head.</p> <p data-bbox="225 705 1460 781">The pump has a special air-cooled shaft-seal chamber generating the same insulation effect as that of a vacuum flask. No external cooling is necessary; the ambient temperature is sufficient. An automatic vent vents the pump seal chamber.</p> <p data-bbox="225 851 1422 952">The pump has a stainless-steel base mounted on a separate base plate. The base and base plate are kept in position by the tension of the staybolts which hold the pump together. The outlet side of the base has a combined drain plug and bypass valve. The pump is secured to the foundation by four bolts through the base plate. The base is prepared for connection by means of FlexiClamp couplings.</p>  <p data-bbox="225 1288 308 1314">Motor</p> <p data-bbox="225 1323 1390 1375">The motor is a totally enclosed, fan-cooled motor with principal dimensions to IEC and DIN standards. The motor is flange-mounted with tapped-hole flange (FT).</p> <p data-bbox="225 1382 1307 1408">Motor-mounting designation in accordance with IEC 60034-7: IM B 14 (Code I) / IM 3601 (Code II).</p> <p data-bbox="225 1415 715 1442">Electrical tolerances comply with IEC 60034.</p> <p data-bbox="225 1449 1437 1518">The motor does not incorporate motor protection and must be connected to a motor-protective circuit breaker which can be manually reset. The motor-protective circuit breaker must be set according to the rated current of the motor (I1/1).</p> <p data-bbox="225 1525 1374 1601">The motor has built-in thermal protection (PTO current and temperature sensors) in accordance with IEC 60034-11 and requires no further motor protection. The protection reacts to both slow- and quick-rising temperatures, e.g. constant overload and stalled conditions.</p> <p data-bbox="225 1608 1422 1659">As the thermal protection incorporates automatic reset, the motor must be connected in a way which ensures that the automatic reset cannot cause accidents.</p> <p data-bbox="225 1666 427 1693">Technical data</p> <p data-bbox="225 1731 336 1758">Controls:</p> <p data-bbox="225 1765 660 1792">Frequency converter: NONE</p> <p data-bbox="225 1821 308 1848">Liquid:</p> <p data-bbox="225 1854 660 1881">Pumped liquid: Water</p> <p data-bbox="225 1888 715 1915">Liquid temperature range: -4 .. 194 °F</p> <p data-bbox="225 1921 651 1948">Selected liquid temperature: 68 °F</p> <p data-bbox="225 1955 708 1982">Density: 62.29 lb/ft³</p> <p data-bbox="225 2011 347 2038">Technical:</p> <p data-bbox="225 2045 695 2072">Rated pump speed: 3464 rpm</p> <p data-bbox="225 2078 735 2105">Rated flow: 4.84 US gpm</p>



Company name:

Created by:

Phone:

Date:

9/26/2019

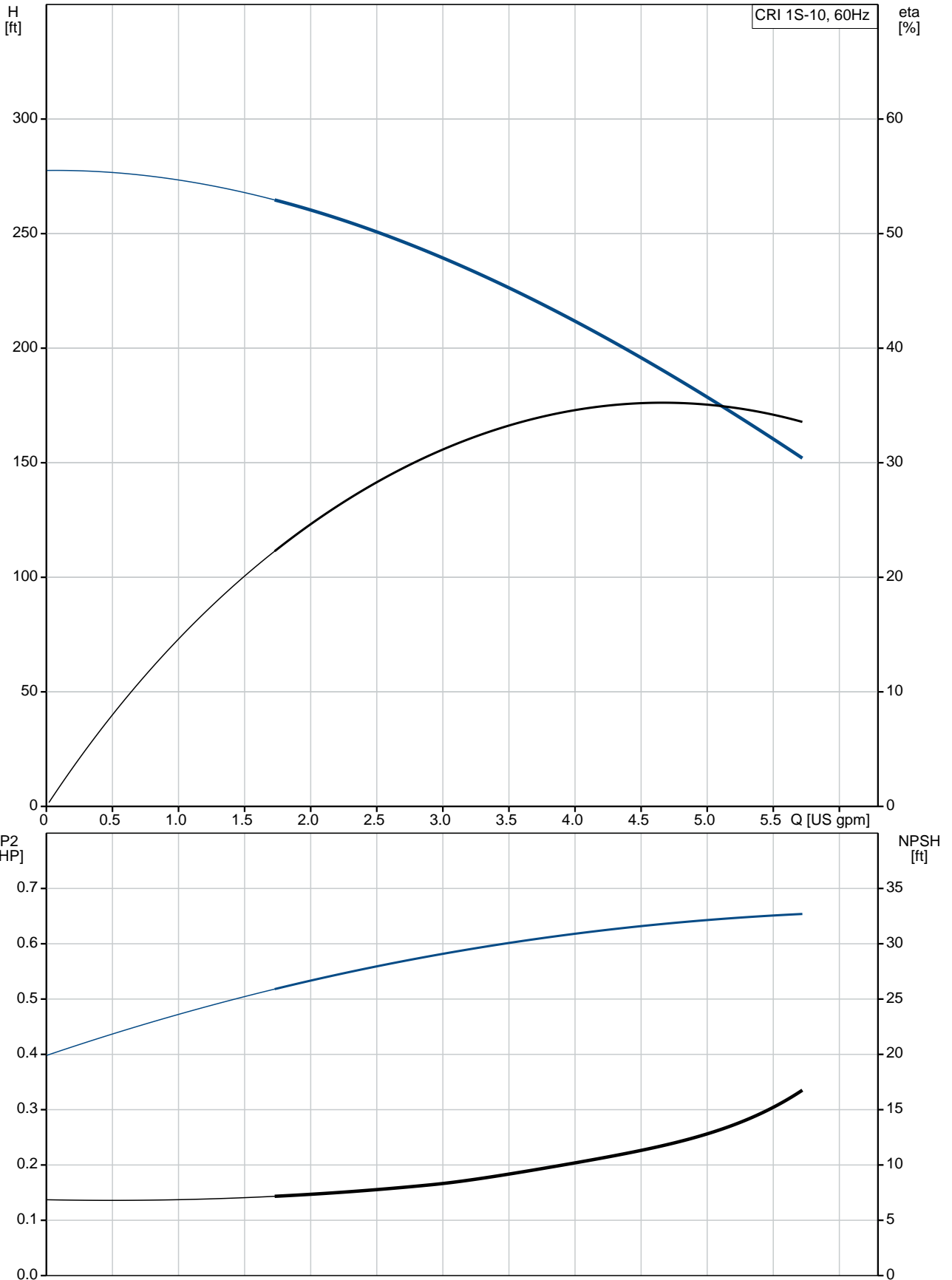
Count	Description
	Rated head: 184.7 ft
	Pump orientation: Vertical
	Shaft seal arrangement: Single
	Code for shaft seal: HQQV
	Approvals on nameplate: CURUS
	Curve tolerance: ISO9906:2012 3B
	Materials:
	Base: Stainless steel EN 1.4408 AISI 316
	Impeller: Stainless steel EN 1.4301 AISI 304
	Bearing: SIC
	Installation:
	Maximum ambient temperature: 104 °F
	Maximum operating pressure: 362.59 psi
	Max pressure at stated temperature: 363 psi / 194 °F 363 psi / -4 °F
	Type of connection: FlexiClamp
	Size of inlet connection: DN 32
	Size of outlet connection: DN 32
	Pressure rating for pipe connection: PN 25
	Flange size for motor: 56C
	Electrical data:
	Motor standard: NEMA
	Motor type: BALDOR
	Rated power - P2: 0.75 HP
	Power (P2) required by pump: 0.75 HP
	Main frequency: 60 Hz
	Rated voltage: 1 x 115/208-230 V
	Service factor: 1.25
	Rated current: 9,60/5,00-4,80 A
	Rated speed: 3450 rpm
	Number of poles: 2
	Enclosure class (IEC 34-5): 54 Dust/Splashing
	Insulation class (IEC 85): B
	Motor Number: 84Z04001
	Others:
	Net weight: 57.5 lb
	Gross weight: 68.5 lb
	Shipping volume: 6.11 ft ³
	Country of origin: US
	Custom tariff no.: 8413.70.2040



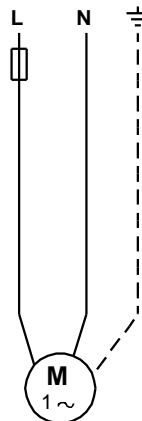
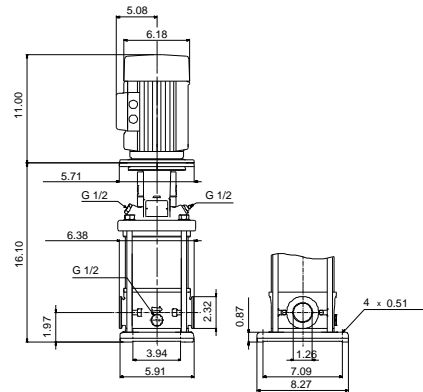
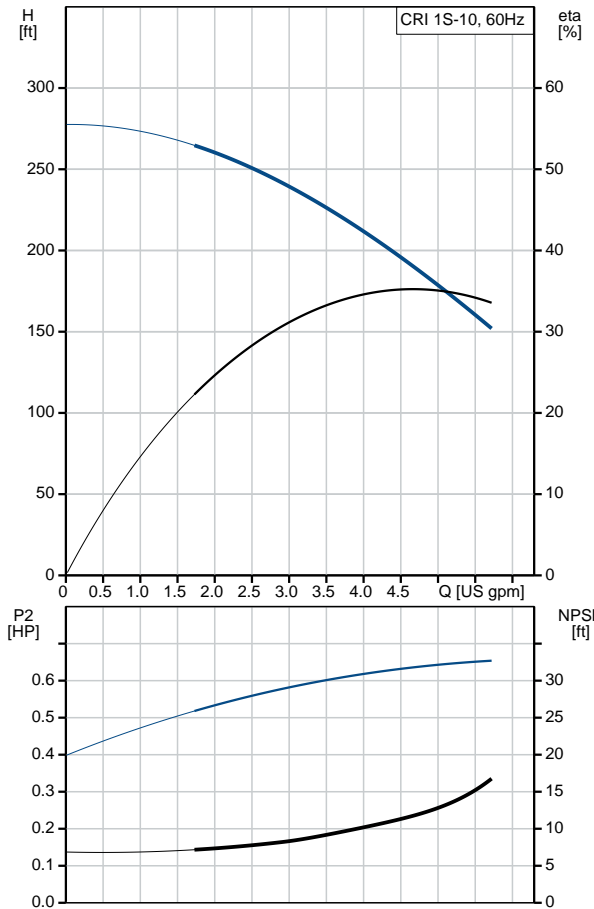
Company name:
Created by:
Phone:

Date: 9/26/2019

96081321 CRI 1S-10 A-CA-A-V-HQQV 60 Hz



Description	Value
General information:	
Product name:	CRI 1S-10 A-CA-A-V-HQQV
Product No.:	96081321
EAN:	5700395157352 5700395157352
Technical:	
Rated pump speed:	3464 rpm
Rated flow:	4.84 US gpm
Rated head:	184.7 ft
Head max:	277.6 ft
Stages:	10
Impellers:	10
Number of reduced-diameter impellers:	0
Low NPSH:	N
Pump orientation:	Vertical
Shaft seal arrangement:	Single
Code for shaft seal:	HQQV
Approvals on nameplate:	CURUS
Curve tolerance:	ISO9906:2012 3B
Pump version:	A
Model:	A
Cooling:	TEFC
Materials:	
Base:	Stainless steel EN 1.4408 AISI 316
Impeller:	Stainless steel EN 1.4301 AISI 304
Material code:	A
Code for rubber:	V
Bearing:	SIC
Installation:	
Maximum ambient temperature:	104 °F
Maximum operating pressure:	362.59 psi
Max pressure at stated temperature:	363 psi / 194 °F 363 psi / -4 °F
Type of connection:	FlexiClamp
Size of inlet connection:	DN 32
Size of outlet connection:	DN 32
Pressure rating for pipe connection:	PN 25
Flange size for motor:	56C
Connect code:	CA
Liquid:	
Pumped liquid:	Water
Liquid temperature range:	-4 .. 194 °F
Selected liquid temperature:	68 °F
Density:	62.29 lb/ft³
Electrical data:	
Motor standard:	NEMA
Motor type:	BALDOR
Rated power - P2:	0.75 HP
Power (P2) required by pump:	0.75 HP
Main frequency:	60 Hz
Rated voltage:	1 x 115/208-230 V
Service factor:	1.25
Rated current:	9,60/5,00-4,80 A





Company name:

Created by:

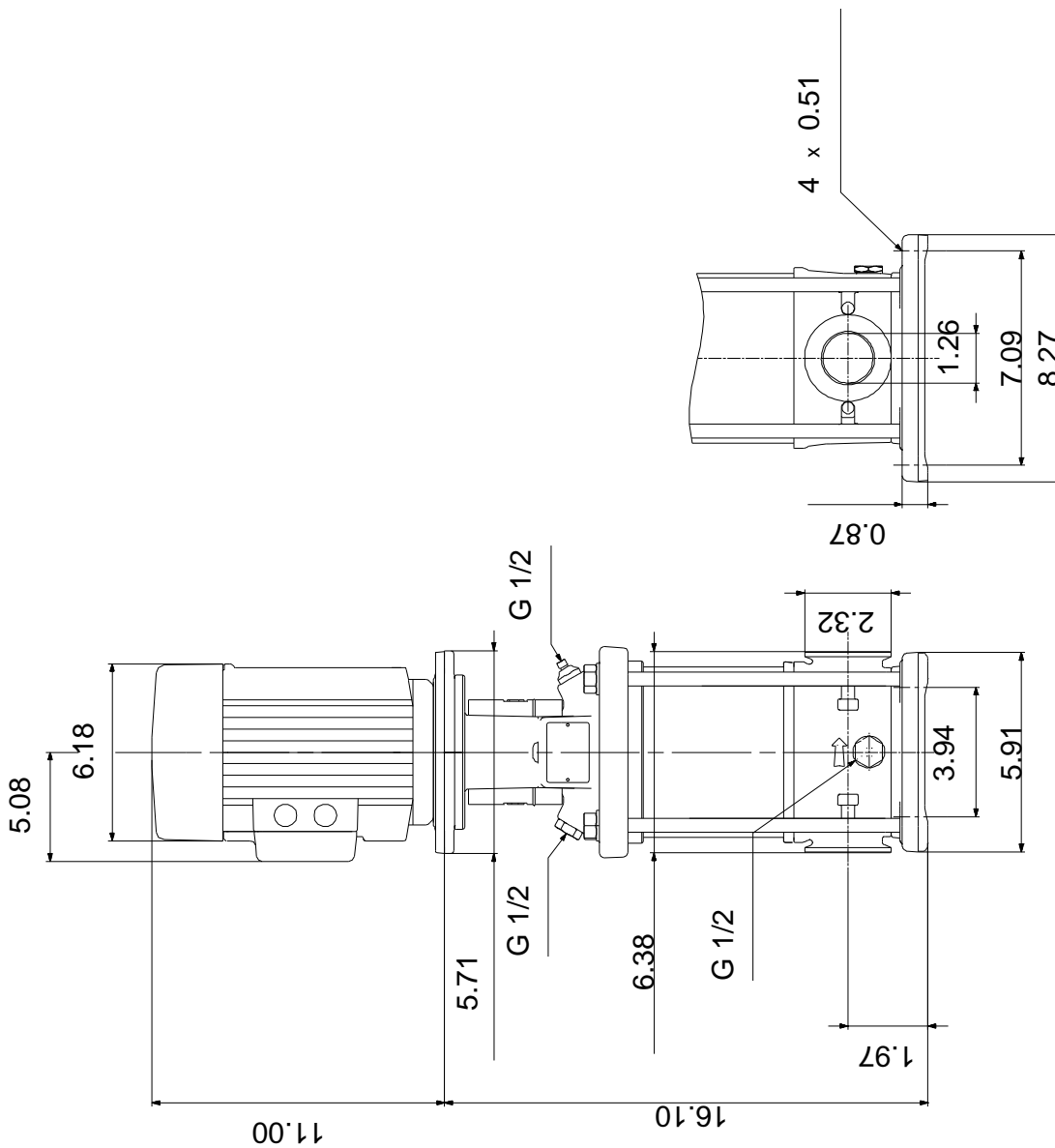
Phone:

Date:

9/26/2019

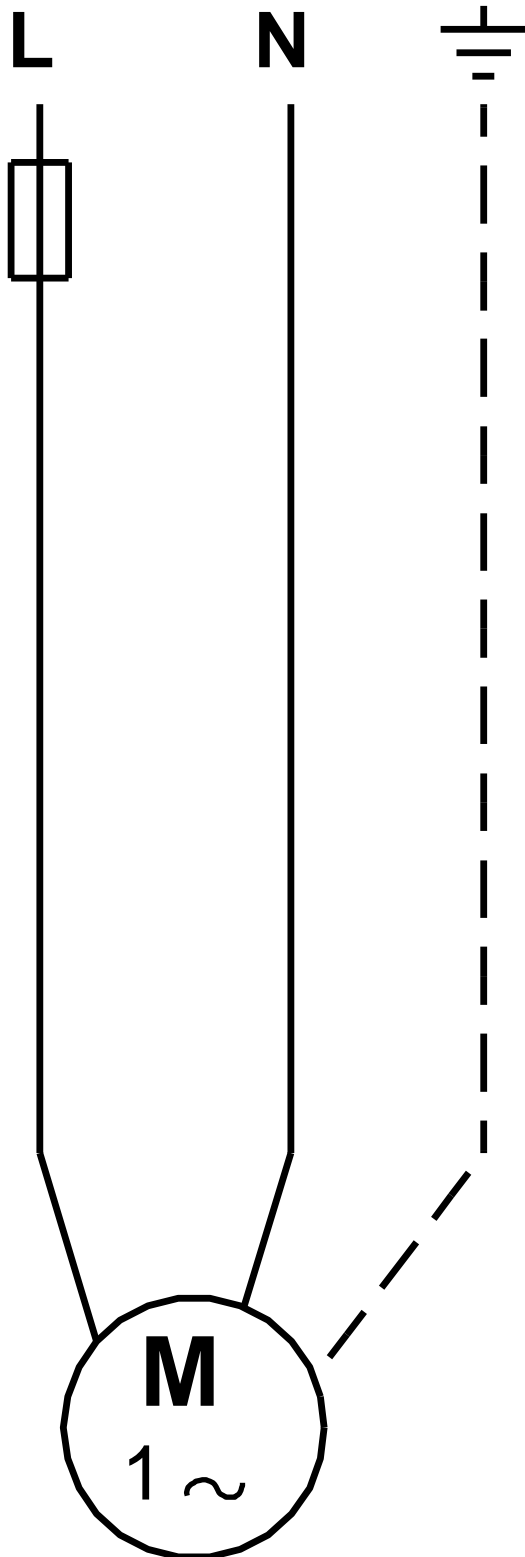
Description	Value
Load current:	11.4/6.0-5.7 A
Rated speed:	3450 rpm
Number of poles:	2
Enclosure class (IEC 34-5):	54 Dust/Splashing
Insulation class (IEC 85):	B
Motor protection:	NONE
Motor Number:	84Z04001
Controls:	
Frequency converter:	NONE
Others:	
Net weight:	57.5 lb
Gross weight:	68.5 lb
Shipping volume:	6.11 ft ³
Country of origin:	US
Custom tariff no.:	8413.70.2040

96081321 CRI 1S-10 A-CA-A-V-HQQV 60 Hz



Note! All units are in [in] unless otherwise stated.
 Disclaimer: This simplified dimensional drawing does not show all details.

96081321 CRI 1S-10 A-CA-A-V-HQQV 60 Hz



All units are [in] unless otherwise presented.