

**BALDOR® • RELIANCE** 

**Product Information Packet**

**PFC EQUIPMENT**

**CEM3709T**

**7.5HP,3520RPM,3PH,60HZ,213TC,3728M,TEFC**

Part Detail							
Revision:	J	Status:	PRD/A	Change #:		Proprietary:	No
Type:	AC	Elec. Spec:	37WGR224	CD Diagram:	CD0005	Mfg Plant:	
Mech. Spec:	37G814	Layout:	37LYG814	Poles:	02	Created Date:	05-10-2012
Base:	RG	Eff. Date:	07-03-2019	Leads:	9#14		

Specs			
Catalog Number:	CEM3709T	Heater Indicator:	No Heater
Enclosure:	TEFC	Insulation Class:	F
Frame:	213TC	Inverter Code:	Inverter Ready
Frame Material:	Steel	KVA Code:	J
Output @ Frequency:	7.500 HP @ 60 HZ	Lifting Lugs:	Standard Lifting Lugs
Synchronous Speed @ Frequency:	3600 RPM @ 60 HZ	Locked Bearing Indicator:	Locked Bearing
Voltage @ Frequency:	460.0 V @ 60 HZ	Motor Lead Quantity/Wire Size:	9 @ 14 AWG
	230.0 V @ 60 HZ	Motor Lead Exit:	Ko Box
XP Class and Group:	None	Motor Lead Termination:	Flying Leads
XP Division:	Not Applicable	Motor Type:	3728M
Agency Approvals:	UR	Mounting Arrangement:	F1
	CSA EEV	Power Factor:	84
	CSA	Product Family:	General Purpose
Auxillary Box:	No Auxillary Box	Pulley End Bearing Type:	Ball
Auxillary Box Lead Termination:	None	Pulley Face Code:	C-Face
Base Indicator:	Rigid	Pulley Shaft Indicator:	Standard
Bearing Grease Type:	Polyrex EM (-20F +300F)	Rodent Screen:	None
Blower:	None	Shaft Extension Location:	Pulley End

<b>Current @ Voltage:</b>	18.000 A @ 230.0 V	<b>Shaft Ground Indicator:</b>	No Shaft Grounding
	19.400 A @ 208.0 V	<b>Shaft Rotation:</b>	Reversible
	9.000 A @ 460.0 V	<b>Shaft Slinger Indicator:</b>	No Slinger
<b>Design Code:</b>	A	<b>Speed Code:</b>	Single Speed
<b>Drip Cover:</b>	No Drip Cover	<b>Motor Standards:</b>	NEMA
<b>Duty Rating:</b>	CONT	<b>Starting Method:</b>	Direct on line
<b>Electrically Isolated Bearing:</b>	Not Electrically Isolated	<b>Thermal Device - Bearing:</b>	None
<b>Feedback Device:</b>	NO FEEDBACK	<b>Thermal Device - Winding:</b>	None
<b>Front Face Code:</b>	Standard	<b>Vibration Sensor Indicator:</b>	No Vibration Sensor
<b>Front Shaft Indicator:</b>	None	<b>Winding Thermal 1:</b>	None
		<b>Winding Thermal 2:</b>	None

Nameplate NP3441LUA

CAT.NO.	CEM3709T							
SPEC	37G814R224G1							
HP	7.5							
VOLTS	230/460							
AMPS	18/9							
RPM	3520							
FRAME	213TC		HZ	60		PH	3	
SF	1.15		CODE	J	DES	A	CLASS	F
NEMA NOM. EFF	89.5		PF	84				
RATING	40C AMB-CONT							
CC	010A		USABLE AT 208V			19.4		
ENCL	TEFC		SER					
DE	6307		ODE	6206				
VPWM INVERTER READY								
CT6-60H(10:1)VT3-60H(20:1)								
	50Hz 7.5HP 190/380V 21/10.5A							
	SF1.0							

Parts List		
Part Number	Description	Quantity
SA244912	SA 37G814R224G1	1.000 EA
RA231799	RA 37G814R224G1	1.000 EA
36FN3000B02	EXFN, PLASTIC, 6.00 OD, 1.175 ID	1.000 EA
HW3200A01	3/8-16X3/4 I-BLT WELDED F/S	1.000 EA
37CB3006	37 CB CASTING W/1.38 LEAD HOLE @ 6:00	1.000 EA
37GS1000SP	GASKET, CONDUIT BOX STD., .06 THICK LEXI	1.000 EA
51XW2520A12	.25-20 X .75, TAPTITE II, HEX WSHR SLTD	2.000 EA
11XW1032G06	10-32 X .38, TAPTITE II, HEX WSHR SLTD U	1.000 EA
37EP3101A01	FR ENDPLATE, FOR ROUTING PURPOSES	1.000 EA
HW4500A01	1641B(ALEMITE)400 UNIV, GREASE FITT	1.000 EA
HW5100A06	W2420-025 WVY WSHR (WB)	1.000 EA
37PE3300A01	PUEP ASSEMBLY FOR ROUTING	1.000 EA
HW4500A01	1641B(ALEMITE)400 UNIV, GREASE FITT	1.000 EA
10XN2520A30	HEX HD CAP SCREW-STD THD-.25 X 20 THD PE	4.000 EA
HW1001A25	LOCKWASHER 1/4, ZINC PLT .493 OD, .255 I	4.000 EA
XY3118A12	5/16-18 HEX NUT DIRECTIONAL SERRATION	4.000 EA
51XB1214A20	12-14X1.25 HXWSSLD SERTYB	1.000 EA
07FH4007SP	PRIMED	1.000 EA
51XW1032A06	10-32 X .38, TAPTITE II, HEX WSHR SLTD S	3.000 EA
37CB4516	LIPPED LID FOR 37 FRAME NEC KOBX	1.000 EA
37GS1008	37 GS FOR CB LID - LEXIDE	1.000 EA
51XW0832A07	8-32 X .44, TAPTITE II, HEX WSHR SLTD SE	4.000 EA
HW2501F21	KEY, 5/16 SQ X 2.375	1.000 EA
HA7000A02	KEY RETAINER RING, 1 1/8 DIA, 1 3/8 DIA	1.000 EA

<b>Parts List (continued)</b>		
<b>Part Number</b>	<b>Description</b>	<b>Quantity</b>
85XU0407S04	4X1/4 U DRIVE PIN STAINLESS	2.000 EA
LB1115N	LABEL,LIFTING DEVICE (ON ROLLS)	1.000 EA
MJ1000A02	GREASE, MOBIL POLYREX EM - 124047	0.050 LB
MG1000Y03	MUNSELL 2.53Y 6.70/ 4.60, GLOSS 20,	0.028 GA
HA3104A14	THRUBOLT- 5/16-18 X12.125(OHIO)	4.000 EA
LC0005E01	CONN.DIA./WARNING LABEL (LC0005/LB1119N)	1.000 EA
NP3441LUA	ALUM SUPER-E VPWM INV READY UL CSA-EEV C	1.000 EA
G0PA1000	PKG GRP, PRINT PK1026A06	1.000 EA
MN416A01	TAG-INSTAL-MAINT no wire (1200/bx) 3/19	1.000 EA

**AC Induction Motor Performance Data**

Record # 53378 - Typical performance - not guaranteed values

<b>Winding:</b> 37WGR224-R033	<b>Type:</b> 3728M	<b>Enclosure:</b> TEFC
-------------------------------	--------------------	------------------------

Nameplate Data				460 V, 60 Hz: High Voltage Connection	
Rated Output (HP)	7.5			Full Load Torque	10.9 LB-FT
Volts	230/460			Start Configuration	direct on line
Full Load Amps	18/9			Breakdown Torque	40.4 LB-FT
R.P.M.	3520			Pull-up Torque	20.6 LB-FT
Hz	60	Phase	3	Locked-rotor Torque	21.8 LB-FT
NEMA Design Code	A	KVA Code	J	Starting Current	68.4 A
Service Factor (S.F.)	1.15			No-load Current	3.73 A
NEMA Nom. Eff.	89.5	Power Factor	84	Line-line Res. @ 25°C	1.1531 Ω
Rating - Duty	40C AMB-CONT			Temp. Rise @ Rated Load	45°C
S.F. Amps				Temp. Rise @ S.F. Load	54°C
				Locked-rotor Power Factor	33
				Rotor inertia	0.255 LB-FT <sup>2</sup>

Load Characteristics 460 V, 60 Hz, 7.5 HP

% of Rated Load	25	50	75	100	125	150	S.F.
Power Factor	45	69	79	84	87	89	86
Efficiency	81.5	88.8	90.5	90.6	90.1	89.2	90.3
Speed	3580.5	3562.7	3541.6	3520.3	3496.3	3470.9	3506
Line amperes	4.22	5.36	7.03	8.94	11	13.1	10.2

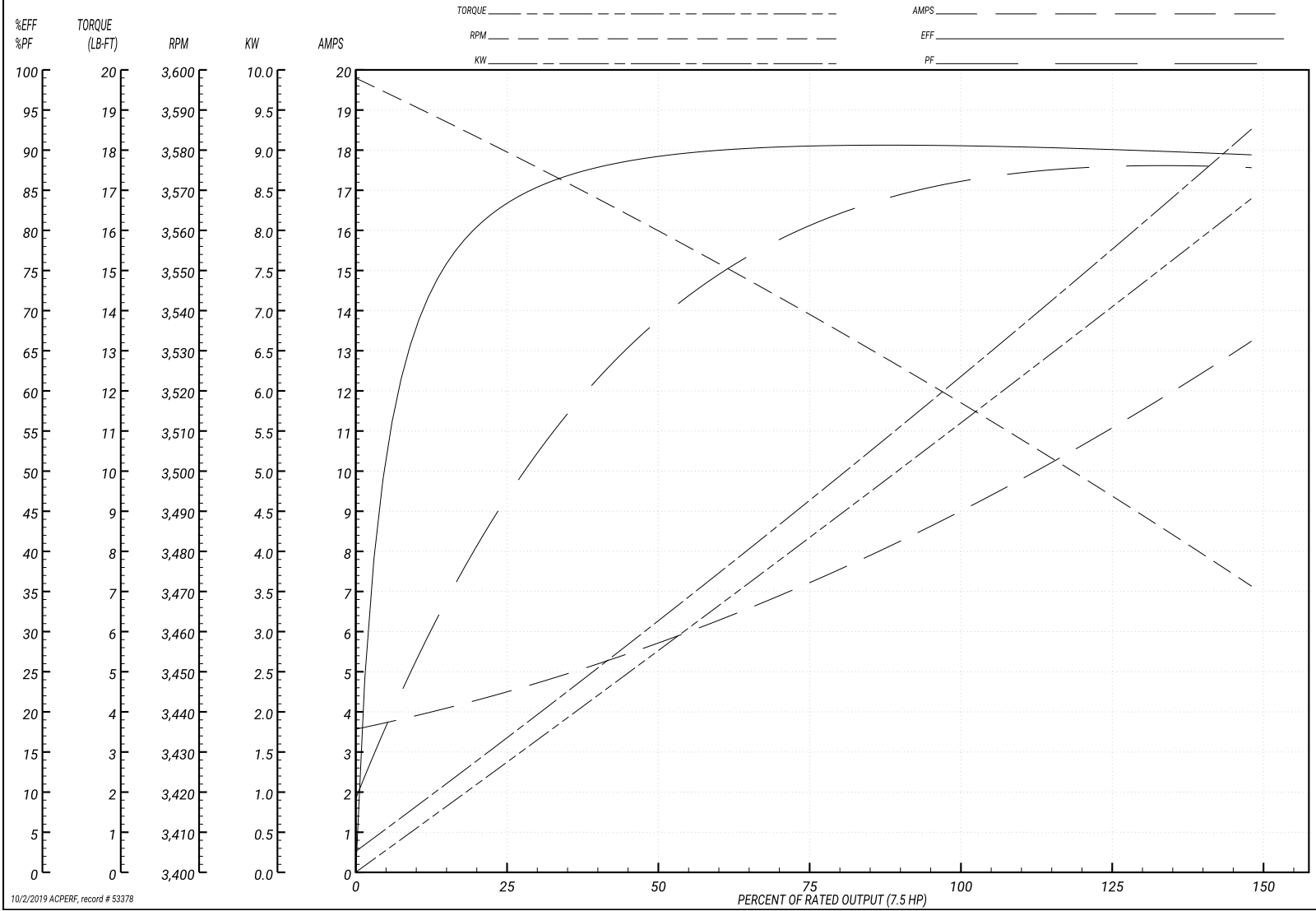
Performance Graph at 460V, 60Hz, 7.5HP Typical performance - Not guaranteed values

**BALDOR ELECTRIC COMPANY**

WINDING # 37WGR224

Typical performance - not guaranteed values.

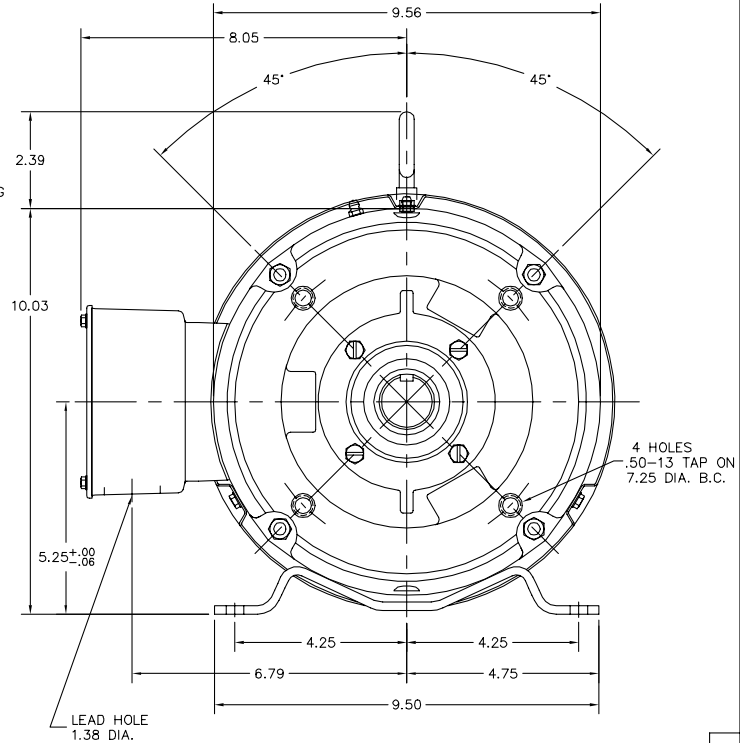
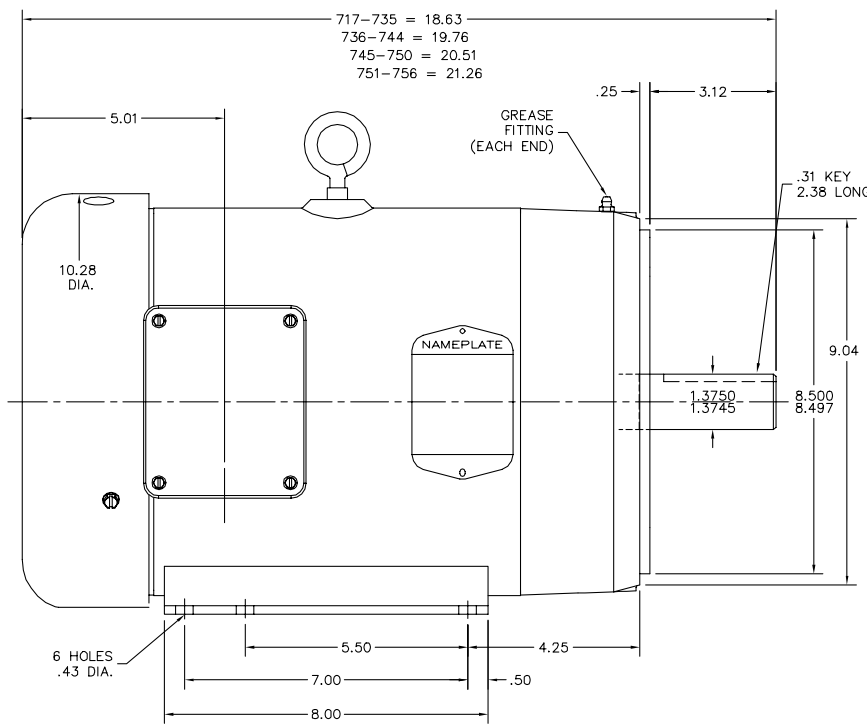
7.5 HP 3 PH 60 HZ 3520 RPM 460 V 3728M  
 TORQUES(LB-FT): PO=40.4 PU=20.6 LR=21.8 LRA=68.4



10/2/2019 ACPERF, record # 53378



37LYG814



37LYG814

CUSTOMER IS RESPONSIBLE FOR DETERMINING THAT BALDOR'S PRODUCT WILL PERFORM SUITABLY IN THE INTENDED APPLICATION.

REV. DESC: UPDATE LAYOUT GRAPHICS - NO DIM CHANGES		
REV. LTR: D	VERSION: 01	TDR: 000000859468
FILE: \AAA\00051\948	REVISED: 11:08:35 06/24/2014	BY: ENBRAMO
MTL: -		

**BALDOR**

STD HORZ 213-5TC TEFC 37M W/EPACT SHOVE

SH 1 of 1

CD0005



LOW VOLTAGE  
(2Y)



LINE

HIGH VOLTAGE  
(1Y)



LINE

NOTES:

1. INTERCHANGE ANY TWO LINE LEADS TO REVERSE ROTATION.
2. OPTIONAL THERMOSTATS ARE PROVIDED WHEN SPECIFIED.
3. ACTUAL NUMBER OF INTERNAL PARALLEL CIRCUITS MAY BE A MULTIPLE OF THOSE SHOWN ABOVE.
4. LEAD COLORS ARE OPTIONAL. LEADS MUST ALWAYS BE NUMBERED AS SHOWN.

REV. DESC: REVISE TO SHOW OPTIONAL COLORS			
REV. LTR: E	BY: JLP	REVISED: 01/19/99 10:15	TDR: 0171435
900000		FILE: AAA00005140	MDL: -
		MTL: -	

**BALDOR ELECTRIC Co.**

3PH, DV, 9 LEADS

CD0005