

**BALDOR® • RELIANCE** 

**Product Information Packet**

**PFC EQUIPMENT**

**VM3543**

**.75HP,1140RPM,3PH,60HZ,56C,3428M,TEFC,F1**

Part Detail							
Revision:	AE	Status:	PRD/A	Change #:		Proprietary:	No
Type:	AC	Elec. Spec:	34WGW012	CD Diagram:	CD0005	Mfg Plant:	
Mech. Spec:	34A063	Layout:	34LYA063	Poles:	06	Created Date:	
Base:	N	Eff. Date:	02-15-2018	Leads:	9#18		

Specs			
Catalog Number:	VM3543	Insulation Class:	B
Enclosure:	TEFC	Inverter Code:	Not Inverter
Frame:	56C	KVA Code:	K
Frame Material:	Steel	Lifting Lugs:	No Lifting Lugs
Output @ Frequency:	.750 HP @ 60 HZ	Locked Bearing Indicator:	Locked Bearing
Synchronous Speed @ Frequency:	1200 RPM @ 60 HZ	Motor Lead Quantity/Wire Size:	9 @ 18 AWG
Voltage @ Frequency:	208.0 V @ 60 HZ	Motor Lead Exit:	Ko Box
	230.0 V @ 60 HZ	Motor Lead Termination:	Flying Leads
	460.0 V @ 60 HZ	Motor Type:	3428M
XP Class and Group:	None	Mounting Arrangement:	F1
XP Division:	Not Applicable	Power Factor:	59
Agency Approvals:	UR	Product Family:	General Purpose
	CSA	Pulley End Bearing Type:	Ball
Auxillary Box:	No Auxillary Box	Pulley Face Code:	C-Face
Auxillary Box Lead Termination:	None	Pulley Shaft Indicator:	Standard
Base Indicator:	No Mounting	Rodent Screen:	None
Bearing Grease Type:	Polyrex EM (-20F +300F)	RoHS Status:	ROHS COMPLIANT
Blower:	None	Shaft Extension Location:	Pulley End

<b>Current @ Voltage:</b>	1.500 A @ 460.0 V	<b>Shaft Ground Indicator:</b>	No Shaft Grounding
	3.000 A @ 230.0 V	<b>Shaft Rotation:</b>	Reversible
	3.300 A @ 208.0 V	<b>Shaft Slinger Indicator:</b>	No Slinger
<b>Design Code:</b>	B	<b>Speed Code:</b>	Single Speed
<b>Drip Cover:</b>	No Drip Cover	<b>Motor Standards:</b>	NEMA
<b>Duty Rating:</b>	CONT	<b>Starting Method:</b>	Direct on line
<b>Electrically Isolated Bearing:</b>	Not Electrically Isolated	<b>Thermal Device - Bearing:</b>	None
<b>Feedback Device:</b>	NO FEEDBACK	<b>Thermal Device - Winding:</b>	None
<b>Front Face Code:</b>	Standard	<b>Vibration Sensor Indicator:</b>	No Vibration Sensor
<b>Front Shaft Indicator:</b>	None	<b>Winding Thermal 1:</b>	None
<b>Heater Indicator:</b>	No Heater	<b>Winding Thermal 2:</b>	None

Nameplate NP1256L										
CAT.NO.	VM3543									
SPEC.	34A63W12									
HP	.75									
VOLTS	208-230/460									
AMP	3.3-3/1.5									
RPM	1140									
FRAME	56C				HZ	60			PH	3
SER.F.	1.15			CODE	K	DES	B		CLASS	B
NEMA-NOM-EFF	77			PF	59					
RATING	40C AMB-CONT									
CC									USABLE AT 208V	3.3
DE	6203				ODE	6203				
ENCL	TEFC			SN						
	SFA 3.5-3.2/1.6									

Parts List		
Part Number	Description	Quantity
SA009901	SA 34A63W12	1.000 EA
RA006346	RA 34A63W12	1.000 EA
NS2512A01	INSULATOR, CONDUIT BOX X	1.000 EA
34CB3002A	CB CAST W/.88 DIA HOLE	1.000 EA
34GS1029A01	GASKET, CONDUIT BOX	1.000 EA
51XB1016A07	10-16 X 7/16 HXWSSLD SERTYB	2.000 EA
11XW1032G06	10-32 X .38, TAPTITE II, HEX WSHR SLTD U	1.000 EA
34EP3102A01SP	FR ENDPLATE, MACH	1.000 EA
HW5100A03	WAVY WASHER (W1543-017)	1.000 EA
34EP3300A24SP	PU ENDPLATE, MACH	1.000 EA
51XN1032A20	10-32 X 1 1/4 HX WS SL SR	2.000 EA
34FN3002A01SP	EXTERNAL FAN, PLASTIC, .637/.639 HUB W/	1.000 EA
51XW1032A06	10-32 X .38, TAPTITE II, HEX WSHR SLTD S	3.000 EA
34CB4517	CB LID 4 MTG HOLES .22 DIA STAMPED, FOR	1.000 EA
34GS1031A01	GASKET, FLAT CONDUIT BOX LID (LEXIDE)	1.000 EA
51XW0832A07	8-32 X .44, TAPTITE II, HEX WSHR SLTD SE	4.000 EA
HW2501D13	KEY, 3/16 SQ X 1.375	1.000 EA
34FH4002A01SP	IEC FH NO GREASER PRIMED	1.000 EA
HA7000A04	KEY RETAINER 0.625 DIA SHAFTS	1.000 EA
MG1000G27	MED CHARCOAL METALLIC GREY 400-0096	0.014 GA
85XU0407S04	4X1/4 U DRIVE PIN STAINLESS	2.000 EA
HA3100A45	THRUBOLT 10-32 X 8.875	4.000 EA
MN416A01	TAG-INSTAL-MAINT no wire (1200/bx) 3/19	1.000 EA
LC0005E01	CONN.DIA./WARNING LABEL (LC0005/LB1119N)	1.000 EA

<b>Parts List (continued)</b>		
<b>Part Number</b>	<b>Description</b>	<b>Quantity</b>
NP1256L	ALUM UL CSA CC INDUSTRIAL MOTOR A60	1.000 EA
35PA1000	PKG GRP, PRINT PK1008A06	1.000 EA
PK3083T	STYROFOAM PACKING CRADLE	1.000 EA
PK3088	MICROFOAM, 8"X"8 PERF. SHEETS 5,400/RL	1.000 EA

**AC Induction Motor Performance Data**

Record # 6846 - Typical performance - not guaranteed values

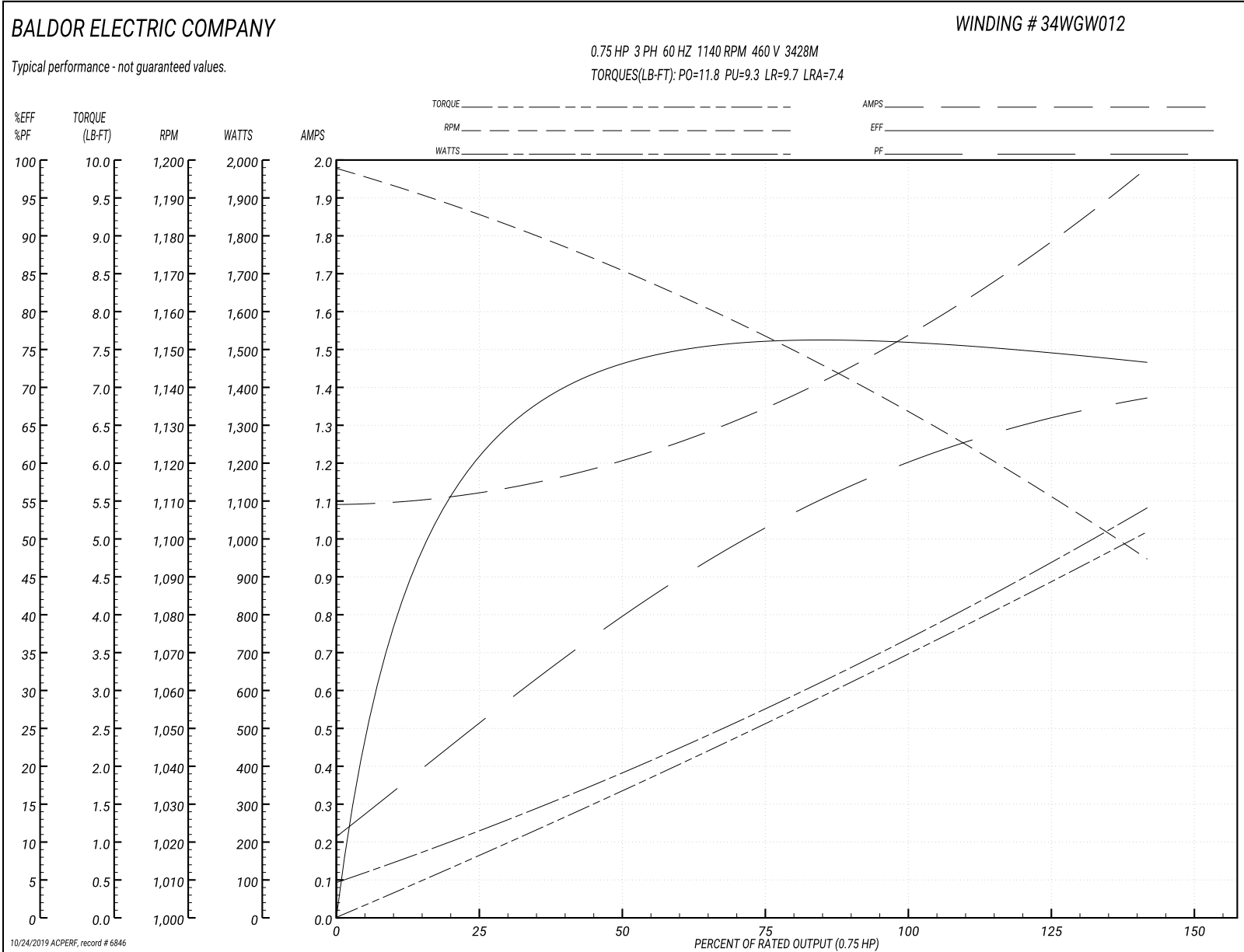
<b>Winding:</b> 34WGW012-R001	<b>Type:</b> 3428M	<b>Enclosure:</b> TEFC
-------------------------------	--------------------	------------------------

Nameplate Data				460 V, 60 Hz: High Voltage Connection	
Rated Output (HP)	.75			Full Load Torque	3.4 LB-FT
Volts	208-230/460			Start Configuration	direct on line
Full Load Amps	3.3-3/1.5			Breakdown Torque	11.8 LB-FT
R.P.M.	1140			Pull-up Torque	9.3 LB-FT
Hz	60	Phase	3	Locked-rotor Torque	9.7 LB-FT
NEMA Design Code	B	KVA Code	K	Starting Current	7.4 A
Service Factor (S.F.)	1.15			No-load Current	1.1 A
NEMA Nom. Eff.	77	Power Factor	59	Line-line Res. @ 25°C	21.9 Ω
Rating - Duty	40C AMB-CONT			Temp. Rise @ Rated Load	62°C
S.F. Amps	3.5-3.2/1.6			Temp. Rise @ S.F. Load	75°C

Load Characteristics 460 V, 60 Hz, 0.75 HP

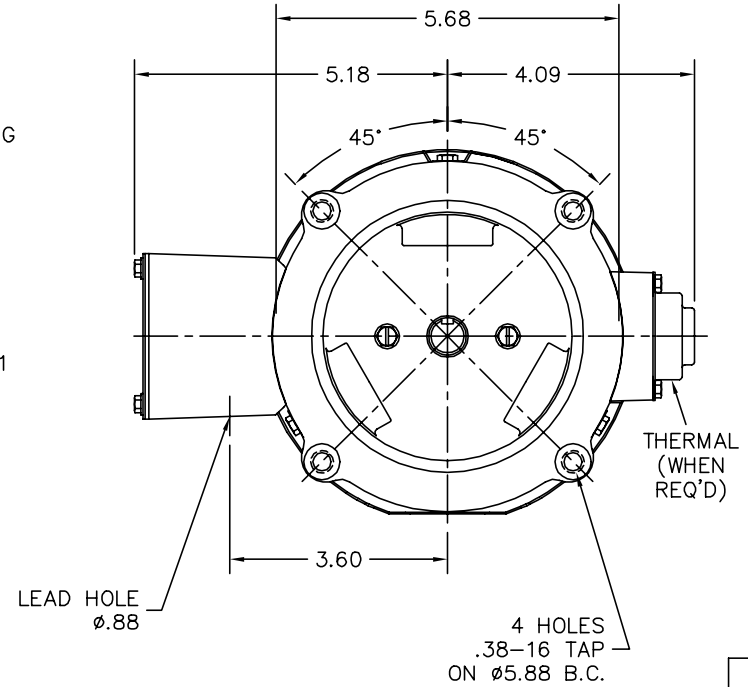
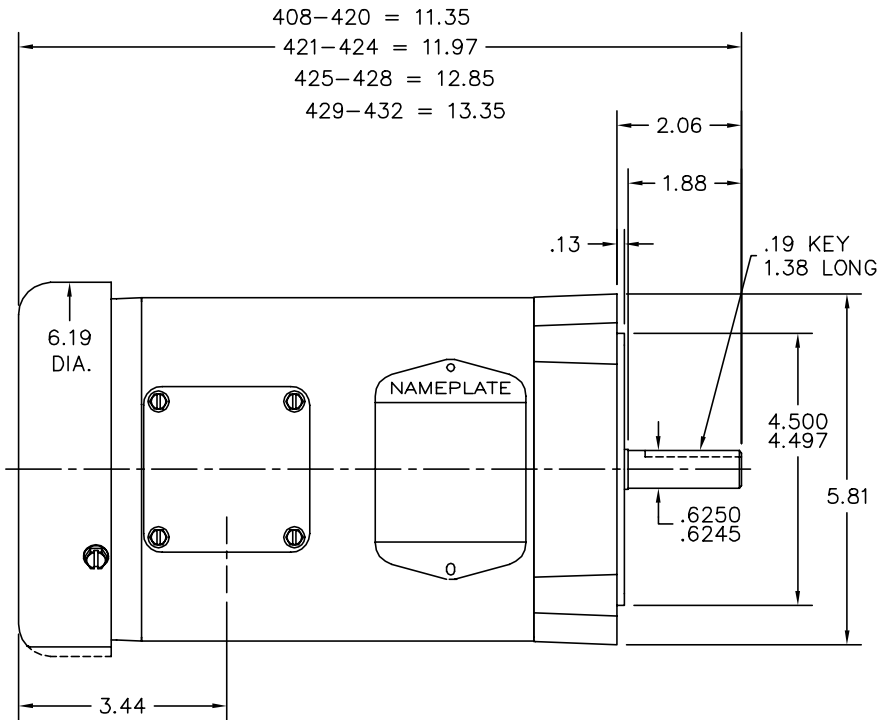
% of Rated Load	25	50	75	100	125	150	S.F.
Power Factor	26	40	51	59	65	68	63
Efficiency	60	72	76	77	75	73	76
Speed	1185	1170	1155	1135	1115	1095	1125
Line amperes	1.1	1.2	1.4	1.5	1.7	2	1.6

Performance Graph at 460V, 60Hz, 0.75HP Typical performance - Not guaranteed values





34LYA063



CUSTOMER IS RESPONSIBLE FOR DETERMINING THAT BALDOR'S PRODUCT WILL PERFORM SUITABLY IN THE INTENDED APPLICATION.

REV. DESC: UPDATE PARTS		
REV. LTR: L	VERSION: 02	TDR: 000000998268
FILE: \AAA\00000\724	REVISED: 02:36:11 09/27/2016	BY: ENBENBO
MTL: -	☉ □	

**BALDOR**

STD VERT 34M NEMA 56C TEFC

SH 1 of 1

34LYA063

CD0005



LOW VOLTAGE  
(2Y)



LINE

HIGH VOLTAGE  
(1Y)



LINE

NOTES:

1. INTERCHANGE ANY TWO LINE LEADS TO REVERSE ROTATION.
2. OPTIONAL THERMOSTATS ARE PROVIDED WHEN SPECIFIED.
3. ACTUAL NUMBER OF INTERNAL PARALLEL CIRCUITS MAY BE A MULTIPLE OF THOSE SHOWN ABOVE.
4. LEAD COLORS ARE OPTIONAL. LEADS MUST ALWAYS BE NUMBERED AS SHOWN.

REV. DESC: REVISE TO SHOW OPTIONAL COLORS

REV. LTR: E BY: JLP

REVISED: 01/19/99 10:15

TDR: 0171435

900000

FILE: AAA00005140

MDL: -

MTL: -

**BALDOR ELECTRIC Co.**

3PH, DV, 9 LEADS

CD0005