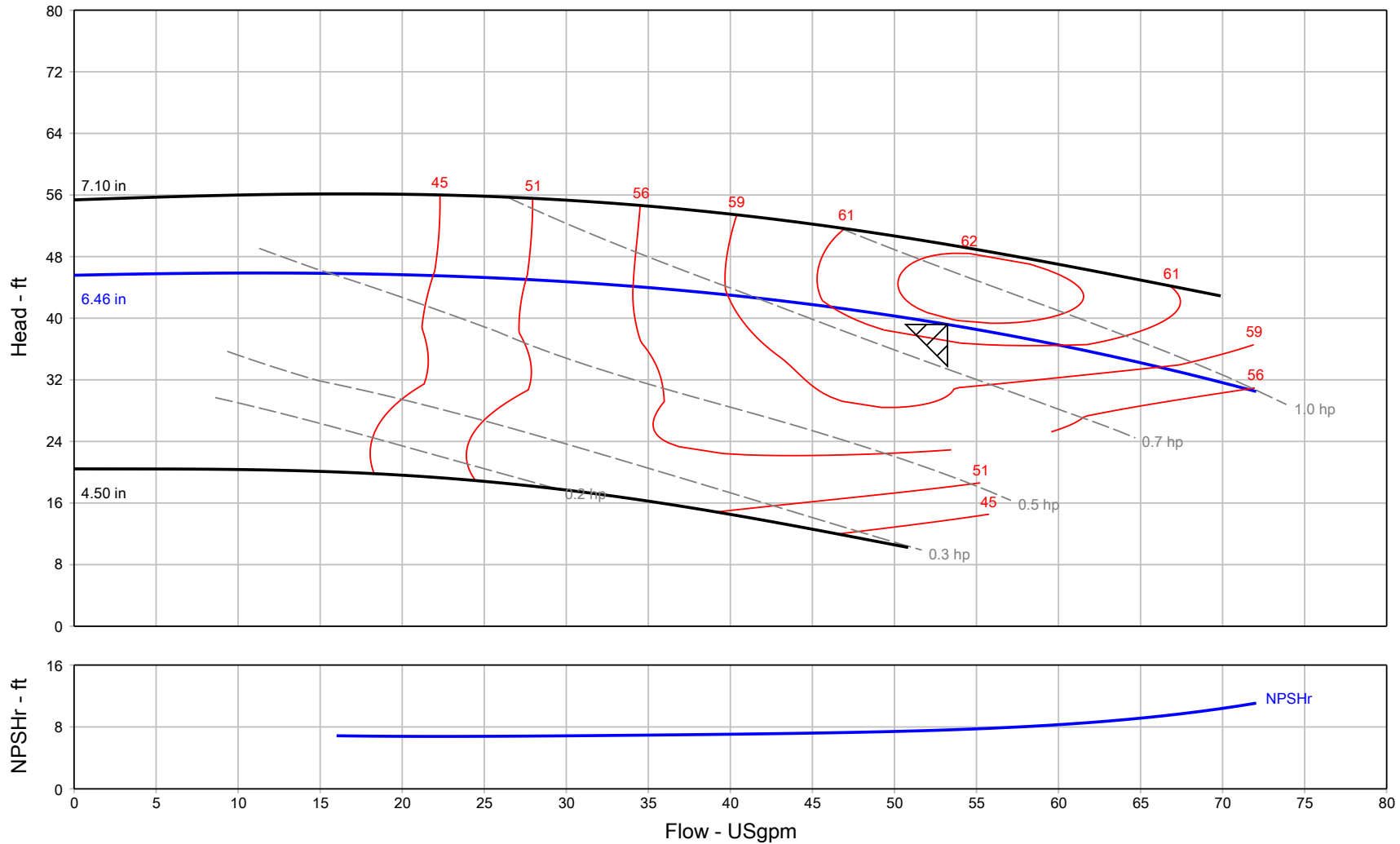
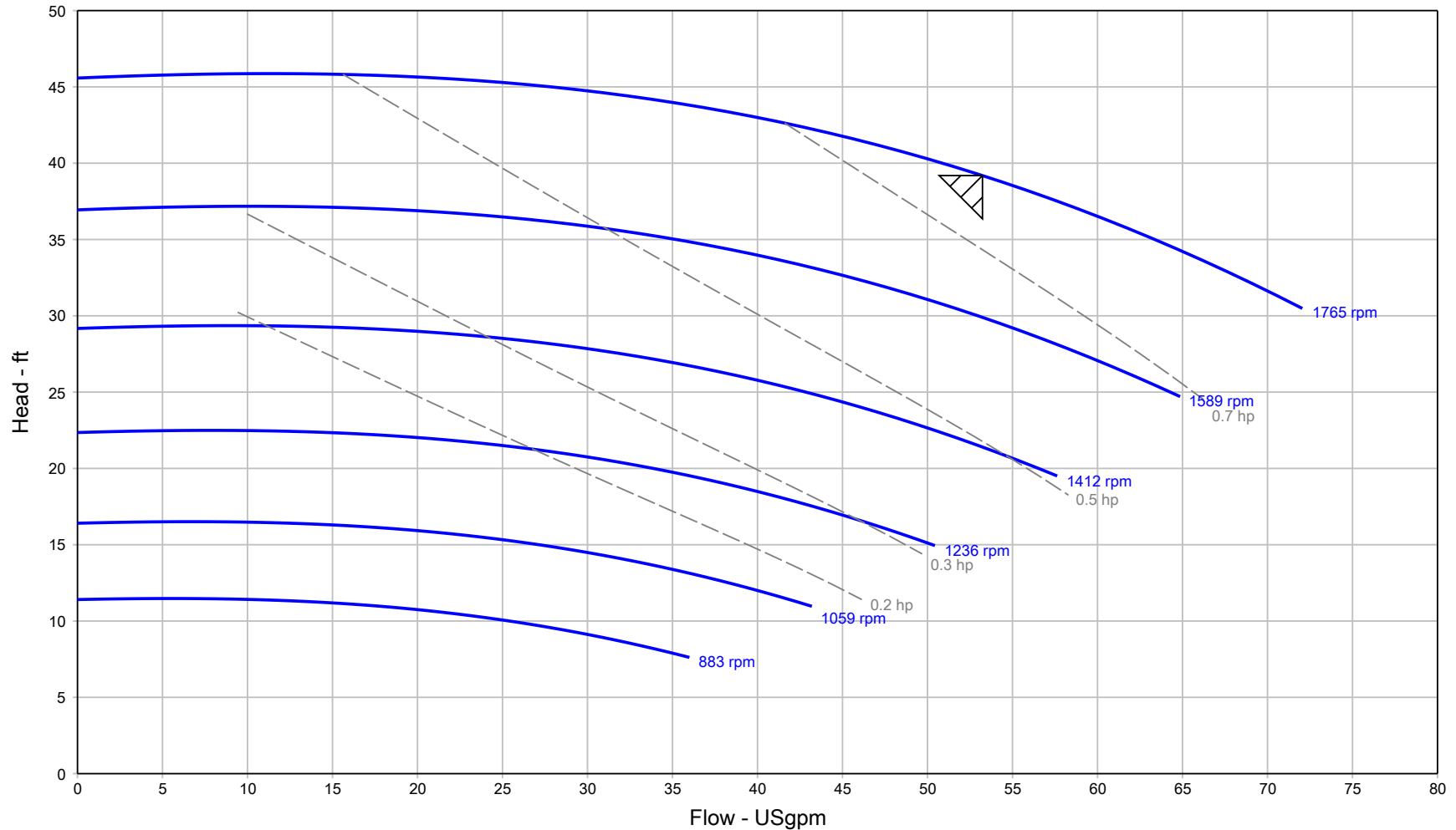


Pump Performance Curve



Project name : Default	Tag Number : 004	Flow, rated : 53.23 USgpm
Consulting engineer :	Service :	Differential head / pressure, rated : 39.19 ft
Customer :	Model : 10707 LC	Rated power (based on duty point) : 0.85 hp
Customer ref. / PO :	Quantity : 1	Max power (non-overloading) : 1.00 hp
Quote Number / ID : 596697	Quoted By (Sales Office) : PFC EQUIPMENT INC :	Efficiency : 61.75 %
Date last saved : 01/23/2020 7:42 AM	Quoted By (Sales Engineer) : 1	Impeller diameter, rated : 6.46 in
Based on curve number : RC9715-1-SS Rev 0	Stages : 1765 rpm	PEI (CL) : 0.90
	Speed, rated :	ER (CL) : 10

Multi-Speed Performance Curve



Project name	: Default	Tag Number	: 004	Speed, rated	: 1765 rpm
Consulting engineer	:	Service	:	Flow, rated	: 53.23 USgpm
Customer	:	Model	: 10707 LC	Differential head / pressure, rated	: 39.19 ft
Customer ref. / PO	:	Quantity	: 1	Fluid density, rated / max	: 1.000 / 1.000 SG
Quote Number / ID	: 596697	Quoted By (Sales Office)	: PFC EQUIPMENT INC	Viscosity	: 1.00 cP
Date last saved	: 01/23/2020 7:42 AM	Quoted By (Sales Engineer)	: 1	Cq/Ch/Ce/Cn [ANSI/HI 9.6.7-2010]	: 1.00 / 1.00 / 0.99 / 1.00
		Stages		Based on curve number	: RC9715-1-SS Rev 0

Construction Datasheet

Project name	: Default	Tag Number	: 004
Consulting engineer	:	Service	:
Customer	:	Model	: 10707 LC
Customer ref. / PO	:	Quantity	: 1
Quote Number / ID	: 596697	Quoted By (Sales Office)	: PFC EQUIPMENT INC :
Date last saved	: 01/23/2020 7:42 AM	Quoted By (Sales Engineer)	:

Construction				Motor Information	
Nozzle	Size (in.)	Nozzle Configuration	Pos'n	Manufacturer	: Baldor
Suction	1.25	NPS	End	Frame Size	: 143JM
Discharge	1	NPS	Top	Power	: 1.00 hp

Orientation / Configuration	: Horizontal	RPM	: 1800 rpm
Rotation	: Clockwise	Enclosure	: TEFC
Wear Ring Configuration	: Single - Case	Operating Power Supply	: 230/460/3/60
Discharge Elbow Size	: -	Efficiency	: Premium
Subplate	: -	Service factor	: 1.15
Sump Depth (feet)	: -	Motor Application	: General Purpose
Bearing Frame	: -	Motor Options/Accessories	: -
Bearing Frame Foot	: -	Cord Length (feet)	: -

Materials	
Case	: Cast Iron, ASTM A48 - Class 30
Motor Bracket	: Cast Iron, ASTM-A48, CL 30
Impeller	: Stainless Steel, AISI-304 (H304)
Impeller Cap Screw and Washer	: Stainless Steel, AISI-303
Impeller Key	: Stainless Steel, AISI 316
Case wear ring	: Tin Bronze, ASTM B584-90500 (B18)
Impeller wear ring	: -
Pump Shaft	: Steel, AISI-1040
Sleeve	: Bronze, III932, C89835
Line Shaft	: -
Column	: -
Discharge Pipe	: -
Discharge Elbow	: -
Suction Elbow	: -
Subplate	: -
Hardware	: Steel, Grade 5
O Rings	: Buna N
Pump Coatings	: Standard Manufacturer's Paint

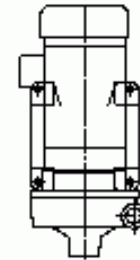
Baseplate, Coupling and Guard	
Baseplate	: Not Applicable
Drip Pan	: -
Coupling	: -
Guard	: Not Applicable

Seal & Packing Construction	
Sealing Method	: Single Seal, Type 21S
Seal Material	: Buna Carbon Ceramic SS-Spring and Hardware
Packing Gland	: -
Lantern Ring	: -
Recirculation Lines	: None

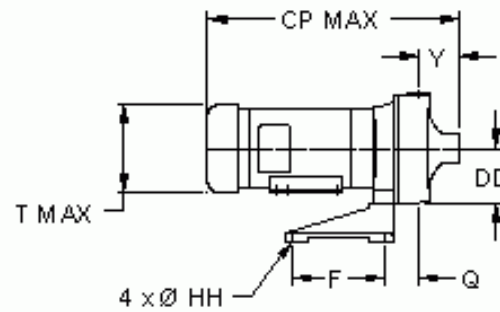
Weights (Approx.)	
Pump	: 22.00 lb
Baseplate	: -
Driver	: 44.00 lb
Estimated Shipping gross weight	: 66.00 lb

General Arrangement

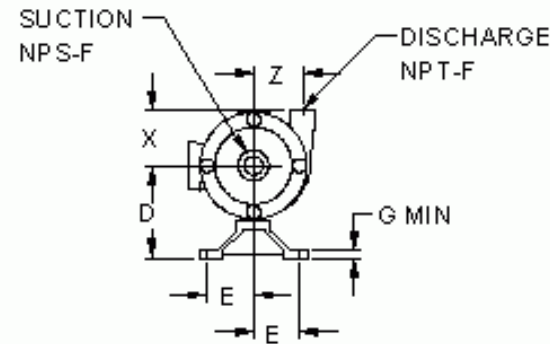
Project name	: Default	Tag Number	: 004
Consulting engineer	:	Service	:
Customer	:	Model	: 10707 LC
Customer ref. / PO	:	Quantity of pumps	: 1
Quote Number / ID	: 596697	Quoted By (Sales Office)	: PFC EQUIPMENT INC :
Date last saved	: 01/23/2020 7:42 AM	Quoted By (Sales Engineer)	:



PLAN



SIDE VIEW



END VIEW

NOT FOR CONSTRUCTION, Unless certified and referenced on order

Units	Frame	Suct(in)	Disch(in)	CP	D	DD	E	F	G	HH	Q	T	X	Y	Z	Weight ea
inches	143JM	1.25	1	20.00	7.50	4.38	3.75	7.50	0.63	0.44	2.69	6.63	4.50	3.25	4.00	66.00

Conditions of Service			Motor Data			
Flow: 53.23 USgpm	Fluid: Cold Water	HP: 1	Encl: TEFC	Phase: 3	Efficiency: Premium	
TDH: 39.19 ft	Temp.: 68.00 deg F	RPM: 1765 rpm	Hz: 60	Voltage: 230/460	S.F.: 1.15	