

**BALDOR® • RELIANCE** 

**Product Information Packet**

**PFC EQUIPMENT**

**VEM4108T**

**30HP,3520RPM,3PH,60HZ,286TSC,0950M,TEFC**

Part Detail							
Revision:	B	Status:	PRD/A	Change #:		Proprietary:	No
Type:	AC	Elec. Spec:	09WGT474	CD Diagram:	CD0180	Mfg Plant:	
Mech. Spec:	09F909	Layout:	09LYF909	Poles:	02	Created Date:	11-09-2017
Base:	N	Eff. Date:	07-02-2019	Leads:	9#10		

Specs			
Catalog Number:	VEM4108T	Heater Indicator:	No Heater
Enclosure:	TEFC	Insulation Class:	F
Frame:	286TSC	Inverter Code:	Inverter Ready
Frame Material:	Iron	KVA Code:	J
Output @ Frequency:	30.000 HP @ 60 HZ	Lifting Lugs:	Standard Lifting Lugs
Synchronous Speed @ Frequency:	3600 RPM @ 60 HZ	Locked Bearing Indicator:	Locked Bearing
Voltage @ Frequency:	460.0 V @ 60 HZ	Motor Lead Quantity/Wire Size:	9 @ 10 AWG
	230.0 V @ 60 HZ	Motor Lead Exit:	Ko Box
XP Class and Group:	None	Motor Lead Termination:	Flying Leads
XP Division:	Not Applicable	Motor Type:	0950M
Agency Approvals:	UR	Mounting Arrangement:	F1
	CSA EEV	Power Factor:	89
	CSA	Product Family:	General Purpose
Auxillary Box:	No Auxillary Box	Pulley End Bearing Type:	Ball
Auxillary Box Lead Termination:	None	Pulley Face Code:	C-Face
Base Indicator:	No Mounting	Pulley Shaft Indicator:	Standard
Bearing Grease Type:	Polyrex EM (-20F +300F)	Rodent Screen:	None
Blower:	None	Shaft Extension Location:	Pulley End

<b>Current @ Voltage:</b>	34.000 A @ 460.0 V	<b>Shaft Ground Indicator:</b>	No Shaft Grounding
	68.000 A @ 230.0 V	<b>Shaft Rotation:</b>	Reversible
	74.000 A @ 208.0 V	<b>Shaft Slinger Indicator:</b>	Shaft Slinger
<b>Design Code:</b>	A	<b>Speed Code:</b>	Single Speed
<b>Drip Cover:</b>	No Drip Cover	<b>Motor Standards:</b>	NEMA
<b>Duty Rating:</b>	CONT	<b>Starting Method:</b>	Direct on line
<b>Electrically Isolated Bearing:</b>	Not Electrically Isolated	<b>Thermal Device - Bearing:</b>	None
<b>Feedback Device:</b>	NO FEEDBACK	<b>Thermal Device - Winding:</b>	None
<b>Front Face Code:</b>	Standard	<b>Vibration Sensor Indicator:</b>	No Vibration Sensor
<b>Front Shaft Indicator:</b>	None	<b>Winding Thermal 1:</b>	None
		<b>Winding Thermal 2:</b>	None

<b>Nameplate NP3443LUA</b>										
CAT.NO.	VEM4108T				CUST. P/N				ENCL	TEFC
SPEC.	09F909T474G1		CC	010A	FRAME	286TSC		SER.NO.		
HP	30		CLASS	F	HZ	60				
R.P.M.	3520		PH.	3	DES.	A				
VOLTS	230/460			CODE	J	ODE BRG	6208	DE BRG	6311	
AMPS	68/34			USABLE AT 208V	74					
RATING	40C AMB-CONT			NEMA NOM. EFF.	91.7		GREASE	POLYREX EM		
P.F.	89	SER.F.	1.15		CT6-60H(10:1)VT3-60H(20:1)					
USABLE AT	50Hz 30HP 190/380V 82/41A				1.0SF					
VOLTS		AMPS		MAX. SPACE HEATER TEMP.						

Parts List		
Part Number	Description	Quantity
SA347597	SA 09F909T474G1	1.000 EA
RA336154	RA 09F909T474G1	1.000 EA
09FN3001D01SP	EXTERNAL FAN, PLASTIC	1.000 EA
10CB3000SP	KOBX, CAST W/2.00 LEAD HOLE	1.000 EA
09GS1000SP	GASKET-CONDUIT BOX, 1/16 THICK LEXIDE	1.000 EA
10XN3118K12	5/16-18 X .75 GRADE 5, ZINC PLATED	4.000 EA
HW1001A31	LOCKWASHER 5/16, ZINC PLT.591 OD, .319 I	4.000 EA
WD1000B25	GND LUG, BURNDY L125HP OR T&B L125HP-BB	1.000 EA
19XW3118G08	.31-18X.50,HEX WSHR HD,TAPTITE 2,GREEN	1.000 EA
09FE1100A14	FREP ASSEMBLY, 09EP1100A14	1.000 EA
HW1001A38	LOCKWASHER 3/8, ZINC PLT .688 OD, .382 I	4.000 EA
XY3816A12	3/8-16 FINISHED NUT	4.000 EA
HW5100A08	W3118-035 WVY WSHR (WB)	1.000 EA
10XN2520K28	1/4-20 X 1.75" HX HD SCRWGRADE 5, ZINC P	2.000 EA
HW1001A25	LOCKWASHER 1/4, ZINC PLT .493 OD, .255 I	2.000 EA
10XN3118K40	5/16-18 X 2.50" HEX HD, GRADE 5	4.000 EA
HW1001A31	LOCKWASHER 5/16, ZINC PLT.591 OD, .319 I	4.000 EA
09EP1310A08	SPL FACE MTD EP 284-6TC 309 ENCL 311 BRG	1.000 EA
HW4600B40	V-RING SLINGER 2.000 X 2.680 X .28 VITON	1.000 EA
HA3113A02	THRUBOLT 3/8-16 X 16.750	4.000 EA
HW1001A38	LOCKWASHER 3/8, ZINC PLT .688 OD, .382 I	4.000 EA
09FH4000SP	309 FH - BLACK PRIMER	1.000 EA
HW1001A38	LOCKWASHER 3/8, ZINC PLT .688 OD, .382 I	4.000 EA
XY3816A12	3/8-16 FINISHED NUT	4.000 EA

Parts List (continued)		
Part Number	Description	Quantity
HA2081A05	SPACER TUBE, 309 FAN HSG, 2.00 LONG	4.000 EA
10CB3500SP	CONDUIT BOX LID, CAST	1.000 EA
10GS1000SP	GASKET, CONDUIT BOX LID	1.000 EA
51XW2520A12	.25-20 X .75, TAPTITE II, HEX WSHR SLTD	2.000 EA
HW2501G17	KEY, 3/8 SQ X 1.875	1.000 EA
LB1115N	LABEL,LIFTING DEVICE (ON ROLLS)	1.000 EA
PK6014	STEEL STRAP FOR 309-312 BASELESS MOTORS	3.000 EA
19XW3118A08	.31-18 X .50 HEX WASHER HEAD TAPTITE II	3.000 EA
HW4500A05	1669B ALEM/UNIV860 GR FTG X	1.000 EA
HW4500A17	317400 ALEMITE GREASE RELIEF	1.000 EA
HA4054	SHORT T-DRAIN FITTING, .125" N.P.T.	1.000 EA
HA4051A00	PLASTIC CAP FOR GREASE FITTING	1.000 EA
MJ1000A02	GREASE, MOBIL POLYREX EM - 124047	0.080 LB
HW4500A03	GREASE FITTING, .125 NPT 1610(ALEMITE) 8	1.000 EA
HW4500A17	317400 ALEMITE GREASE RELIEF	1.000 EA
HA4054	SHORT T-DRAIN FITTING, .125" N.P.T.	1.000 EA
HA4051A00	PLASTIC CAP FOR GREASE FITTING	1.000 EA
51XB1214A20	12-14X1.25 HXWSSLD SERTYB	1.000 EA
HW2500A25	WOODRUFF KEY USA #1008 #BLOW CARBON STEE	1.000 EA
MG1000Y03	MUNSELL 2.53Y 6.70/ 4.60, GLOSS 20,	0.050 GA
85XU0407S04	4X1/4 U DRIVE PIN STAINLESS	4.000 EA
LB1119N	WARNING LABEL	1.000 EA
LC0181	CONNECTION LABEL	1.000 EA
NP3443LUA	SS SUPER-E UL CSA-EEV PREM CC	1.000 EA

Product Information Packet: VEM4108T - 30HP,3520RPM,3PH,60HZ,286TSC,0950M,TEFC

---

40PA1017	PACKAGING GROUP, 09 VERT LARGE FLANGE	1.000 EA
MN416A01	TAG-INSTAL-MAINT no wire (1200/bx) 3/19	1.000 EA

**AC Induction Motor Performance Data**

Record # 67631 - Typical performance - not guaranteed values

<b>Winding:</b> 09WGT474-R001	<b>Type:</b> 0950M	<b>Enclosure:</b> TEFC
-------------------------------	--------------------	------------------------

Nameplate Data				460 V, 60 Hz: High Voltage Connection	
Rated Output (HP)	30			Full Load Torque	44.65 LB-FT
Volts	230/460			Start Configuration	direct on line
Full Load Amps	68/34			Breakdown Torque	173 LB-FT
R.P.M.	3520			Pull-up Torque	87.6 LB-FT
Hz	60	Phase	3	Locked-rotor Torque	104 LB-FT
NEMA Design Code	A	KVA Code	J	Starting Current	283 A
Service Factor (S.F.)	1.15			No-load Current	10.9 A
NEMA Nom. Eff.	91.7	Power Factor	90	Line-line Res. @ 25°C	0.2527 Ω
Rating - Duty	40C AMB-CONT			Temp. Rise @ Rated Load	79°C
S.F. Amps				Temp. Rise @ S.F. Load	97°C
				Locked-rotor Power Factor	28

**Load Characteristics 460 V, 60 Hz, 30 HP**

% of Rated Load	25	50	75	100	125	150	S.F.
Power Factor	58	78	86	89	90	91	90
Efficiency	87.7	91.8	92.4	92.1	91.3	90.2	91.6
Speed	3580.7	3562.2	3542.3	3521	3497.7	3471	3507
Line amperes	13.7	19.4	26.4	34.2	42.4	51.3	39.1



Performance Graph at 460V, 60Hz, 30.0HP Typical performance - Not guaranteed values

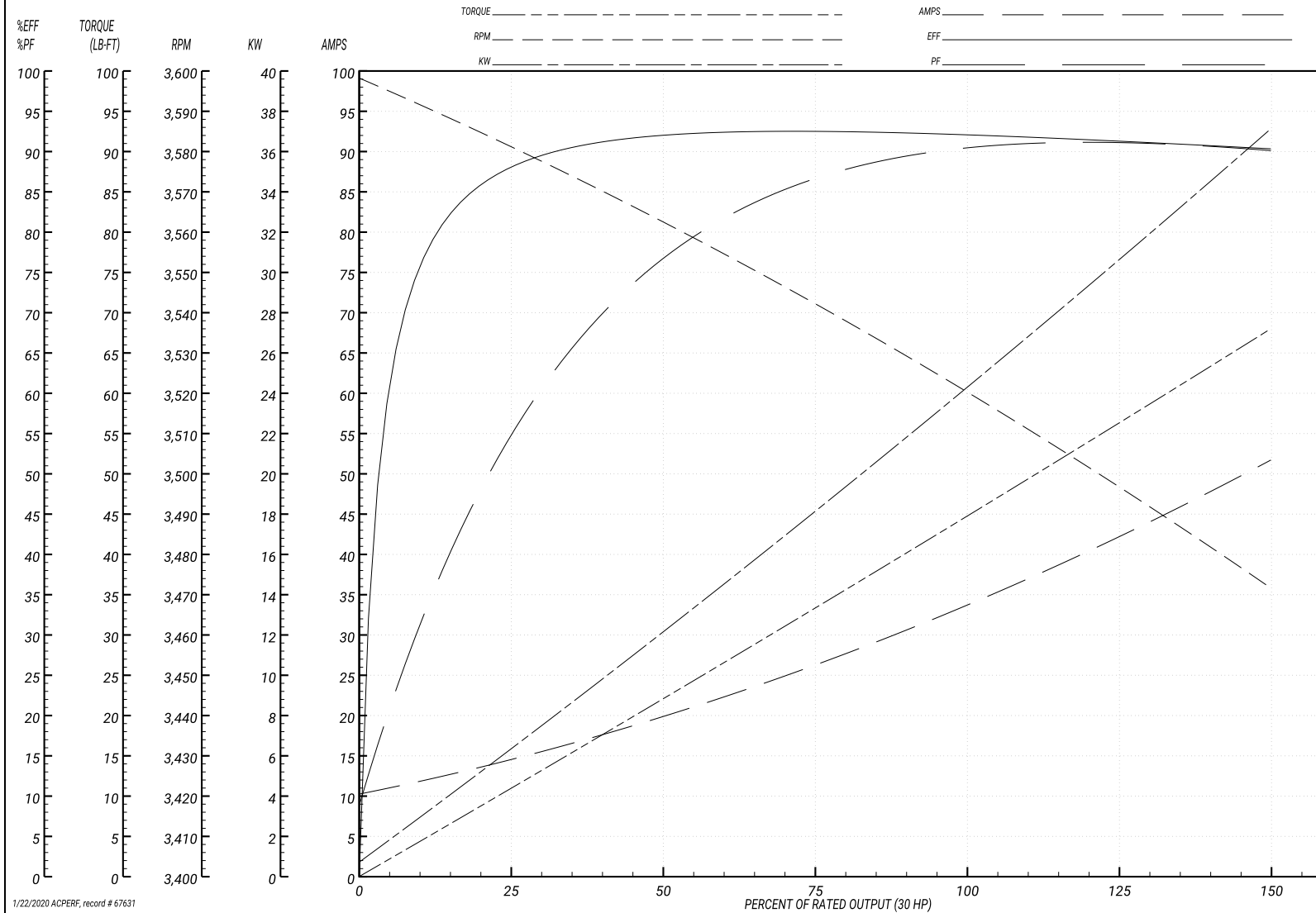
ABB Motors and Mechanical Inc.

WINDING # 09WGT474

Typical performance - not guaranteed values.

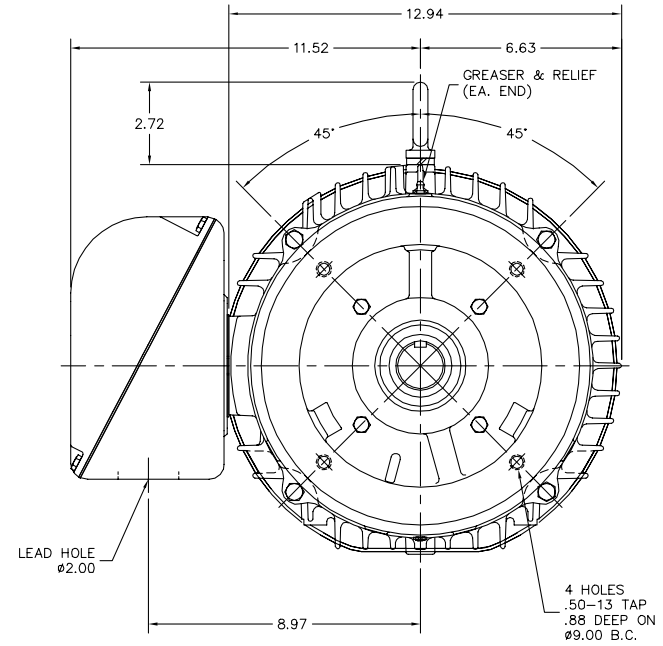
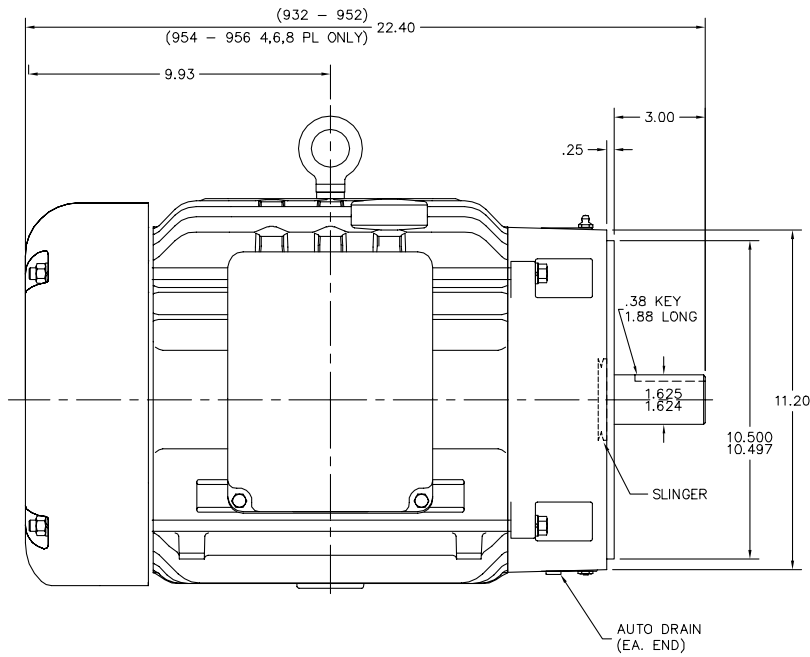
30 HP 3 PH 60 HZ 3520 RPM 460 V 0950M

TORQUES(LB-FT): PO=173 PU=87.6 LR=104 LRA=283



1/22/2020 ACPERF, record # 67631

09LYF909



09LYF909

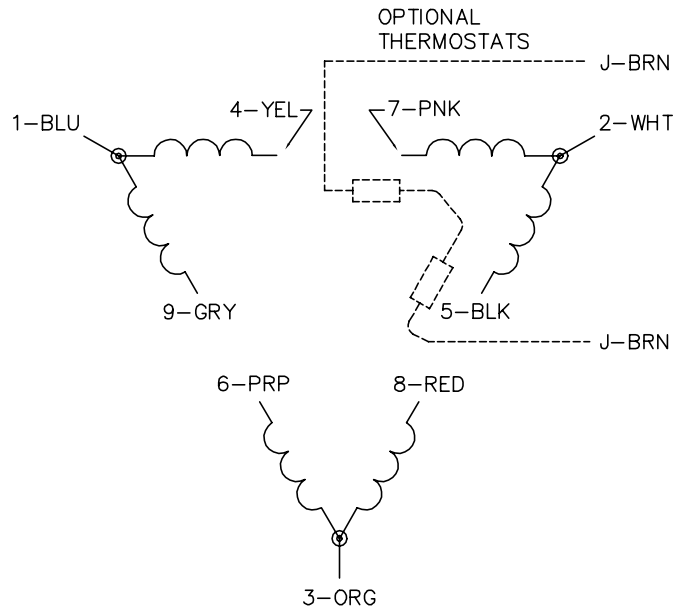
CUSTOMER IS RESPONSIBLE FOR DETERMINING THAT BALDOR'S PRODUCT WILL PERFORM SUITABLY IN THE INTENDED APPLICATION.

REV. DESC: REMOVE LOCKNUT	VERSION: 06	TDR: 000000955506
REV. LTR: F	REVISED: 12:59:34 12/09/2015	BY: USODDIL
FILE: \AAA\00099\116		
MTL: -		

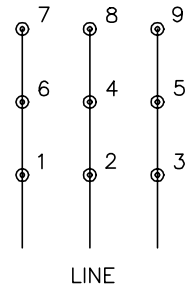
**BALDOR**

VERT TEFC 284-6TSC W/SPL SHOVE  
SH 1 of 1

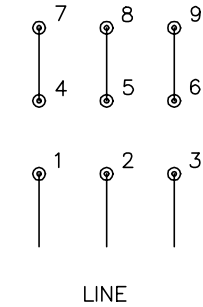
CD0180



LOW VOLTAGE  
(2D)



HIGH VOLTAGE  
(1D)



NOTES:

1. INTERCHANGE ANY TWO LINE LEADS TO REVERSE ROTATION.
2. OPTIONAL THERMOSTATS ARE PROVIDED WHEN SPECIFIED.
3. ACTUAL NUMBER OF INTERNAL PARALLEL CIRCUITS MAY BE A MULTIPLE OF THOSE SHOWN ABOVE.
4. LEAD COLORS ARE OPTIONAL. LEADS MUST ALWAYS BE NUMBERED AS SHOWN.

CD0180

REV. DESC: ADD CLASS CONN00000007		
REV. LTR: D	VERSION: 01	TDR: 000001099922
FILE: \AAA\00005\148	REVISED: 10:25:29 02/19/2019	BY: ENBRIRO
MTL: -	© □	

**BALDOR - RELIANCE®**

3PH, DV, 9 LEADS, DELTA CONNECTION

SH 1 of 1

Marketing maintained PDF of MN416:

<http://www.baldor.com/support/Literature/Load.ashx/MN416?ManNumber=MN416>