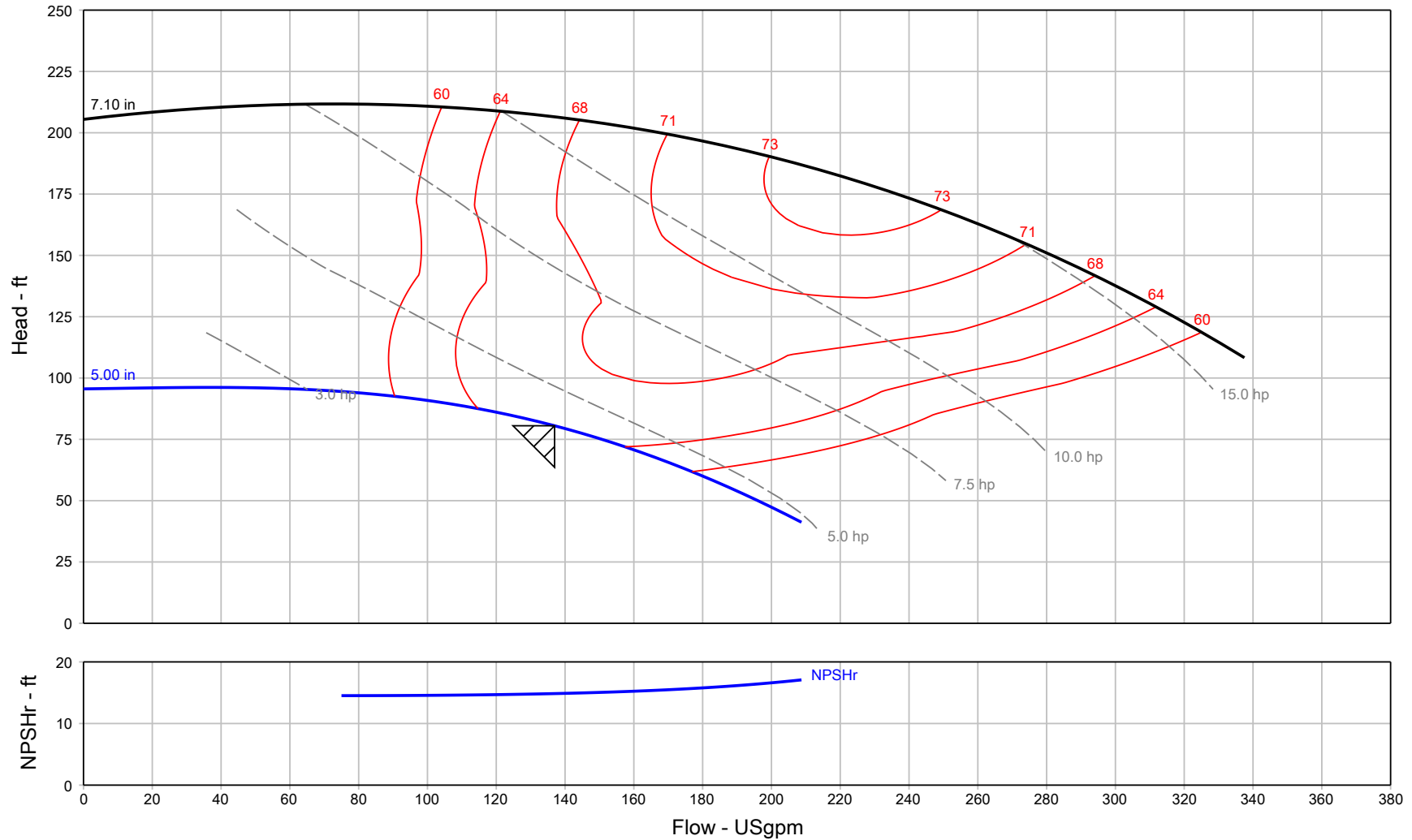
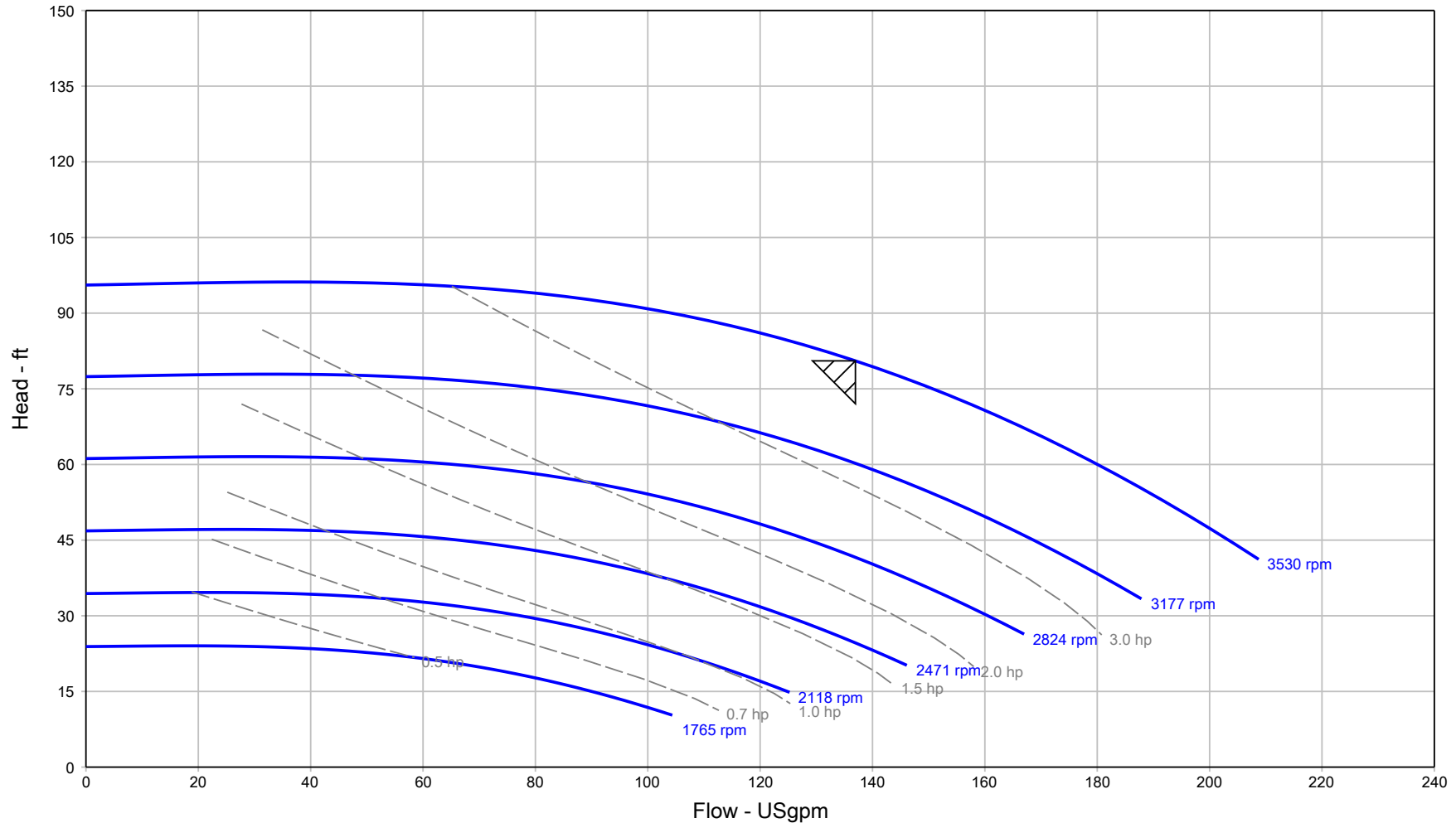


Pump Performance Curve



Project name	:	Tag Number	:	001	Flow, rated	:	137.0 USgpm
Consulting engineer	:	Service	:		Differential head / pressure, rated	:	80.54 ft
Customer	:	Model	:	15705 LC	Rated power (based on duty point)	:	4.27 hp
Customer ref. / PO	:	Quantity	:	1	Max power (non-overloading)	:	4.89 hp
Project Number / ID	:	Quoted By (Sales Office)	:	PFC EQUIPMENT INC	Efficiency	:	65.22 %
Date last saved	:	Quoted By (Sales Engineer)	:	Corey Nath	Impeller diameter, rated	:	5.00 in
Based on curve number	:	Stages	:	1	PEI (CL)	:	0.89
		Speed, rated	:	3530 rpm	ER (CL)	:	11

Multi-Speed Performance Curve



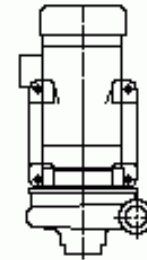
Project name	:	Tag Number	:	001	Speed, rated	:	3530 rpm
Consulting engineer	:	Service	:		Flow, rated	:	137.0 USgpm
Customer	:	Model	:	15705 LC	Differential head / pressure, rated	:	80.54 ft
Customer ref. / PO	:	Quantity	:	1	Fluid density, rated / max	:	1.000 / 1.000 SG
Project Number / ID	:	Quoted By (Sales Office)	:	PFC EQUIPMENT INC	Viscosity	:	1.00 cP
Date last saved	:	Quoted By (Sales Engineer)	:	Corey Nath	Cq/Ch/Ce/Cn [ANSI/HI 9.6.7-2010]	:	1.00 / 1.00 / 1.00 / 1.00
		Stages	:	1	Based on curve number	:	RC2188-SS Rev 0

Construction Datasheet

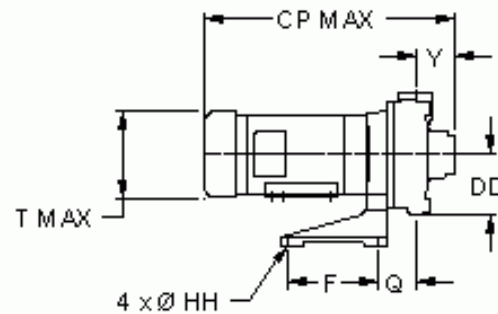
Project name	:		Tag Number	:	001
Consulting engineer	:		Service	:	
Customer	:	PFC EQUIPMENT INC	Model	:	15705 LC
Customer ref. / PO	:		Quantity	:	1
Quote Number / ID	:	1109830	Quoted By (Sales Office)	:	PFC EQUIPMENT INC
Date last saved	:	02/04/2020 2:19 PM	Quoted By (Sales Engineer)	:	Corey Nath
Construction			Motor Information		
Nozzle	Size (in.)	Nozzle Configuration	Pos'n	Manufacturer	: Baldor
Suction	2	NPS	End	Frame Size	: 184JM
Discharge	1.5	NPS	Top	Power	: 5.00 hp
Orientation / Configuration	:	Horizontal	RPM	:	3600 rpm
Rotation	:	Clockwise	Enclosure	:	TEFC
Wear Ring Configuration	:	Single - Case	Operating Power Supply	:	230/460/3/60
Discharge Elbow Size	:	-	Efficiency	:	Premium
Subplate	:	-	Service factor	:	1.15
Sump Depth (feet)	:	-	Motor Application	:	General Purpose
Bearing Frame	:	-	Motor Options/Accessories	:	-
Bearing Frame Foot	:	-	Cord Length (feet)	:	-
Bearing Type (Radial/Thrust)	:	In motor	Materials		
Bearing Lubrication	:	-	Case	:	Cast Iron, ASTM A48 - Class 30
Thrust Bearing	:	-	Motor Bracket	:	Cast Iron, ASTM-A48, CL 30
Intermediate Bearing	:	-	Impeller	:	Stainless Steel, AISI-304 (H304)
Lower Bearing	:	-	Impeller Cap Screw and Washer	:	Stainless Steel, AISI-303
Bearing Housing Accessories	:	-	Impeller Key	:	Stainless Steel, AISI 316
PACO Construction code	:	10-15705-130008-2681P	Case wear ring	:	Tin Bronze, ASTM B584-90500 (B18)
Baseplate, Coupling and Guard			Impeller wear ring	:	-
Baseplate	:	Not Applicable	Pump Shaft	:	Steel, AISI-1040
Drip Pan	:	-	Sleeve	:	Bronze, III932, C89835
Coupling	:	-	Line Shaft	:	-
Guard	:	Not Applicable	Column	:	-
Seal & Packing Construction			Discharge Pipe	:	-
Sealing Method	:	Single Seal, Type 21S	Discharge Elbow	:	-
Seal Material	:	Buna Carbon Ceramic SS-Spring and Hardware	Suction Elbow	:	-
Packing Gland	:	-	Subplate	:	-
Lantern Ring	:	-	Hardware	:	Steel, Grade 5
Recirculation Lines	:	None	O Rings	:	Buna N
Weights (Approx.)			Pump Coatings	:	Standard Manufacturer's Paint
Pump	:	50.00 lb			
Baseplate	:	-			
Driver	:	82.00 lb			
Estimated Shipping gross weight	:	132.0 lb			

General Arrangement

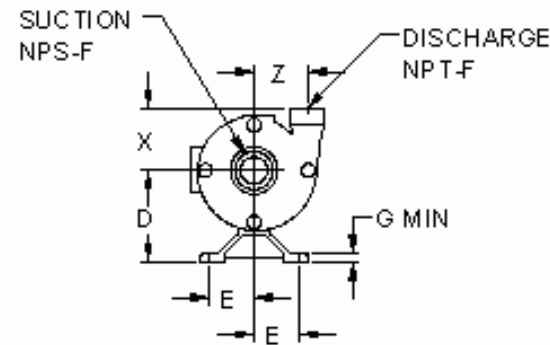
Project name	:	Tag Number	:	: 001
Consulting engineer	:	Service	:	:
Customer	:	Model	:	: 15705 LC
Customer ref. / PO	:	Quantity of pumps	:	: 1
Quote Number / ID	:	Quoted By (Sales Office)	:	: PFC EQUIPMENT INC
Date last saved	:	Quoted By (Sales Engineer)	:	: Corey Nath
	:		:	



PLAN



SIDE VIEW



END VIEW

NOT FOR CONSTRUCTION, Unless certified and referenced on order

Units	Frame	Suct(in)	Disch(in)	CP	D	DD	E	F	G	HH	Q	T	X	Y	Z	Weight ea
inches	184JM	2	1.5	25.00	7.50	5.00	3.75	7.50	0.63	0.44	3.06	8.00	5.13	3.13	4.38	132.0

Conditions of Service			Motor Data			
Flow: 137.0 USgpm	Fluid: Cold Water	HP: 5	Encl: TEFC	Phase: 3	Efficiency: Premium	
TDH: 80.54 ft	Temp.: 68.00 deg F	RPM: 3530 rpm	Hz: 60	Voltage: 230/460	S.F.: 1.15	