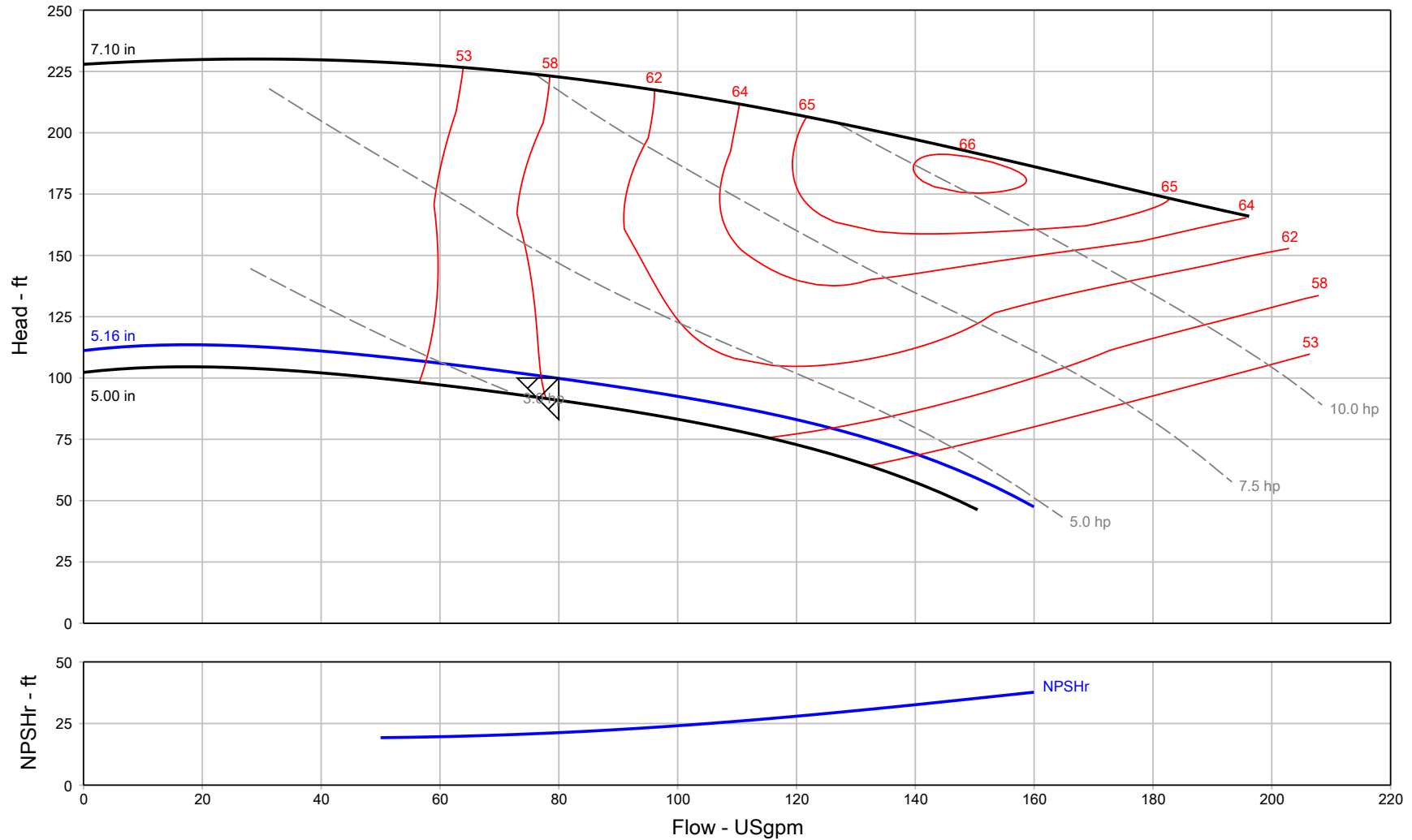
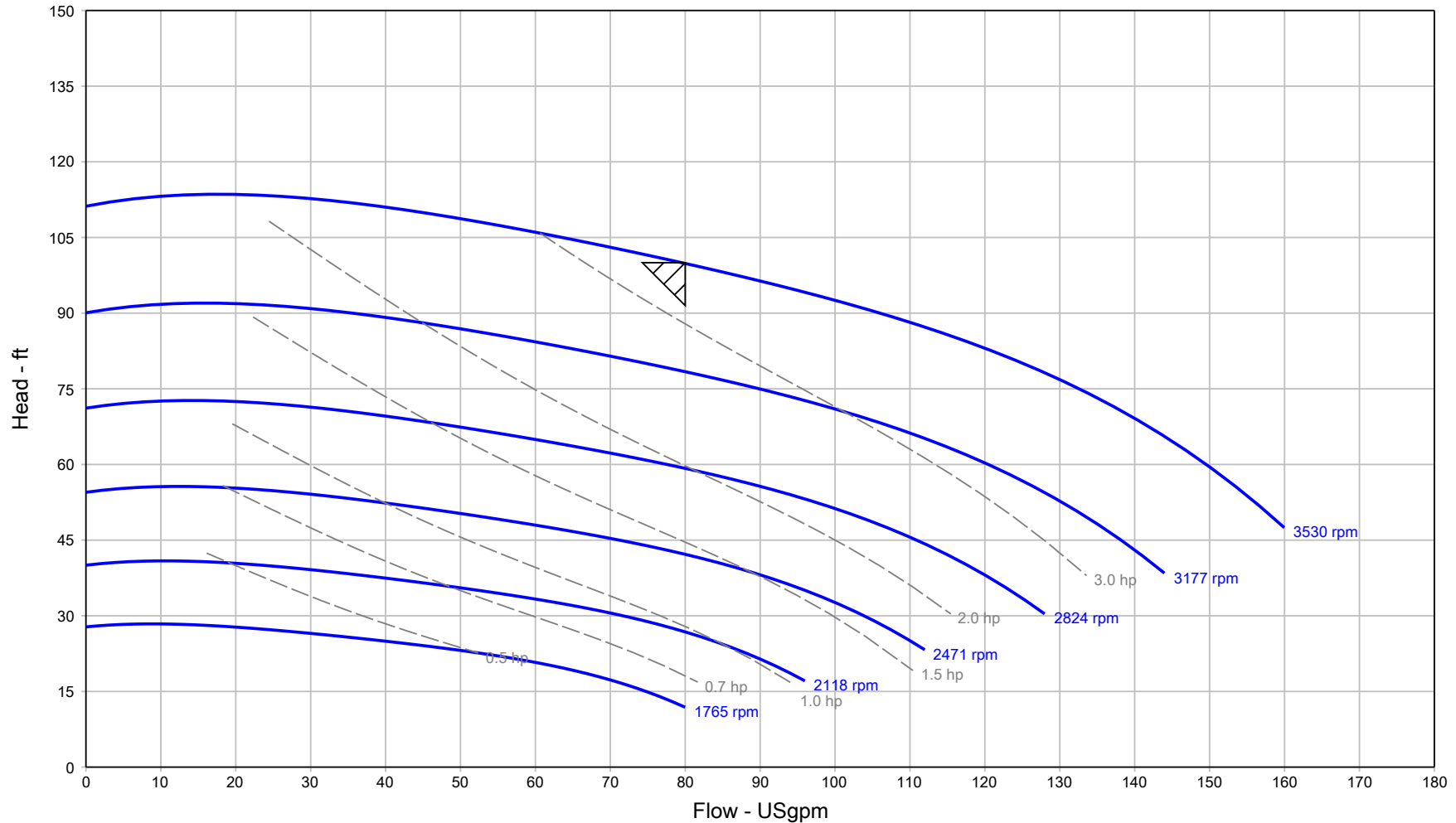


Pump Performance Curve



Project name	: 1119494	Tag Number	: 006	Flow, rated	: 80.00 USgpm
Consulting engineer	:	Service	:	Differential head / pressure, rated	: 100.0 ft
Customer	:	Model	: 12709 LF	Rated power (based on duty point)	: 3.45 hp
Customer ref. / PO	:	Quantity	: 1	Max power (non-overloading)	: 4.86 hp
Project Number / ID	: 1119494	Quoted By (Sales Office)	: PFC EQUIPMENT INC	Efficiency	: 58.50 %
Date last saved	: 02/21/2020 2:11 PM	Quoted By (Sales Engineer)	: Corey Nath	Impeller diameter, rated	: 5.16 in
Based on curve number	: RC2275-1-SS Rev 1	Stages	: 1	PEI (CL)	: 0.88
		Speed, rated	: 3530 rpm	ER (CL)	: 12

Multi-Speed Performance Curve



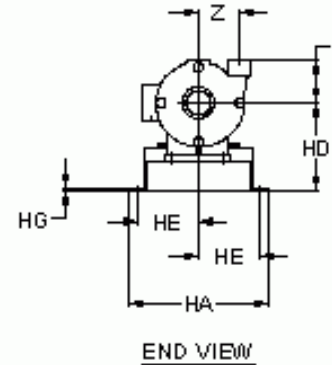
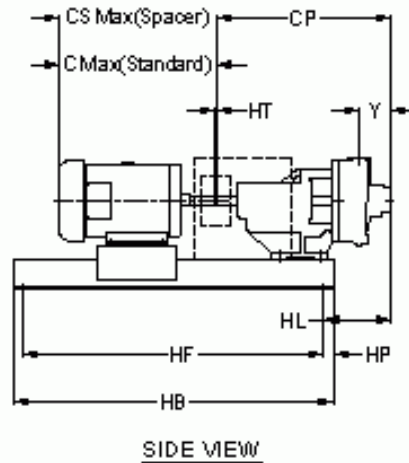
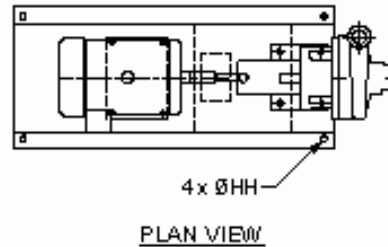
Project name	: 1119494	Tag Number	: 006	Speed, rated	: 3530 rpm
Consulting engineer	:	Service	:	Flow, rated	: 80.00 USgpm
Customer	:	Model	: 12709 LF	Differential head / pressure, rated	: 100.0 ft
Customer ref. / PO	:	Quantity	: 1	Fluid density, rated / max	: 1.000 / 1.000 SG
Project Number / ID	: 1119494	Quoted By (Sales Office)	: PFC EQUIPMENT INC	Viscosity	: 1.00 cP
Date last saved	: 02/21/2020 2:11 PM	Quoted By (Sales Engineer)	: Corey Nath	Cq/Ch/Ce/Cn [ANSI/HI 9.6.7-2010]	: 1.00 / 1.00 / 1.00 / 1.00
		Stages	: 1	Based on curve number	: RC2275-1-SS Rev 1

Construction Datasheet

Project name	: 1119494	Tag Number	: 006	
Consulting engineer	:	Service	:	
Customer	: PFC EQUIPMENT INC	Model	: 12709 LF	
Customer ref. / PO	:	Quantity	: 1	
Quote Number / ID	: 1119494	Quoted By (Sales Office)	: PFC EQUIPMENT INC	
Date last saved	: 02/21/2020 2:11 PM	Quoted By (Sales Engineer)	: Corey Nath	
Construction		Motor Information		
Nozzle	Size (in.)	Nozzle Configuration	Pos'n	
Suction	1.5	NPS	End	
Discharge	1.25	NPS	Top	
Orientation / Configuration	: Horizontal		Manufacturer	: Baldor
Rotation	: Clockwise		Frame Size	: 184T
Wear Ring Configuration	: Single - Case		Power	: 5.00 hp
Discharge Elbow Size	: -		RPM	: 3600 rpm
Subplate	: -		Enclosure	: TEFC
Sump Depth (feet)	: -		Operating Power Supply	: 230/460/3/60
Bearing Frame	: 3P		Efficiency	: Premium
Bearing Frame Foot	: -		Service factor	: 1.15
Bearing Type (Radial/Thrust)	: Ball/Ball		Motor Application	: General Purpose
Bearing Lubrication	: Greased for life		Motor Options/Accessories	: -
Thrust Bearing	: -		Cord Length (feet)	: -
Intermediate Bearing	: -		Materials	
Lower Bearing	: -		Case	: Cast Iron, ASTM A48 - Class 30
Bearing Housing Accessories	: -		Motor Bracket	: -
PACO Construction code	: 11-12709-133P08-2681P		Impeller	: Stainless Steel, AISI-304 (H304)
Baseplate, Coupling and Guard		Impeller Cap Screw and Washer	: Stainless Steel, AISI-303	
Baseplate	: Welded Steel Fabrication		Impeller Key	: Stainless Steel, AISI 316
Drip Pan	: Drip Pan		Case wear ring	: Tin Bronze, ASTM B584-90500 (B18)
Coupling	: Woods Sureflex Type S (elastomeric) 5S		Impeller wear ring	: Not Applicable
Guard	: OSHA Approved		Pump Shaft	: Stressproof Steel, AISI 1144
Seal & Packing Construction		Sleeve	: Bronze, III932, C89835	
Sealing Method	: Single Seal, Type 21S		Line Shaft	: -
Seal Material	: Buna Carbon Ceramic SS-Spring and Hardware		Column	: -
Packing Gland	: -		Discharge Pipe	: -
Lantern Ring	: -		Discharge Elbow	: -
Recirculation Lines	: None		Suction Elbow	: -
Weights (Approx.)		Subplate	: -	
Pump	: 65.00 lb		Hardware	: Steel, Grade 5
Baseplate	: 60.00 lb		O Rings	: Buna N
Driver	: 77.00 lb		Pump Coatings	: Standard Manufacturer's Paint
Estimated Shipping gross weight	: 202.0 lb			

General Arrangement

Project name	: 1119494	Tag Number	: 006
Consulting engineer	:	Service	:
Customer	: PFC EQUIPMENT INC	Model	: 12709 LF
Customer ref. / PO	:	Quantity of pumps	: 1
Quote Number / ID	: 1119494	Quoted By (Sales Office)	: PFC EQUIPMENT INC
Date last saved	: 02/21/2020 2:11 PM	Quoted By (Sales Engineer)	: Corey Nath



NOT FOR CONSTRUCTION, Unless certified and referenced on order

Units	Frame	Ped	Suct(in)	Disch(in)	C	CP	D	HA	HB	HD	HE	HF	HG	HH	HL	HP	HT	MU	N	Q	U	X	Y	Z	Weight ea
inches	184T	3P	1.5	1.25	18.00	18.40	6.25	15.00	30.63	9.38	6.50	28.63	0.25	0.63	6.84	1.00	0.44	1.13	2.25	4.00	0.88	4.50	3.28	4.31	202.0

Conditions of Service					Motor Data				
Flow: 80.00 USgpm	Fluid: Cold Water	HP: 5	Encl: TEFC	Phase: 3	Efficiency: Premium				
TDH: 100.0 ft	Temp.: 68.00 deg F	RPM: 3530 rpm	Hz: 60	Voltage: 230/460	S.F.: 1.15				