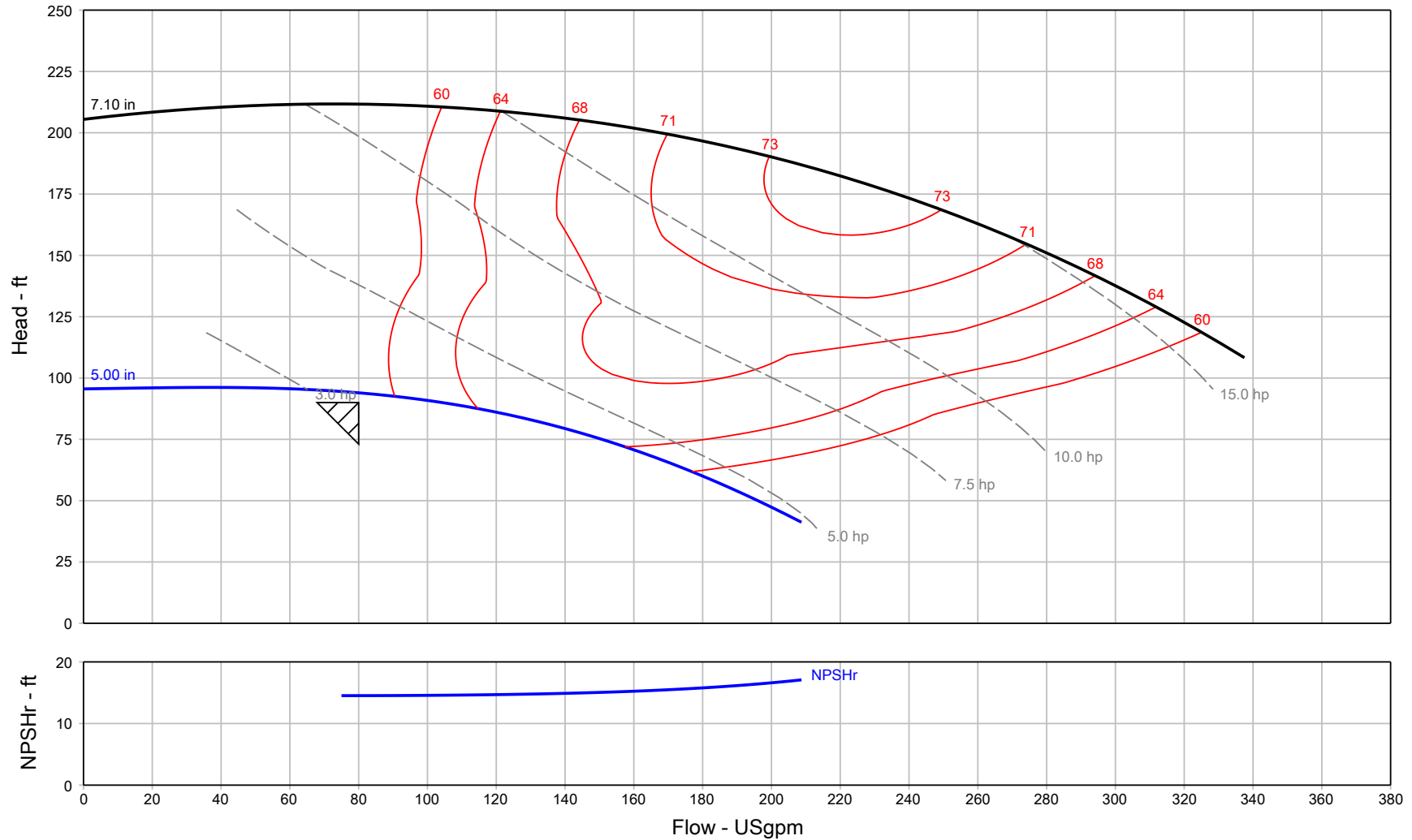
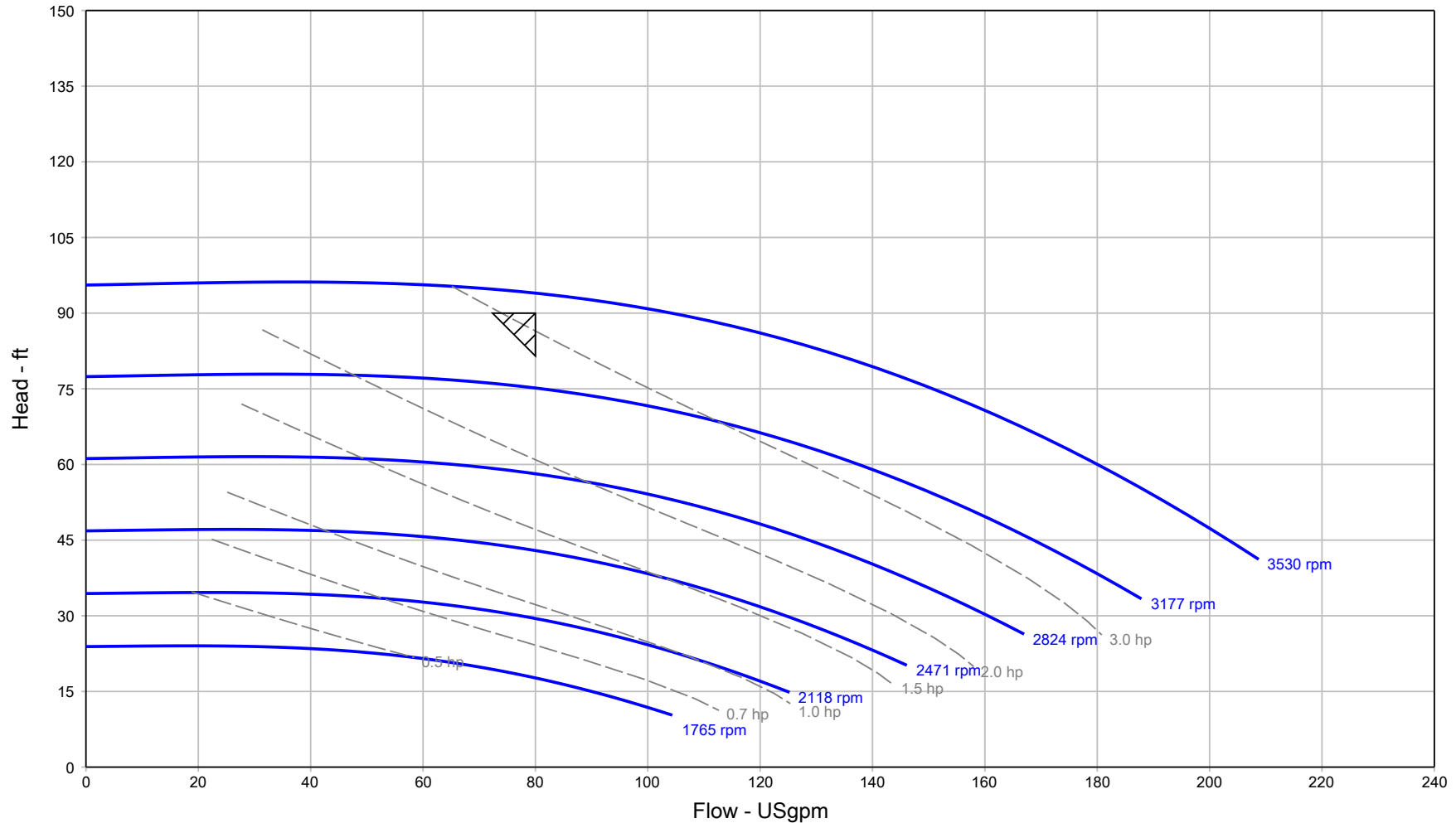


**Pump Performance Curve**



Project name	: 1121192	Tag Number	: 002	Flow, rated	: 80.00 USgpm
Consulting engineer	:	Service	:	Differential head / pressure, rated	: 90.00 ft
Customer	:	Model	: 15705 LF	Rated power (based on duty point)	: 3.31 hp
Customer ref. / PO	:	Quantity	: 1	Max power (non-overloading)	: 4.89 hp
Project Number / ID	: 1121192	Quoted By (Sales Office)	: PFC EQUIPMENT INC	Efficiency	: 57.30 %
Date last saved	: 02/24/2020 9:44 AM	Quoted By (Sales Engineer)	: Corey Nath	Impeller diameter, rated	: 5.00 in
Based on curve number	: RC2188-SS Rev 0	Stages	: 1	PEI (CL)	: 0.87
		Speed, rated	: 3530 rpm	ER (CL)	: 13

**Multi-Speed Performance Curve**



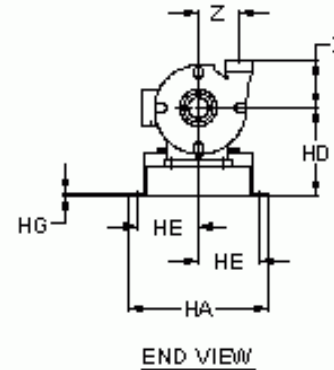
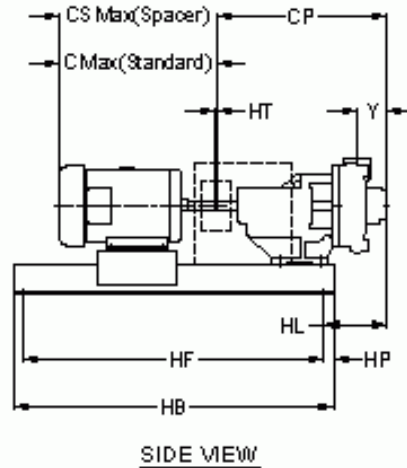
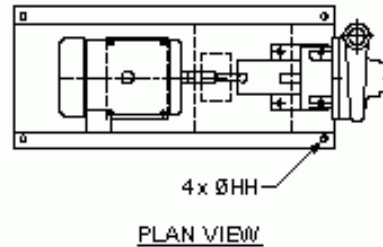
Project name	: 1121192	Tag Number	: 002	Speed, rated	: 3530 rpm
Consulting engineer	:	Service	:	Flow, rated	: 80.00 USgpm
Customer	:	Model	: 15705 LF	Differential head / pressure, rated	: 90.00 ft
Customer ref. / PO	:	Quantity	: 1	Fluid density, rated / max	: 1.000 / 1.000 SG
Project Number / ID	: 1121192	Quoted By (Sales Office)	: PFC EQUIPMENT INC	Viscosity	: 1.00 cP
Date last saved	: 02/24/2020 9:44 AM	Quoted By (Sales Engineer)	: Corey Nath	Cq/Ch/Ce/Cn [ANSI/HI 9.6.7-2010]	: 1.00 / 1.00 / 1.00 / 1.00
		Stages	: 1	Based on curve number	: RC2188-SS Rev 0

**Construction Datasheet**

Project name	: 1121192	Tag Number	: 002
Consulting engineer	:	Service	:
Customer	: PFC EQUIPMENT INC	Model	: 15705 LF
Customer ref. / PO	:	Quantity	: 1
Quote Number / ID	: 1121192	Quoted By (Sales Office)	: PFC EQUIPMENT INC
Date last saved	: 02/24/2020 9:44 AM	Quoted By (Sales Engineer)	: Corey Nath
Construction		Motor Information	
Nozzle	Size (in.)	Nozzle Configuration	Pos'n
Suction	2	NPS	End
Discharge	1.5	NPS	Top
Orientation / Configuration	: Horizontal	Manufacturer	: Baldor
Rotation	: Clockwise	Frame Size	: 184T
Wear Ring Configuration	: Single - Case	Power	: 5.00 hp
Discharge Elbow Size	: -	RPM	: 3600 rpm
Subplate	: -	Enclosure	: TEFC
Sump Depth (feet)	: -	Operating Power Supply	: 230/460/3/60
Bearing Frame	: 3P	Efficiency	: Premium
Bearing Frame Foot	: -	Service factor	: 1.15
Bearing Type (Radial/Thrust)	: Ball/Ball	Motor Application	: General Purpose
Bearing Lubrication	: Greased for life	Motor Options/Accessories	: -
Thrust Bearing	: -	Cord Length (feet)	: -
Intermediate Bearing	: -	Materials	
Lower Bearing	: -	Case	: Cast Iron, ASTM A48 - Class 30
Bearing Housing Accessories	: -	Motor Bracket	: -
PACO Construction code	: 11-15705-133P08-2681P	Impeller	: Stainless Steel, AISI-304 (H304)
Baseplate, Coupling and Guard		Impeller Cap Screw and Washer	: Stainless Steel, AISI-303
Baseplate	: Welded Steel Fabrication	Impeller Key	: Stainless Steel, AISI 316
Drip Pan	: Drip Pan	Case wear ring	: Tin Bronze, ASTM B584-90500 (B18)
Coupling	: Woods Sureflex Type S (elastomeric) 5S	Impeller wear ring	: Not Applicable
Guard	: OSHA Approved	Pump Shaft	: Stressproof Steel, AISI 1144
Seal & Packing Construction		Sleeve	: Bronze, III932, C89835
Sealing Method	: Single Seal, Type 21S	Line Shaft	: -
Seal Material	: Buna Carbon Ceramic SS-Spring and Hardware	Column	: -
Packing Gland	: -	Discharge Pipe	: -
Lantern Ring	: -	Discharge Elbow	: -
Recirculation Lines	: None	Suction Elbow	: -
Weights (Approx.)		Subplate	: -
Pump	: 90.00 lb	Hardware	: Steel, Grade 5
Baseplate	: 60.00 lb	O Rings	: Buna N
Driver	: 77.00 lb	Pump Coatings	: Standard Manufacturer's Paint
Estimated Shipping gross weight	: 227.0 lb		

## General Arrangement

Project name	: 1121192	Tag Number	: 002
Consulting engineer	:	Service	:
Customer	: PFC EQUIPMENT INC	Model	: 15705 LF
Customer ref. / PO	:	Quantity of pumps	: 1
Quote Number / ID	: 1121192	Quoted By (Sales Office)	: PFC EQUIPMENT INC
Date last saved	: 02/24/2020 9:44 AM	Quoted By (Sales Engineer)	: Corey Nath



NOT FOR CONSTRUCTION, Unless certified and referenced on order

Units	Frame	Ped	Suct(in)	Disch(in)	C	CP	D	HA	HB	HD	HE	HF	HG	HH	HL	HP	HT	MU	N	Q	U	X	Y	Z	Weight ea
inches	184T	3P	2	1.5	18.00	18.00	6.25	15.00	30.63	9.38	6.50	28.63	0.25	0.63	6.44	1.00	0.44	1.13	2.25	3.75	0.88	5.13	3.13	4.38	227.0

Conditions of Service				Motor Data			
Flow: 80.00 USgpm	Fluid: Cold Water	HP: 5	Encl: TEFC	Phase: 3	Efficiency: Premium		
TDH: 90.00 ft	Temp.: 68.00 deg F	RPM: 3530 rpm	Hz: 60	Voltage: 230/460	S.F.: 1.15		