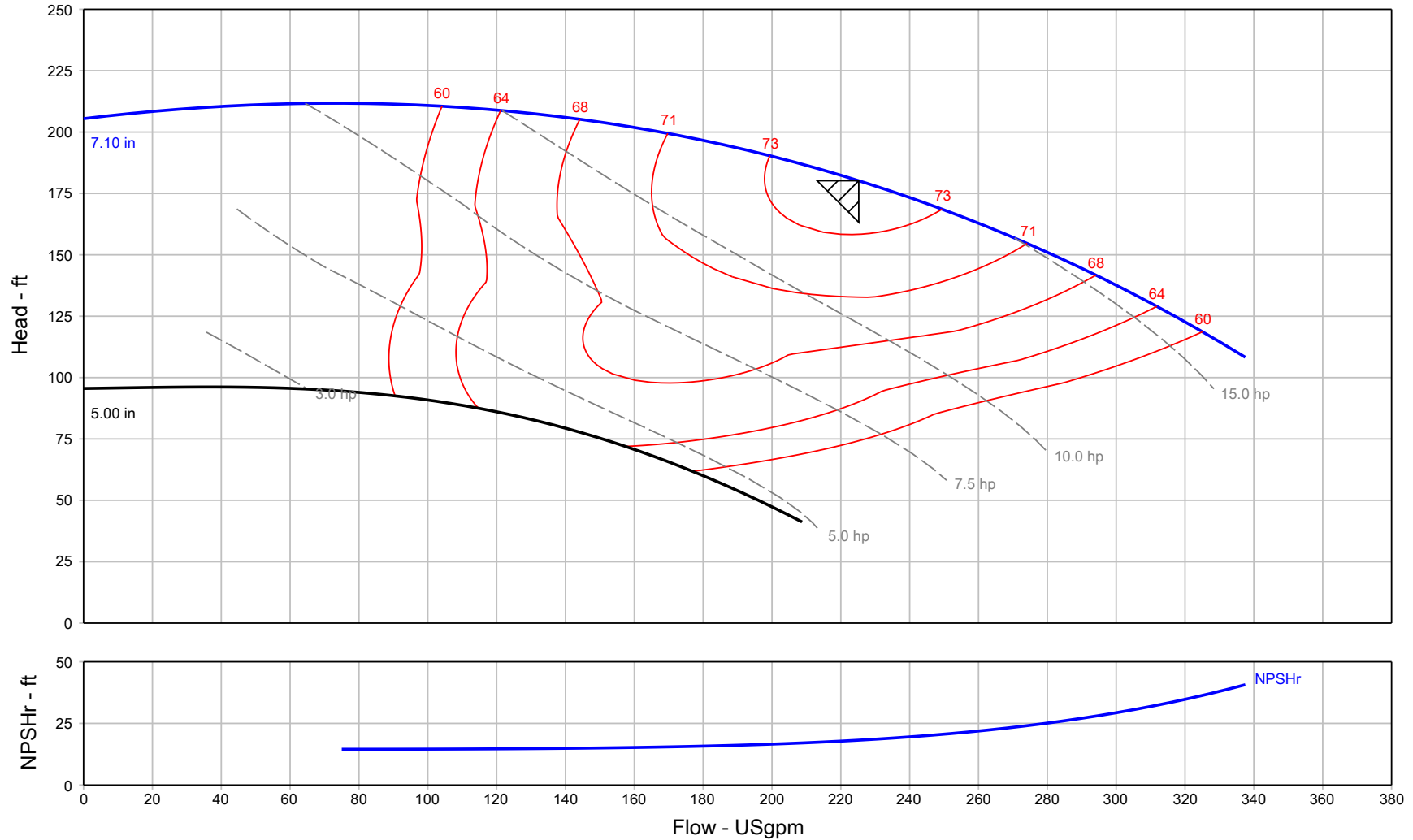
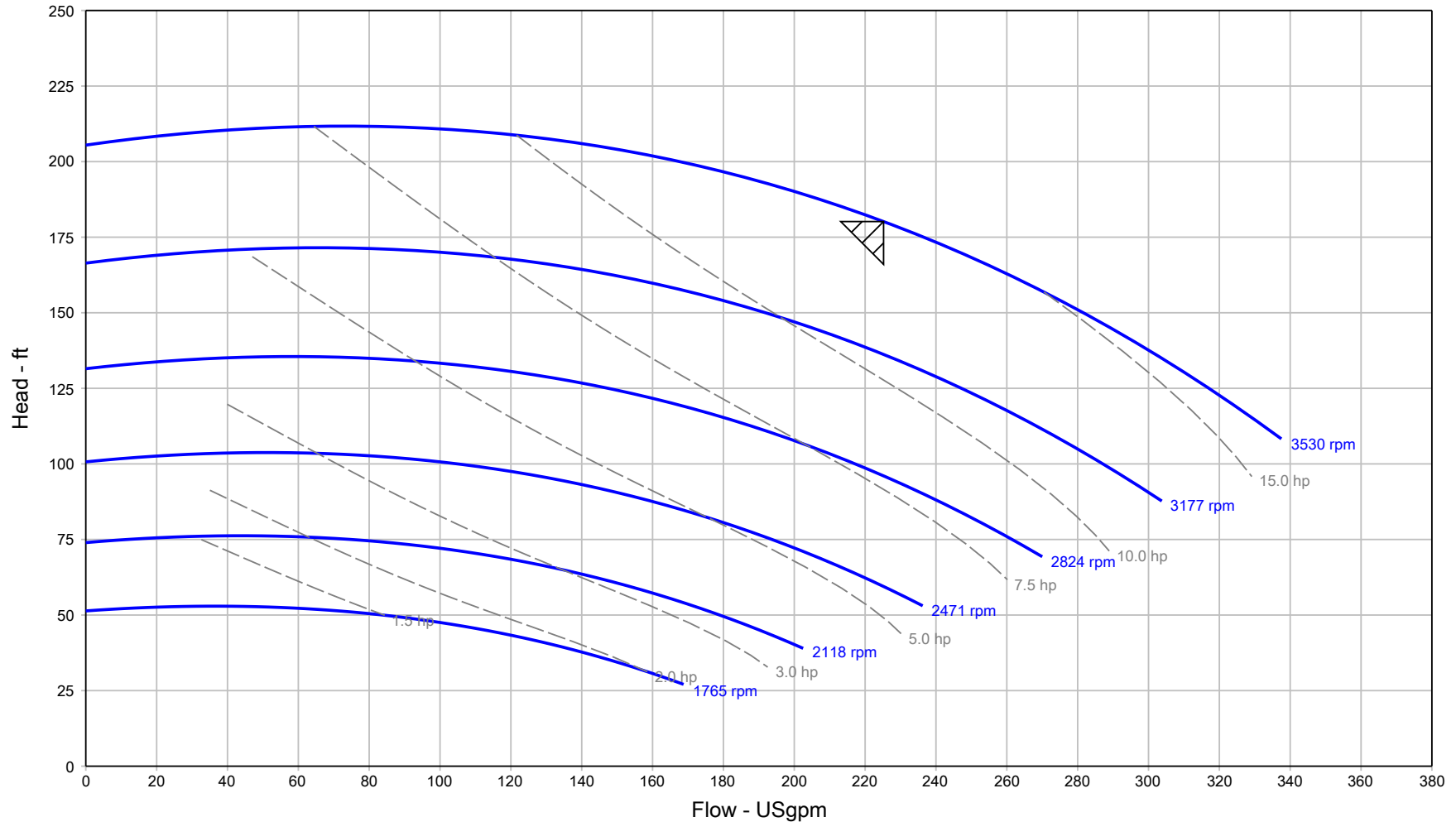


Pump Performance Curve



| | | |
|---|--|--|
| Project name : Default | Tag Number : 001 | Flow, rated : 225.2 USgpm |
| Consulting engineer : | Service : | Differential head / pressure, rated : 180.2 ft |
| Customer : | Model : 15705 LF | Rated power (based on duty point) : 13.92 hp |
| Customer ref. / PO : | Quantity : 1 | Max power (non-overloading) : 16.68 hp |
| Quote Number / ID : 1075123 | Quoted By (Sales Office) : PFC EQUIPMENT INC | Efficiency : 73.57 % |
| Date last saved : 02/24/2020 11:55 AM | Quoted By (Sales Engineer) : Corey Nath | Impeller diameter, rated : 7.10 in |
| Based on curve number : RC2188-SS Rev 0 | Stages : 1 | PEI (CL) : 0.87 |
| | Speed, rated : 3530 rpm | ER (CL) : 13 |

Multi-Speed Performance Curve



| | | | | | |
|---------------------|-----------------------|----------------------------|---------------------|-------------------------------------|-----------------------------|
| Project name | : Default | Tag Number | : 001 | Speed, rated | : 3530 rpm |
| Consulting engineer | : | Service | : | Flow, rated | : 225.2 USgpm |
| Customer | : | Model | : 15705 LF | Differential head / pressure, rated | : 180.2 ft |
| Customer ref. / PO | : | Quantity | : 1 | Fluid density, rated / max | : 1.000 / 1.000 SG |
| Quote Number / ID | : 1075123 | Quoted By (Sales Office) | : PFC EQUIPMENT INC | Viscosity | : 1.00 cP |
| Date last saved | : 02/24/2020 11:55 AM | Quoted By (Sales Engineer) | : Corey Nath | Cq/Ch/Ce/Cn [ANSI/HI 9.6.7-2010] | : 1.00 / 1.00 / 1.00 / 1.00 |
| | | Stages | : 1 | Based on curve number | : RC2188-SS Rev 0 |

Construction Datasheet

| | | | |
|---------------------|-----------------------|----------------------------|---------------------|
| Project name | : Default | Tag Number | : 001 |
| Consulting engineer | : | Service | : |
| Customer | : PFC EQUIPMENT INC | Model | : 15705 LF |
| Customer ref. / PO | : | Quantity | : 1 |
| Quote Number / ID | : 1075123 | Quoted By (Sales Office) | : PFC EQUIPMENT INC |
| Date last saved | : 02/24/2020 11:55 AM | Quoted By (Sales Engineer) | : Corey Nath |

| Construction | | | | Motor Information | |
|--------------|------------|----------------------|-------|-------------------|------------|
| Nozzle | Size (in.) | Nozzle Configuration | Pos'n | Manufacturer | : Baldor |
| Suction | 2 | NPS | End | Frame Size | : 256T |
| Discharge | 1.5 | NPS | Top | Power | : 20.00 hp |

| | | | |
|-----------------------------|-----------------|---------------------------|-------------------|
| Orientation / Configuration | : Horizontal | RPM | : 3600 rpm |
| Rotation | : Clockwise | Enclosure | : TEFC |
| Wear Ring Configuration | : Single - Case | Operating Power Supply | : 230/460/3/60 |
| Discharge Elbow Size | : - | Efficiency | : Premium |
| Subplate | : - | Service factor | : 1.15 |
| Sump Depth (feet) | : - | Motor Application | : General Purpose |
| Bearing Frame | : 3P | Motor Options/Accessories | : - |
| Bearing Frame Foot | : - | Cord Length (feet) | : - |

| | | Materials | |
|------------------------------|-------------------------|-------------------------------|-------------------------------------|
| Bearing Type (Radial/Thrust) | : Ball/Ball | Case | : Cast Iron, ASTM A48 - Class 30 |
| Bearing Lubrication | : Greased for life | Motor Bracket | : - |
| Thrust Bearing | : - | Impeller | : Stainless Steel, AISI-304 (H304) |
| Intermediate Bearing | : - | Impeller Cap Screw and Washer | : Stainless Steel, AISI-303 |
| Lower Bearing | : - | Impeller Key | : Stainless Steel, AISI 316 |
| Bearing Housing Accessories | : - | Case wear ring | : Tin Bronze, ASTM B584-90500 (B18) |
| PACO Construction code | : 11-15705-133P08-2851P | Impeller wear ring | : Not Applicable |

| Baseplate, Coupling and Guard | |
|-------------------------------|--|
| Baseplate | : Welded Steel Fabrication |
| Drip Pan | : Drip Pan |
| Coupling | : Woods Sureflex Type S (elastomeric) 6S |
| Guard | : OSHA Approved |

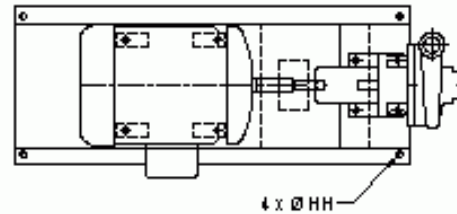
| Seal & Packing Construction | |
|-----------------------------|--|
| Sealing Method | : Single Seal, Type 21S |
| Seal Material | : Buna Carbon Ceramic SS-Spring and Hardware |
| Packing Gland | : - |
| Lantern Ring | : - |
| Recirculation Lines | : None |

| Weights (Approx.) | |
|---------------------------------|------------|
| Pump | : 90.00 lb |
| Baseplate | : 80.00 lb |
| Driver | : 258.0 lb |
| Estimated Shipping gross weight | : 428.0 lb |

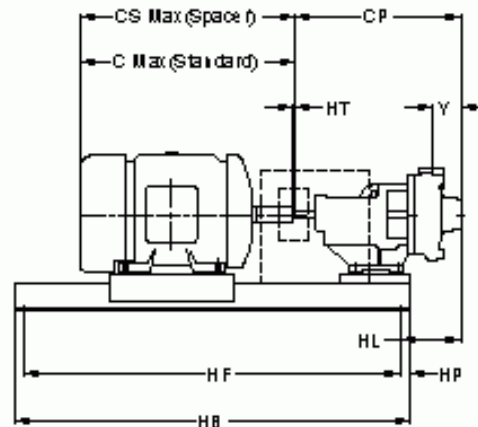
| | |
|-----------------|---------------------------------|
| Pump Shaft | : Stressproof Steel, AISI 1144 |
| Sleeve | : Bronze, III932, C89835 |
| Line Shaft | : - |
| Column | : - |
| Discharge Pipe | : - |
| Discharge Elbow | : - |
| Suction Elbow | : - |
| Subplate | : - |
| Hardware | : Steel, Grade 5 |
| O Rings | : Buna N |
| Pump Coatings | : Standard Manufacturer's Paint |

General Arrangement

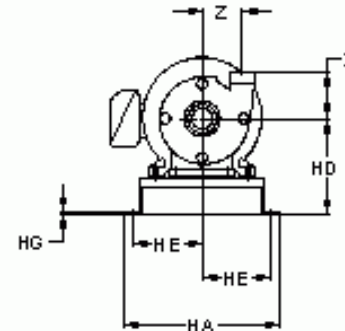
| | | | |
|---------------------|-----------------------|----------------------------|---------------------|
| Project name | : Default | Tag Number | : 001 |
| Consulting engineer | : | Service | : |
| Customer | : PFC EQUIPMENT INC | Model | : 15705 LF |
| Customer ref. / PO | : | Quantity of pumps | : 1 |
| Quote Number / ID | : 1075123 | Quoted By (Sales Office) | : PFC EQUIPMENT INC |
| Date last saved | : 02/24/2020 11:55 AM | Quoted By (Sales Engineer) | : Corey Nath |



PLAN VIEW



SIDE VIEW



END VIEW

NOT FOR CONSTRUCTION, Unless certified and referenced on order

| Units | Frame | Ped | Suct(in) | Disch(in) | C | CP | D | HA | HB | HD | HE | HF | HG | HH | HL | HP | HT | MU | N | Q | U | X | Y | Z | Weight ea |
|--------|-------|-----|----------|-----------|-------|-------|------|-------|-------|-------|------|-------|------|------|------|------|------|------|------|------|------|------|------|------|-----------|
| inches | 256T | 3P | 2 | 1.5 | 27.00 | 18.00 | 6.25 | 17.00 | 38.13 | 10.38 | 7.50 | 36.13 | 0.25 | 0.63 | 6.44 | 1.00 | 0.69 | 1.63 | 2.25 | 3.75 | 0.88 | 5.13 | 3.13 | 4.38 | 428.0 |

| Conditions of Service | | | | Motor Data | | | |
|-----------------------|--------------------|---------------|------------|------------------|---------------------|--|--|
| Flow: 225.2 USgpm | Fluid: Cold Water | HP: 20 | Encl: TEFC | Phase: 3 | Efficiency: Premium | | |
| TDH: 180.2 ft | Temp.: 68.00 deg F | RPM: 3530 rpm | Hz: 60 | Voltage: 230/460 | S.F.: 1.15 | | |