

PROJECT: _____	UNIT TAG: _____	QUANTITY: _____
REPRESENTATIVE: _____	TYPE OF SERVICE: _____	DATE: _____
ENGINEER: _____	SUBMITTED BY: _____	DATE: _____
CONTRACTOR: _____	APPROVED BY: _____	DATE: _____
	ORDER NO.: _____	DATE: _____

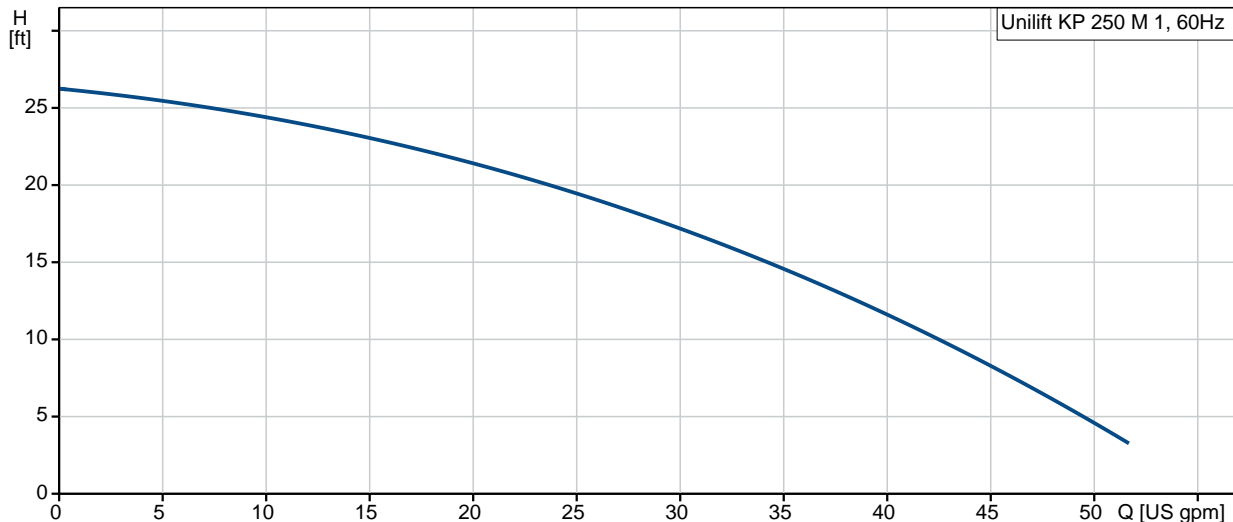


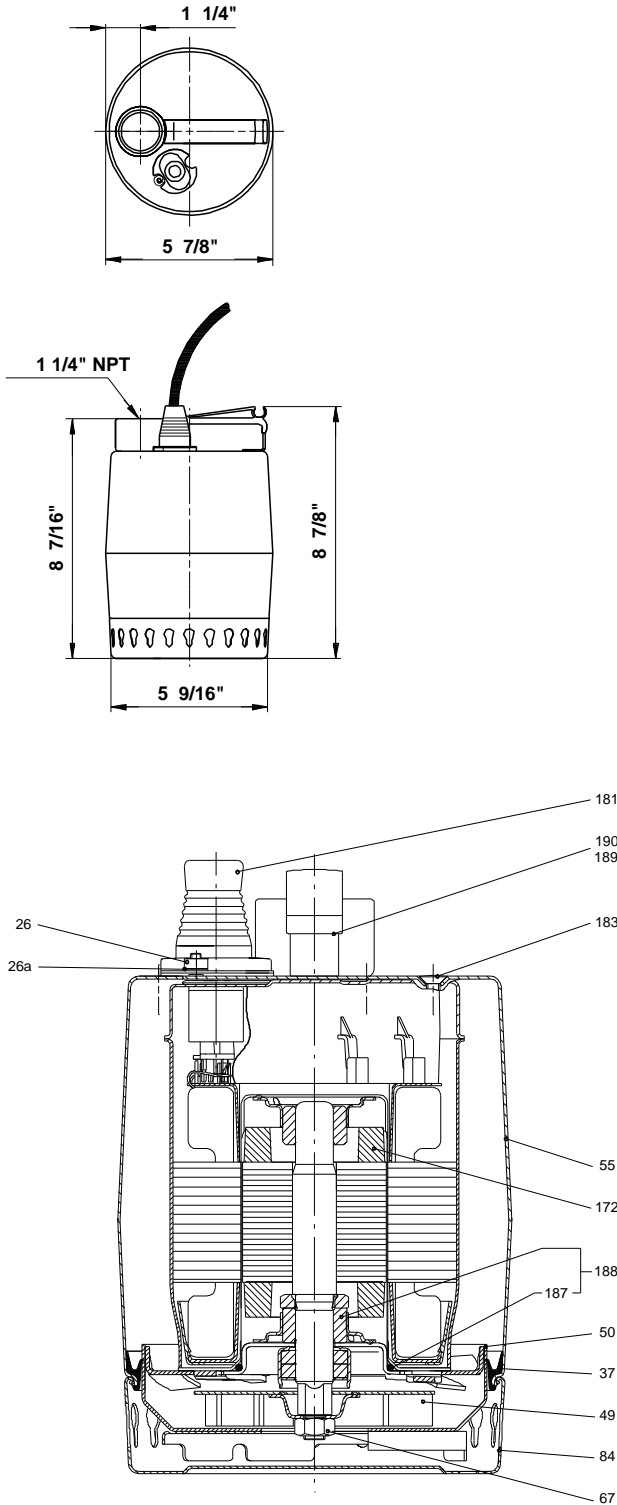
Unilift KP 250 M 1

Domestic drainage pumps in stainless steel for solids up to 0.39" (10 mm).

Product photo could vary from the actual product

Conditions of Service	Pump Data	Motor Data
Flow: _____	Liquid temperature range: 32 .. 122 °F	Rated voltage: 115 V
Head: _____	Approvals: UL Listed, CSA	Main frequency: 60 Hz
Efficiency: _____	Product number: 012DC201	Enclosure class: IP68
Liquid: any viscous fluid		Insulation class: F
Temperature: _____		Motor protection: CONTACT
NPSH required: ft		Thermal protection: internal
Viscosity: _____		
Specific Gravity: 1.000		





Materials:

- Pump housing: Stainless steel
DIN W.-Nr. 1.4301
AISI 304
- Impeller: Stainless steel
DIN W.-Nr. 1.4301
AISI 304

Count	Description																		
1	<p data-bbox="298 415 505 443">Unilift KP 250 M 1</p> <div data-bbox="412 478 565 823" data-label="Image"> </div> <p data-bbox="686 842 1138 867" style="text-align: center;">Product photo could vary from the actual product</p> <p data-bbox="298 875 607 932">Product No.: 012DC201 Submersible drainage pump</p> <p data-bbox="298 963 1349 1050">Vertical single-stage stainless steel submersible pump with vertical discharge port and integrated submersible 1-phase canned motor in insulation class F with thermal overload protection.</p> <p data-bbox="298 1081 1382 1108">The pump is fitted with a suction strainer, a carrying handle and is supplied with a 25 ft mains cable.</p> <p data-bbox="298 1140 1393 1192">The impeller is a semi-open impeller for 3/8" free passage suitable for pumping groundwater, surface water, rain water and similar liquids.</p> <p data-bbox="298 1224 1219 1251">The pump has a double shaft seal consisting of two lip seals with grease in-between.</p> <p data-bbox="298 1283 1377 1369">The pump has an outer casing ensuring continuous cooling of the motor by the pumped liquid. The rotor shaft operates in two maintenance-free carbon bearings cooled by the pumped liquid.</p> <p data-bbox="298 1400 813 1428">The motor is filled with a non-toxic motor liquid.</p> <p data-bbox="298 1459 383 1486">Liquid:</p> <table data-bbox="298 1493 841 1579"> <tr> <td>Pumped liquid:</td> <td>any viscous fluid</td> </tr> <tr> <td>Liquid temperature range:</td> <td>32 .. 122 °F</td> </tr> <tr> <td>Density:</td> <td>62.29 lb/ft³</td> </tr> </table> <p data-bbox="298 1610 423 1638">Technical:</p> <table data-bbox="298 1644 829 1730"> <tr> <td>Type of impeller:</td> <td>Semi-open</td> </tr> <tr> <td>Maximum particle size:</td> <td>3/8 in</td> </tr> <tr> <td>Approvals on nameplate:</td> <td>UL Listed, CSA</td> </tr> </table> <p data-bbox="298 1761 415 1789">Materials:</p> <table data-bbox="298 1795 862 1881"> <tr> <td>Pump housing:</td> <td>Stainless steel</td> </tr> <tr> <td></td> <td>DIN W.-Nr. 1.4301</td> </tr> <tr> <td></td> <td>AISI 304</td> </tr> </table>	Pumped liquid:	any viscous fluid	Liquid temperature range:	32 .. 122 °F	Density:	62.29 lb/ft ³	Type of impeller:	Semi-open	Maximum particle size:	3/8 in	Approvals on nameplate:	UL Listed, CSA	Pump housing:	Stainless steel		DIN W.-Nr. 1.4301		AISI 304
Pumped liquid:	any viscous fluid																		
Liquid temperature range:	32 .. 122 °F																		
Density:	62.29 lb/ft ³																		
Type of impeller:	Semi-open																		
Maximum particle size:	3/8 in																		
Approvals on nameplate:	UL Listed, CSA																		
Pump housing:	Stainless steel																		
	DIN W.-Nr. 1.4301																		
	AISI 304																		



Company name:

Created by:

Phone:

Date:

3/23/2020

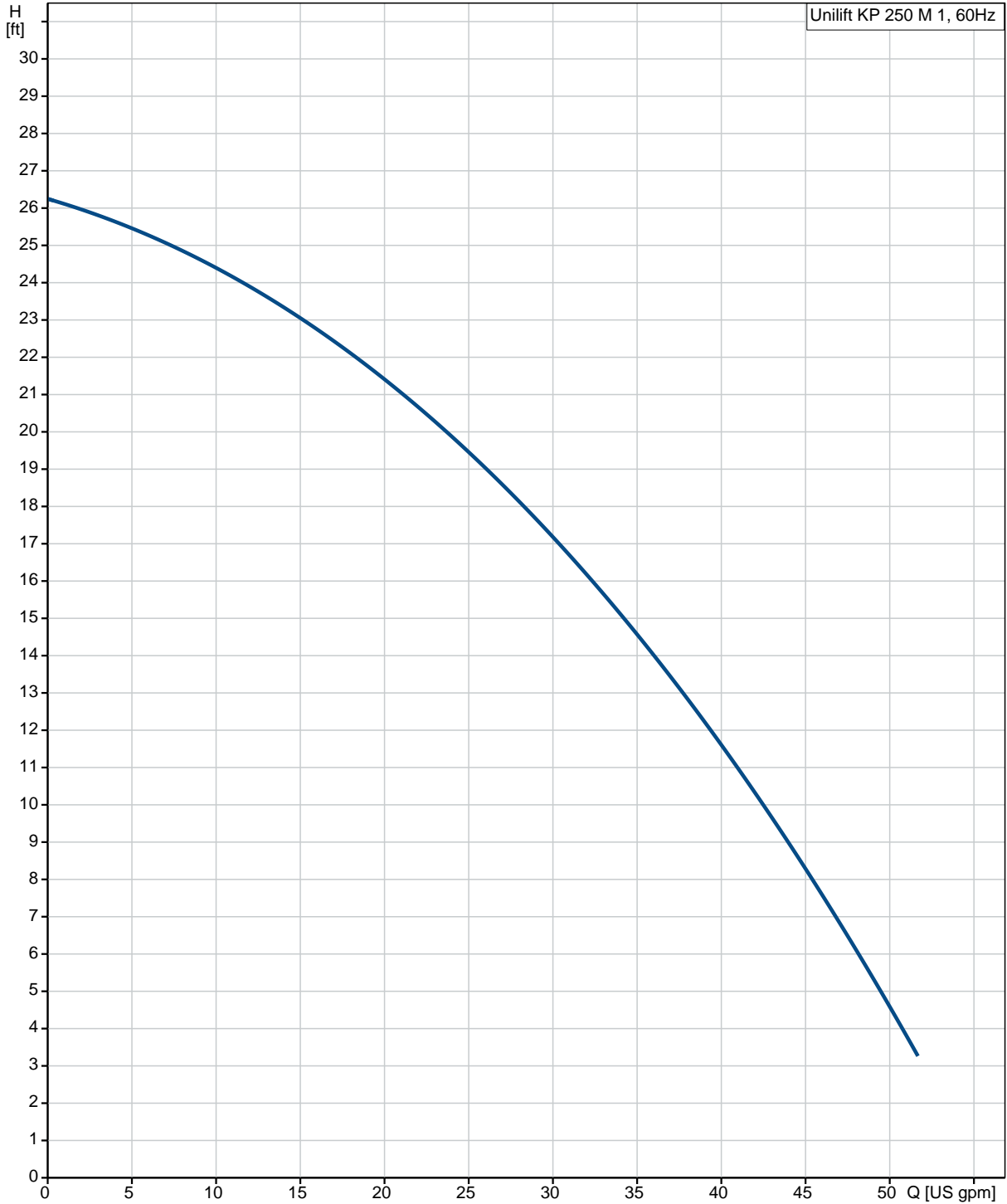
Count	Description
	Impeller: Stainless steel DIN W.-Nr. 1.4301 AISI 304
	Installation:
	Pump outlet: 1 1/4" NPT
	Maximum installation depth: 24.9 ft
	Electrical data:
	Power input - P1: 480 W
	Main frequency: 60 Hz
	Rated voltage: 1 x 115 V
	Rated current: 4.9 A
	Starting current: 14.5 A
	Capacitor size - run: 20 µF/250 V
	Enclosure class (IEC 34-5): IP68
	Insulation class (IEC 85): F
	Length of cable: 25 ft
	Type of cable plug: US
	Others:
	Shipping volume: 0.44 ft ³
	Country of origin: HU
	Custom tariff no.: 8413.70.2004



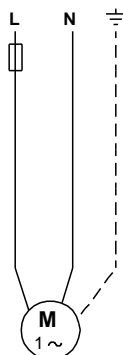
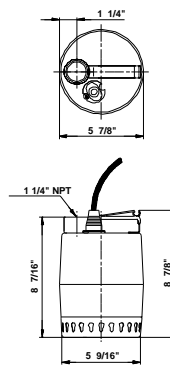
Company name:
Created by:
Phone:

Date: 3/23/2020

012DC201 Unilift KP 250 M 1 60 Hz



Description	Value
General information:	
Product name:	Unilift KP 250 M 1
Product No.:	012DC201
EAN:	5700391116278
	5700391116278
Technical:	
Max flow:	50.6 US gpm
Head max:	26.25 ft
Type of impeller:	Semi-open
Maximum particle size:	3/8 in
Approvals on nameplate:	UL Listed, CSA
Materials:	
Pump housing:	Stainless steel DIN W.-Nr. 1.4301 AISI 304
Impeller:	Stainless steel DIN W.-Nr. 1.4301 AISI 304
Installation:	
Pump outlet:	1 1/4" NPT
Maximum installation depth:	24.9 ft
Inst dry/wet:	D/S
Installation:	horizontal or vertical
Liquid:	
Pumped liquid:	any viscous fluid
Liquid temperature range:	32 .. 122 °F
Density:	62.29 lb/ft ³
Electrical data:	
Power input - P1:	480 W
Main frequency:	60 Hz
Rated voltage:	1 x 115 V
Rated current:	4.9 A
Starting current:	14.5 A
Capacitor size - run:	20 µF/250 V
Enclosure class (IEC 34-5):	IP68
Insulation class (IEC 85):	F
Motor protection:	CONTACT
Thermal protec:	internal
Length of cable:	25 ft
Type of cable plug:	US
Others:	
Shipping volume:	0.44 ft ³
Sales region:	Namreg
Country of origin:	HU
Custom tariff no.:	8413.70.2004

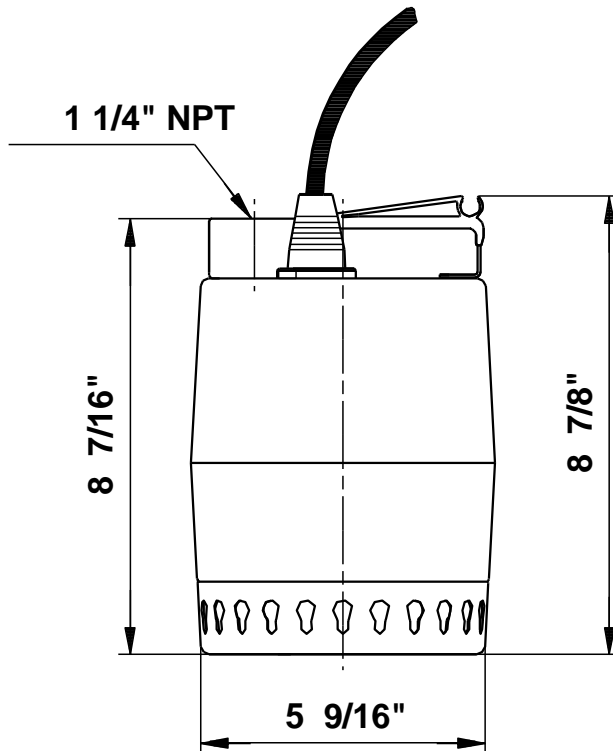
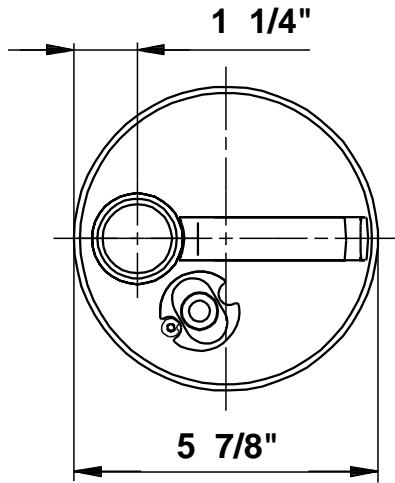




Company name:
Created by:
Phone:

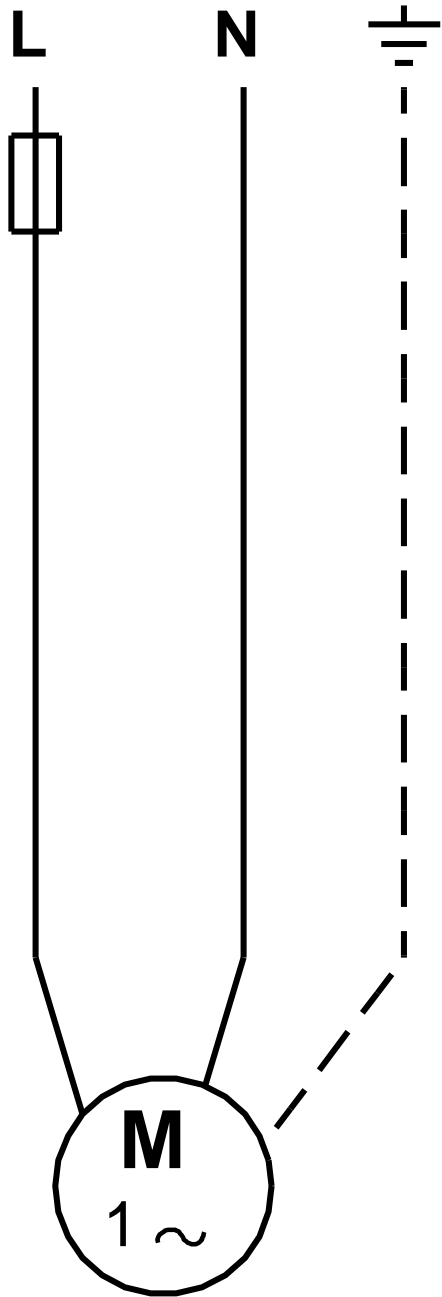
Date: 3/23/2020

012DC201 Unilift KP 250 M 1 60 Hz



Note! All units are in [in] unless otherwise stated.
Disclaimer: This simplified dimensional drawing does not show all details.

012DC201 Unilift KP 250 M 1 60 Hz



All units are [in] unless otherwise presented.