

PROJECT: _____	UNIT TAG: _____	QUANTITY: _____
REPRESENTATIVE: _____	TYPE OF SERVICE: _____	DATE: _____
ENGINEER: _____	SUBMITTED BY: _____	DATE: _____
CONTRACTOR: _____	APPROVED BY: _____	DATE: _____
	ORDER NO.: _____	DATE: _____

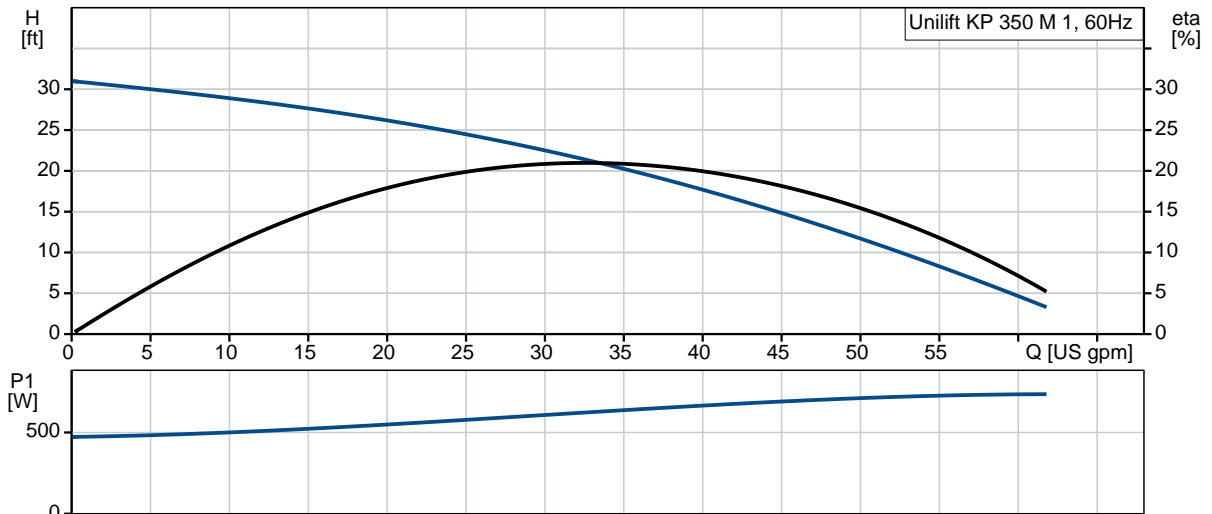


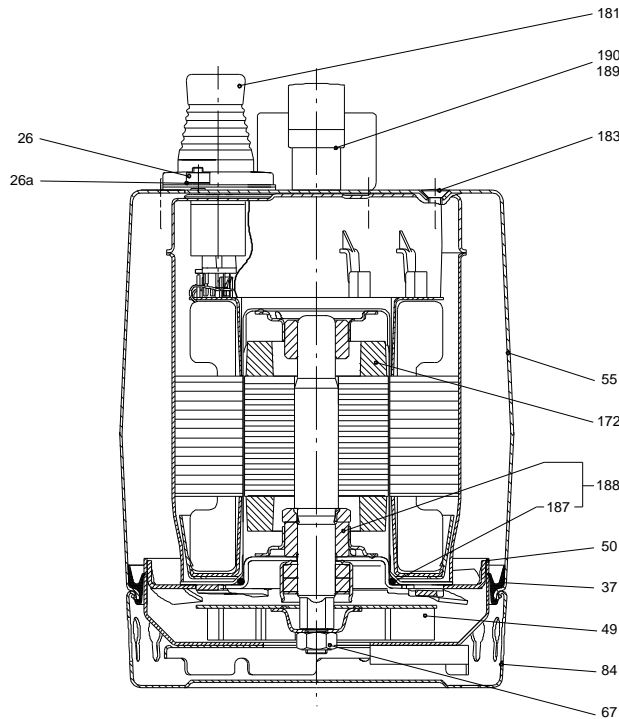
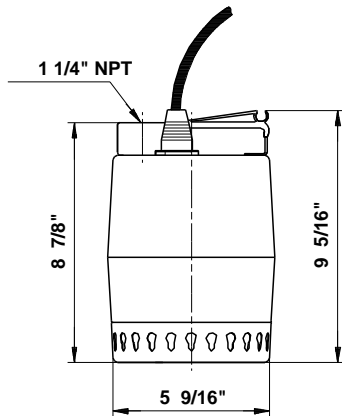
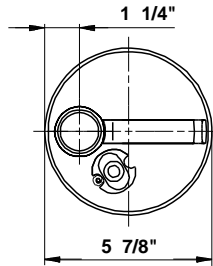
### Unilift KP 350 M 1

Domestic drainage pumps in stainless steel for solids up to 0.39" (10 mm).

Product photo could vary from the actual product

Conditions of Service	Pump Data	Motor Data
Flow: _____	Liquid temperature range: 32 .. 113 °F	Rated voltage: 115 V
Head: _____	Approvals: UL Listed, CSA	Main frequency: 60 Hz
Efficiency: _____	Product number: 013DC001	Enclosure class: IP68
Liquid: any viscous fluid		Insulation class: F
Temperature: _____		Motor protection: CONTACT
NPSH required: ft		Thermal protection: internal
Viscosity: _____		
Specific Gravity: 1.000		






**Materials:**

Pump housing: Stainless steel  
DIN W.-Nr. 1.4301

Impeller: Stainless steel  
DIN W.-Nr. 1.4301  
AISI 304

Count	Description																		
1	<p data-bbox="298 415 505 443"><b>Unilift KP 350 M 1</b></p> <div data-bbox="412 478 565 823" style="text-align: center;">  </div> <p data-bbox="686 842 1138 867" style="text-align: center;">Product photo could vary from the actual product</p> <p data-bbox="298 875 607 932">Product No.: <a href="#">013DC001</a> Submersible drainage pump</p> <p data-bbox="298 963 1349 1050">Vertical single-stage stainless steel submersible pump with vertical discharge port and integrated submersible 1-phase canned motor in insulation class F with thermal overload protection.</p> <p data-bbox="298 1081 1401 1108">The pump is fitted with a suction strainer, a carrying handle and is supplied with a 9.84 ft mains cable.</p> <p data-bbox="298 1140 1393 1192">The impeller is a semi-open impeller for 3/8" free passage suitable for pumping groundwater, surface water, rain water and similar liquids.</p> <p data-bbox="298 1224 1219 1251">The pump has a double shaft seal consisting of two lip seals with grease in-between.</p> <p data-bbox="298 1283 1377 1369">The pump has an outer casing ensuring continuous cooling of the motor by the pumped liquid. The rotor shaft operates in two maintenance-free carbon bearings cooled by the pumped liquid.</p> <p data-bbox="298 1400 812 1428">The motor is filled with a non-toxic motor liquid.</p> <p data-bbox="298 1459 383 1486"><b>Liquid:</b></p> <table data-bbox="298 1493 841 1579"> <tr> <td>Pumped liquid:</td> <td>any viscous fluid</td> </tr> <tr> <td>Liquid temperature range:</td> <td>32 .. 113 °F</td> </tr> <tr> <td>Density:</td> <td>62.29 lb/ft<sup>3</sup></td> </tr> </table> <p data-bbox="298 1610 422 1638"><b>Technical:</b></p> <table data-bbox="298 1644 829 1730"> <tr> <td>Type of impeller:</td> <td>Semi-open</td> </tr> <tr> <td>Maximum particle size:</td> <td>3/8 in</td> </tr> <tr> <td>Approvals on nameplate:</td> <td>UL Listed, CSA</td> </tr> </table> <p data-bbox="298 1761 415 1789"><b>Materials:</b></p> <table data-bbox="298 1795 862 1881"> <tr> <td>Pump housing:</td> <td>Stainless steel</td> </tr> <tr> <td></td> <td>DIN W.-Nr. 1.4301</td> </tr> <tr> <td></td> <td>AISI 304</td> </tr> </table>	Pumped liquid:	any viscous fluid	Liquid temperature range:	32 .. 113 °F	Density:	62.29 lb/ft <sup>3</sup>	Type of impeller:	Semi-open	Maximum particle size:	3/8 in	Approvals on nameplate:	UL Listed, CSA	Pump housing:	Stainless steel		DIN W.-Nr. 1.4301		AISI 304
Pumped liquid:	any viscous fluid																		
Liquid temperature range:	32 .. 113 °F																		
Density:	62.29 lb/ft <sup>3</sup>																		
Type of impeller:	Semi-open																		
Maximum particle size:	3/8 in																		
Approvals on nameplate:	UL Listed, CSA																		
Pump housing:	Stainless steel																		
	DIN W.-Nr. 1.4301																		
	AISI 304																		



Company name:

Created by:

Phone:

Date:

3/23/2020

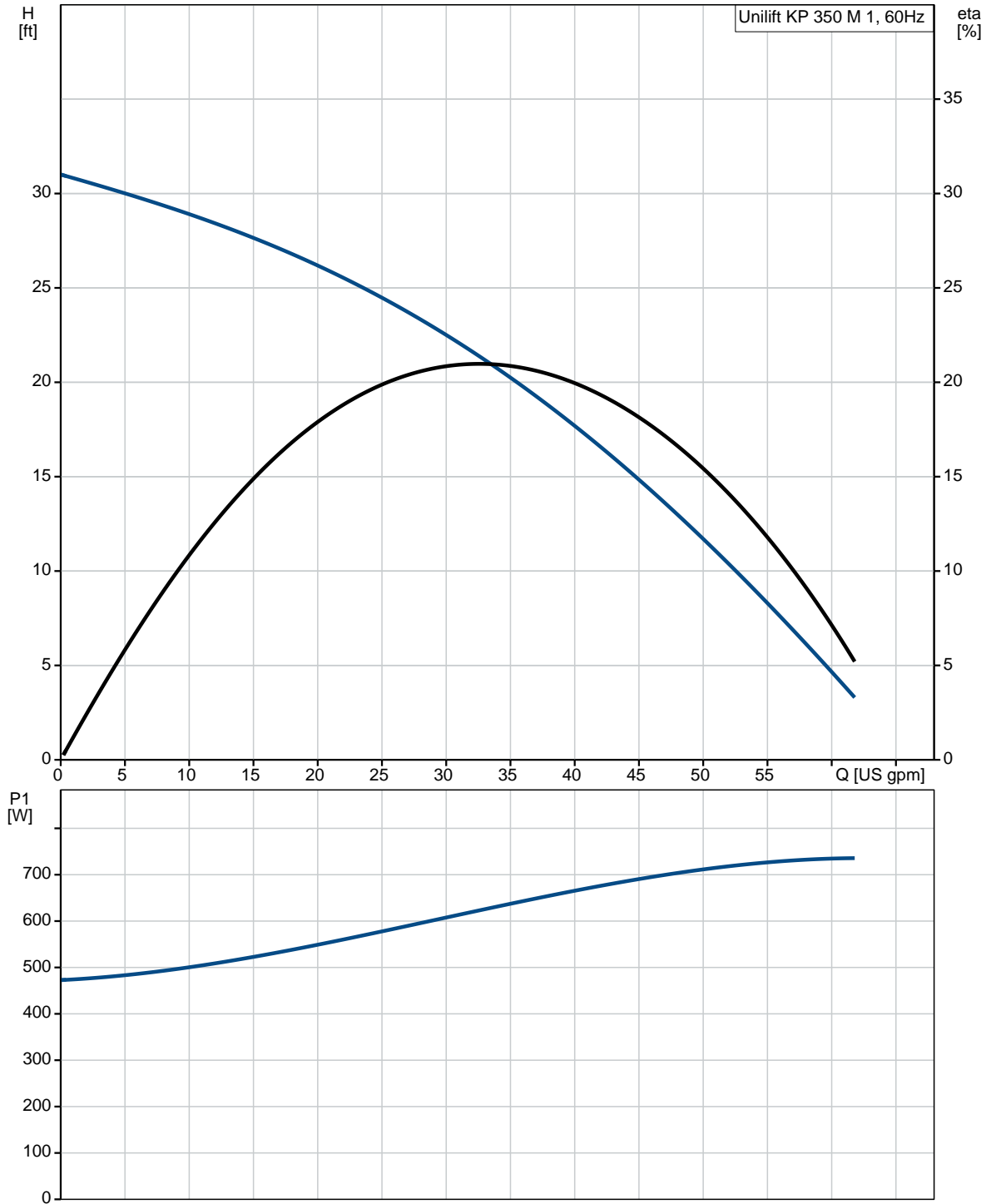
Count	Description
	Impeller: Stainless steel DIN W.-Nr. 1.4301 AISI 304
	<b>Installation:</b>
	Pump outlet: 1 1/4" NPT
	Maximum installation depth: 9.84 ft
	<b>Electrical data:</b>
	Power input - P1: 850 W
	Main frequency: 60 Hz
	Rated voltage: 1 x 115 V
	Rated current: 7.5 A
	Starting current: 21.4 A
	Capacitor size - run: 20 µF/250 V
	Enclosure class (IEC 34-5): IP68
	Insulation class (IEC 85): F
	Length of cable: 9.84 ft
	Type of cable plug: US
	<b>Others:</b>
	Shipping volume: 0.44 ft <sup>3</sup>
	Country of origin: HU
	Custom tariff no.: 8413.70.2004



Company name:  
Created by:  
Phone:

Date: 3/23/2020

### 013DC001 Unilift KP 350 M 1 60 Hz

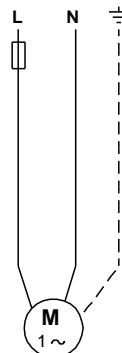
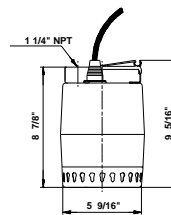
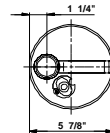
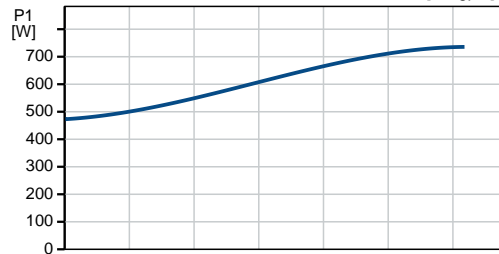
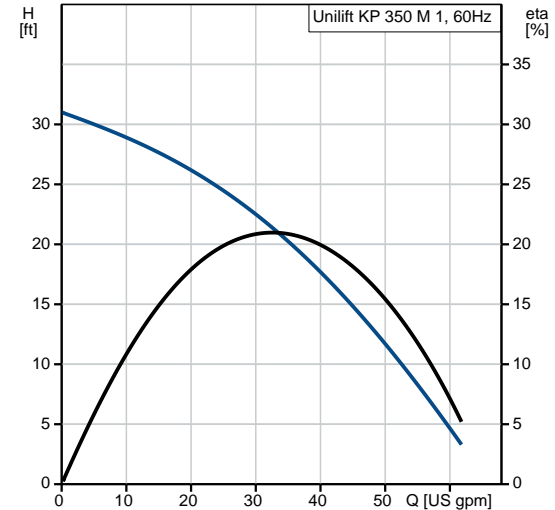




Company name:  
Created by:  
Phone:

Date: 3/23/2020

Description	Value
<b>General information:</b>	
Product name:	Unilift KP 350 M 1
Product No.:	013DC001
EAN:	5700392956040
	5700392956040
<b>Technical:</b>	
Max flow:	61.6 US gpm
Head max:	31.17 ft
Type of impeller:	Semi-open
Maximum particle size:	3/8 in
Approvals on nameplate:	UL Listed, CSA
<b>Materials:</b>	
Pump housing:	Stainless steel DIN W.-Nr. 1.4301 AISI 304
Impeller:	Stainless steel DIN W.-Nr. 1.4301 AISI 304
<b>Installation:</b>	
Pump outlet:	1 1/4" NPT
Maximum installation depth:	9.84 ft
Inst dry/wet:	D/S
Installation:	horizontal or vertical
<b>Liquid:</b>	
Pumped liquid:	any viscous fluid
Liquid temperature range:	32 .. 113 °F
Density:	62.29 lb/ft <sup>3</sup>
<b>Electrical data:</b>	
Power input - P1:	850 W
Main frequency:	60 Hz
Rated voltage:	1 x 115 V
Rated current:	7.5 A
Starting current:	21.4 A
Capacitor size - run:	20 µF/250 V
Enclosure class (IEC 34-5):	IP68
Insulation class (IEC 85):	F
Motor protection:	CONTACT
Thermal protec:	internal
Length of cable:	9.84 ft
Type of cable plug:	US
<b>Others:</b>	
Shipping volume:	0.44 ft <sup>3</sup>
Sales region:	Namreg
Country of origin:	HU
Custom tariff no.:	8413.70.2004

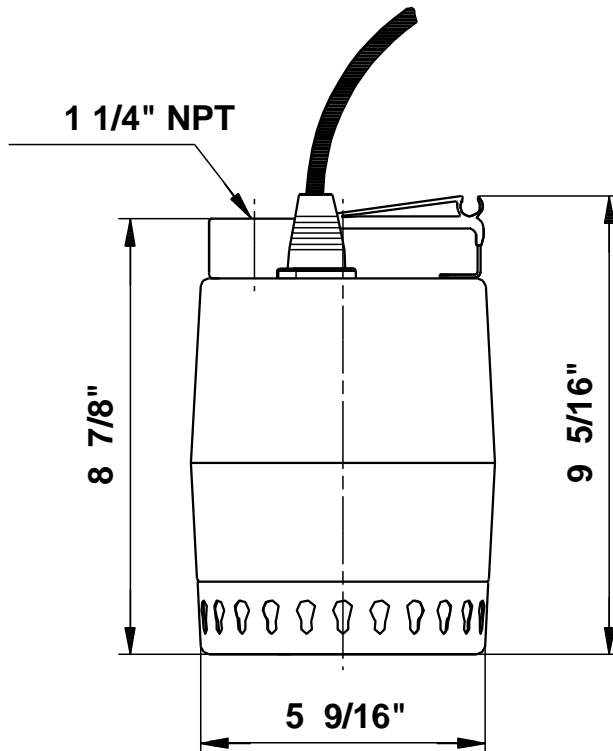
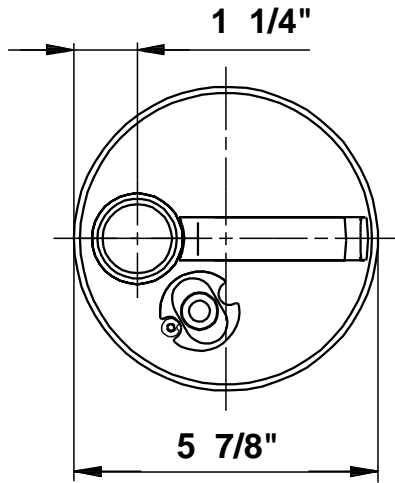




Company name:  
Created by:  
Phone:

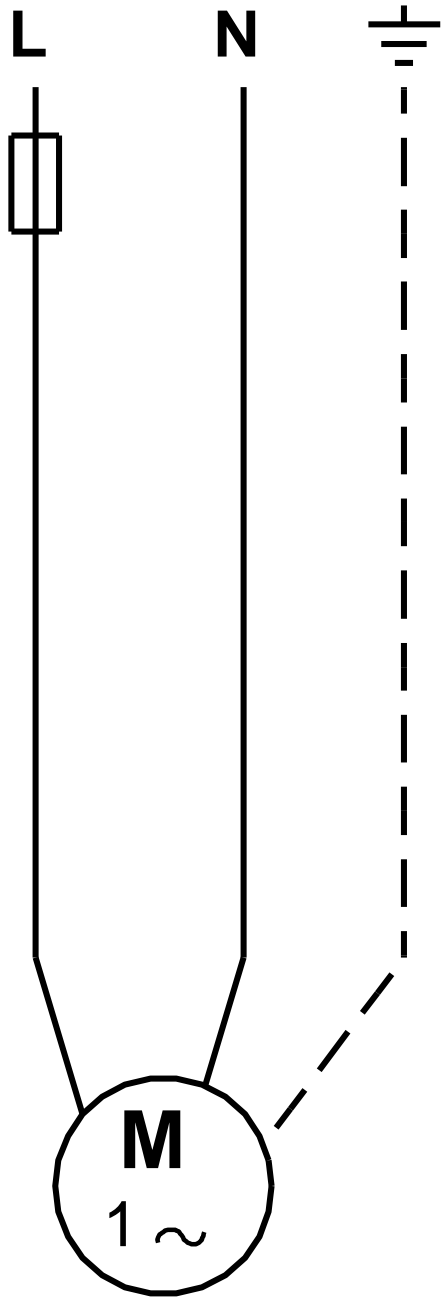
Date: 3/23/2020

### 013DC001 Unilift KP 350 M 1 60 Hz



Note! All units are in [in] unless otherwise stated.  
Disclaimer: This simplified dimensional drawing does not show all details.

**013DC001 Unilift KP 350 M 1 60 Hz**



All units are [in] unless otherwise presented.