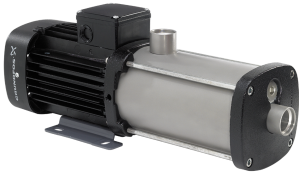


PROJECT: _____	UNIT TAG: _____	QUANTITY: _____
REPRESENTATIVE: _____	TYPE OF SERVICE: _____	DATE: _____
ENGINEER: _____	SUBMITTED BY: _____	DATE: _____
CONTRACTOR: _____	APPROVED BY: _____	DATE: _____
	ORDER NO.: _____	DATE: _____

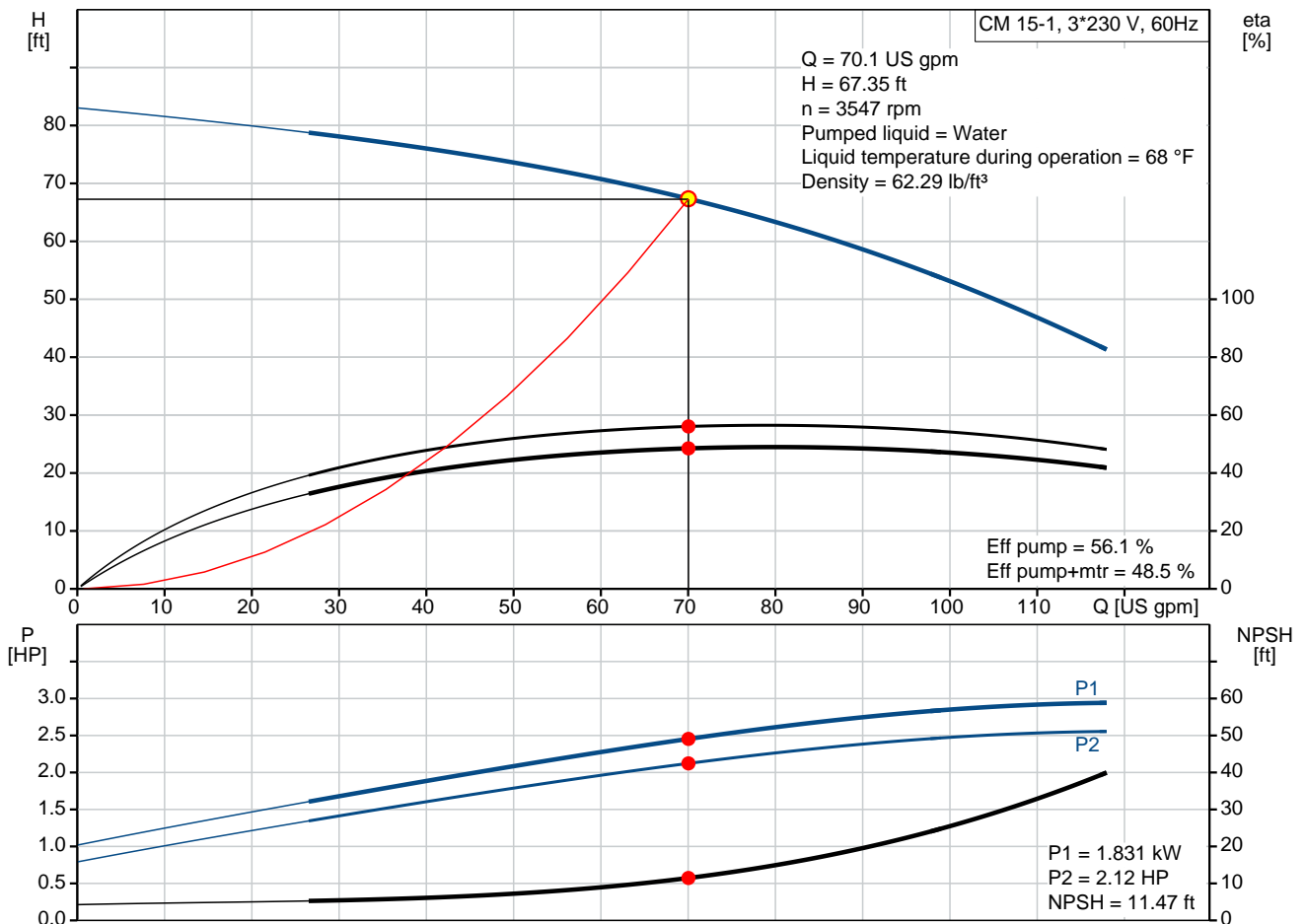
### CM 15-1 A-S-I-E-AQQE E-A-A-N

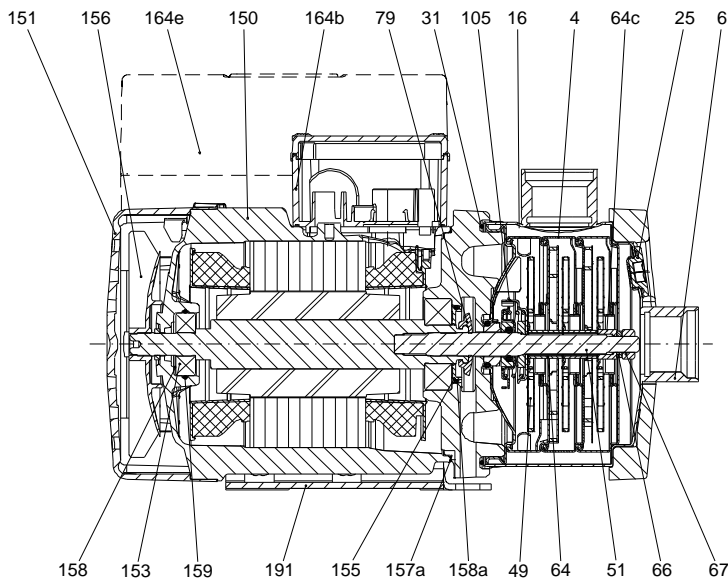
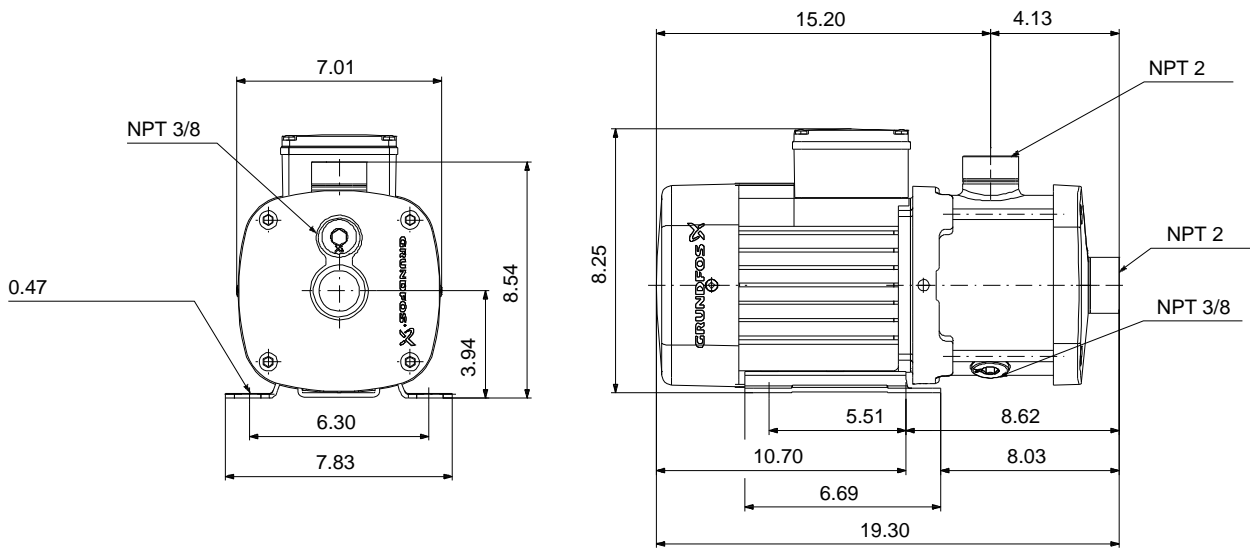


CM are reliable, quiet and compact horizontal end-suction pumps. The modular pump design makes it easy to make customised solutions. The CM pumps are available in cast iron and stainless steel

Product photo could vary from the actual product

Conditions of Service		Pump Data		Motor Data	
Flow:	70.1 US gpm	Max pressure at stated temperature:	232 psi / 194 °F	Main frequency:	60 Hz
Head:	67.35 ft	Liquid temperature range:	-4 .. 248 °F	Enclosure class:	IP55
Efficiency:	48.5 %	Maximum ambient temperature:	131 °F		
Liquid:	Water	Shaft seal:	AQQE		
Temperature:	68 °F	Product number:	96946022		
NPSH required:	11.47 ft				
Viscosity:	_____				
Specific Gravity:	1.000				





**Materials:**

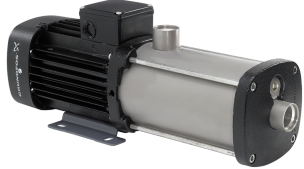
Pump housing: Stainless steel  
AISI 304

Impeller: Stainless steel  
AISI 304  
EN 1.4301

Material code: I

Code for rubber: E

165x100

Count	Description
1	<p data-bbox="225 338 596 367"><b>CM 15-1 A-S-I-E-AQQE E-A-A-N</b></p> <div data-bbox="256 439 560 607">  </div> <p data-bbox="619 629 1070 656">Product photo could vary from the actual product</p> <p data-bbox="225 663 491 689">Product No.: <a href="#">96946022</a></p> <p data-bbox="225 719 1422 797">Compact, reliable, horizontal, multistage, end-suction centrifugal pump with axial suction port and radial discharge port. Pump materials in contact with the liquid are in stainless steel. The mechanical shaft seal is a special designed, unbalanced O-ring seal. Pipework connection is via internal NPT pipe threads.</p> <p data-bbox="225 804 1118 831">The pump is fitted with a 3-phase, foot-mounted, fan-cooled asynchronous motor.</p> <p data-bbox="225 864 336 891"><b>Controls:</b></p> <p data-bbox="225 898 660 925">Frequency converter: NONE</p> <p data-bbox="225 954 312 981"><b>Liquid:</b></p> <p data-bbox="225 987 660 1014">Pumped liquid: Water</p> <p data-bbox="225 1021 715 1048">Liquid temperature range: -4 .. 248 °F</p> <p data-bbox="225 1055 651 1081">Selected liquid temperature: 68 °F</p> <p data-bbox="225 1088 708 1115">Density: 62.29 lb/ft<sup>3</sup></p> <p data-bbox="225 1144 352 1171"><b>Technical:</b></p> <p data-bbox="225 1178 847 1205">Pump speed on which pump data are based: 3480 rpm</p> <p data-bbox="225 1211 735 1238">Actual calculated flow: 70.1 US gpm</p> <p data-bbox="225 1245 735 1272">Rated flow: 89.8 US gpm</p> <p data-bbox="225 1279 676 1305">Resulting head of the pump: 67.35 ft</p> <p data-bbox="225 1312 676 1339">Rated head: 56.04 ft</p> <p data-bbox="225 1346 660 1373">Code for shaft seal: AQQE</p> <p data-bbox="225 1379 788 1406">Curve tolerance: ISO9906:2012 3B</p> <p data-bbox="225 1435 344 1462"><b>Materials:</b></p> <p data-bbox="225 1469 751 1525">Pump housing: Stainless steel EN 1.4301 AISI 304</p> <p data-bbox="225 1532 751 1610">Impeller: Stainless steel EN 1.4301 AISI 304</p> <p data-bbox="225 1639 368 1666"><b>Installation:</b></p> <p data-bbox="225 1673 715 1700">Range of ambient temperature: -4 .. 131 °F</p> <p data-bbox="225 1706 703 1733">Maximum operating pressure: 232.06 psi</p> <p data-bbox="225 1740 831 1796">Max pressure at stated temperature: 232 psi / 194 °F 145 psi / 250 °F</p> <p data-bbox="225 1803 671 1830">Type of connection: NPT(F)</p> <p data-bbox="225 1836 660 1863">Size of suction port: 2 inch</p> <p data-bbox="225 1870 660 1897">Size of outlet port: 2 inch</p> <p data-bbox="225 1904 619 1930">Outlet position: 12</p> <p data-bbox="225 1960 405 1986"><b>Electrical data:</b></p> <p data-bbox="225 1993 660 2020">Motor standard: NEMA</p> <p data-bbox="225 2027 635 2054">Frame size: 90B</p> <p data-bbox="225 2060 687 2087">IE efficiency class: IE2 - IE3</p> <p data-bbox="225 2094 683 2121">Rated power - P2: 3.35 HP</p>



Company name:

Created by:

Phone:

Date:

3/31/2020

Count	Description
	Main frequency: 60 Hz
	Suitable for 50/60 Hz: N
	Phase: 3
	Rated voltage: 208-230YY/440-480Y V
	Service factor: 1.00
	Rated current: 8,95-8,5/4,3-4 A
	Rated speed: 3490-3520 rpm
	Enclosure class (IEC 34-5): IP55
	Insulation class (IEC 85): F
	Built-in motor protection: NONE
	<b>Others:</b>
	Terminal box position: 12
	Minimum efficiency index, MEI $\eta_{\%}$ : 0.59
	Net weight: 70.1 lb
	Gross weight: 75.6 lb
	Approvals: CE,CULUS,WRAS,ACS,TR,EAC
	Country of origin: US
	Custom tariff no.: 8413.70.2040



Company name:

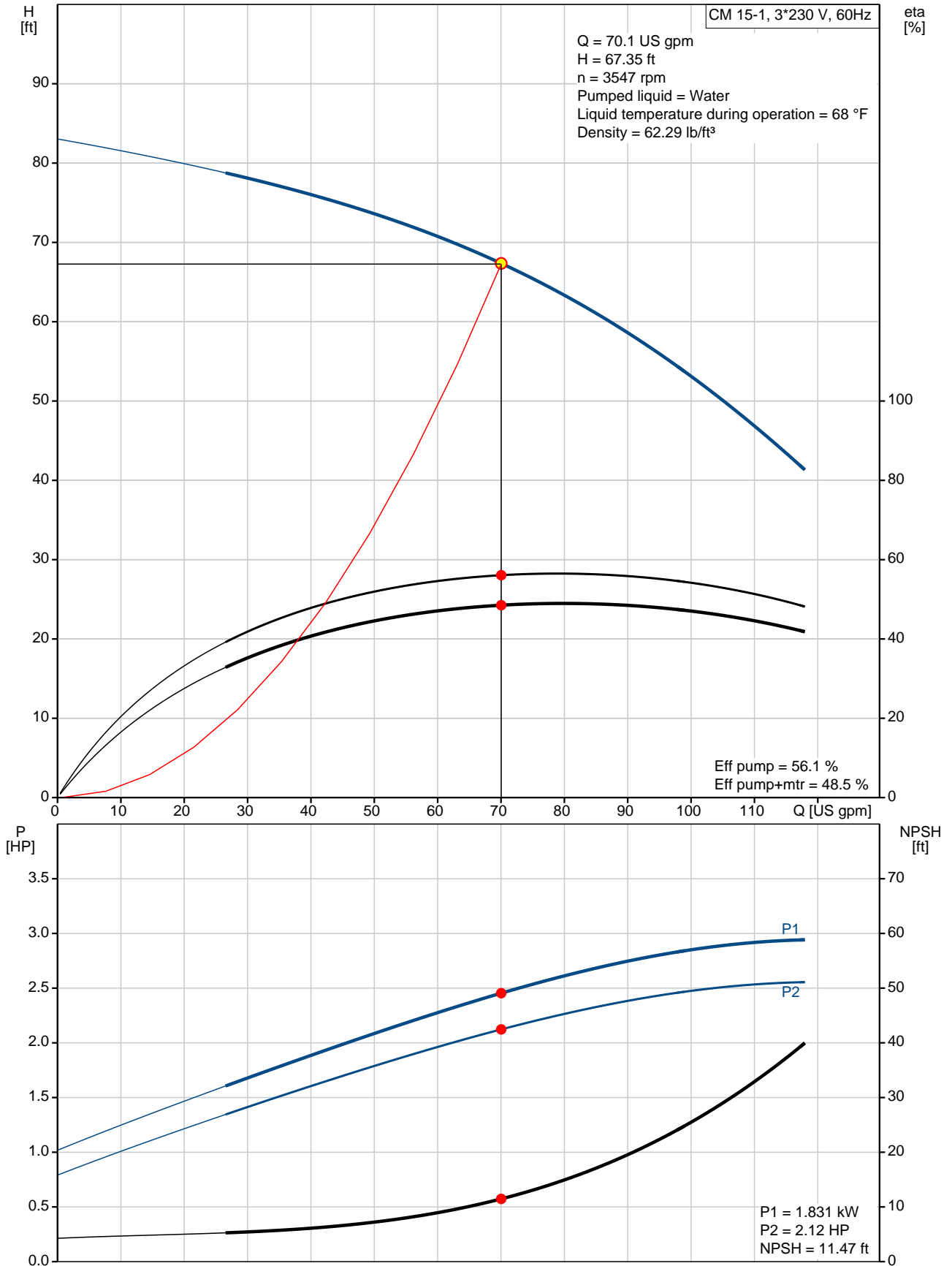
Created by:

Phone:

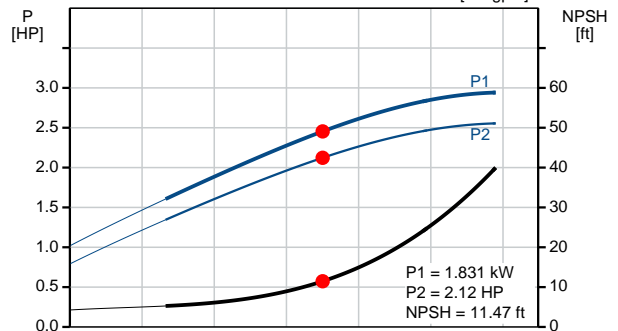
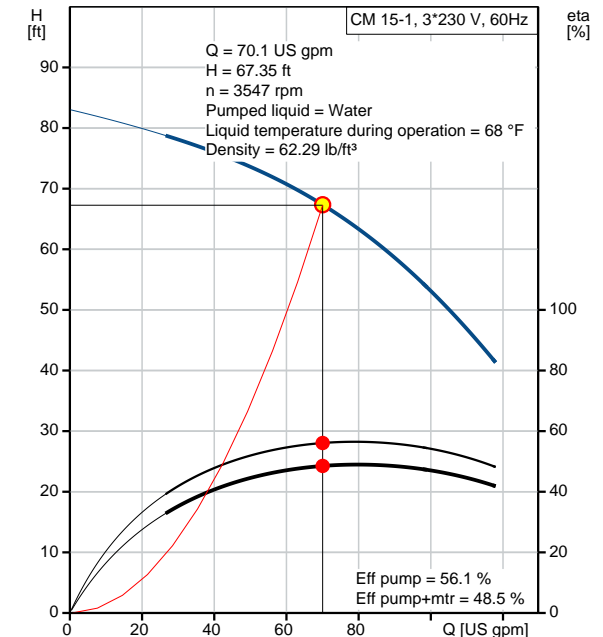
Date:

3/31/2020

### 96946022 CM 15-1 A-S-I-E-AQQE E-A-A-N 60 Hz



Description	Value
<b>General information:</b>	
Product name:	CM 15-1 A-S-I-E-AQQE E-A-A-N
Product No.:	96946022
EAN:	5700314388850 5700314388850
<b>Technical:</b>	
Pump speed on which pump data are based:	3480 rpm
Actual calculated flow:	70.1 US gpm
Rated flow:	89.8 US gpm
Resulting head of the pump:	67.35 ft
Rated head:	56.04 ft
Impellers:	1
Code for shaft seal:	AQQE
Curve tolerance:	ISO9906:2012 3B
Pump version:	A
Model:	A
<b>Materials:</b>	
Pump housing:	Stainless steel EN 1.4301 AISI 304
Impeller:	Stainless steel EN 1.4301 AISI 304
Material code:	I
Code for rubber:	E
<b>Installation:</b>	
Range of ambient temperature:	-4 .. 131 °F
Maximum operating pressure:	232.06 psi
Max pressure at stated temperature:	232 psi / 194 °F 145 psi / 250 °F
Type of connection:	NPT(F)
Size of suction port:	2 inch
Size of outlet port:	2 inch
Outlet position:	12
Connect code:	S
<b>Liquid:</b>	
Pumped liquid:	Water
Liquid temperature range:	-4 .. 248 °F
Selected liquid temperature:	68 °F
Density:	62.29 lb/ft³
<b>Electrical data:</b>	
Motor standard:	NEMA
Frame size:	90B
IE efficiency class:	IE2 - IE3
Rated power - P2:	3.35 HP
Main frequency:	60 Hz
Suitable for 50/60 Hz:	N
Phase:	3
Rated voltage:	208-230YY/440-480Y V
Service factor:	1.00
Rated current:	8,95-8,5/4,3-4 A
Rated speed:	3490-3520 rpm
Enclosure class (IEC 34-5):	IP55
Insulation class (IEC 85):	F
Built-in motor protection:	NONE
<b>Controls:</b>	
Frequency converter:	NONE





Company name:

Created by:

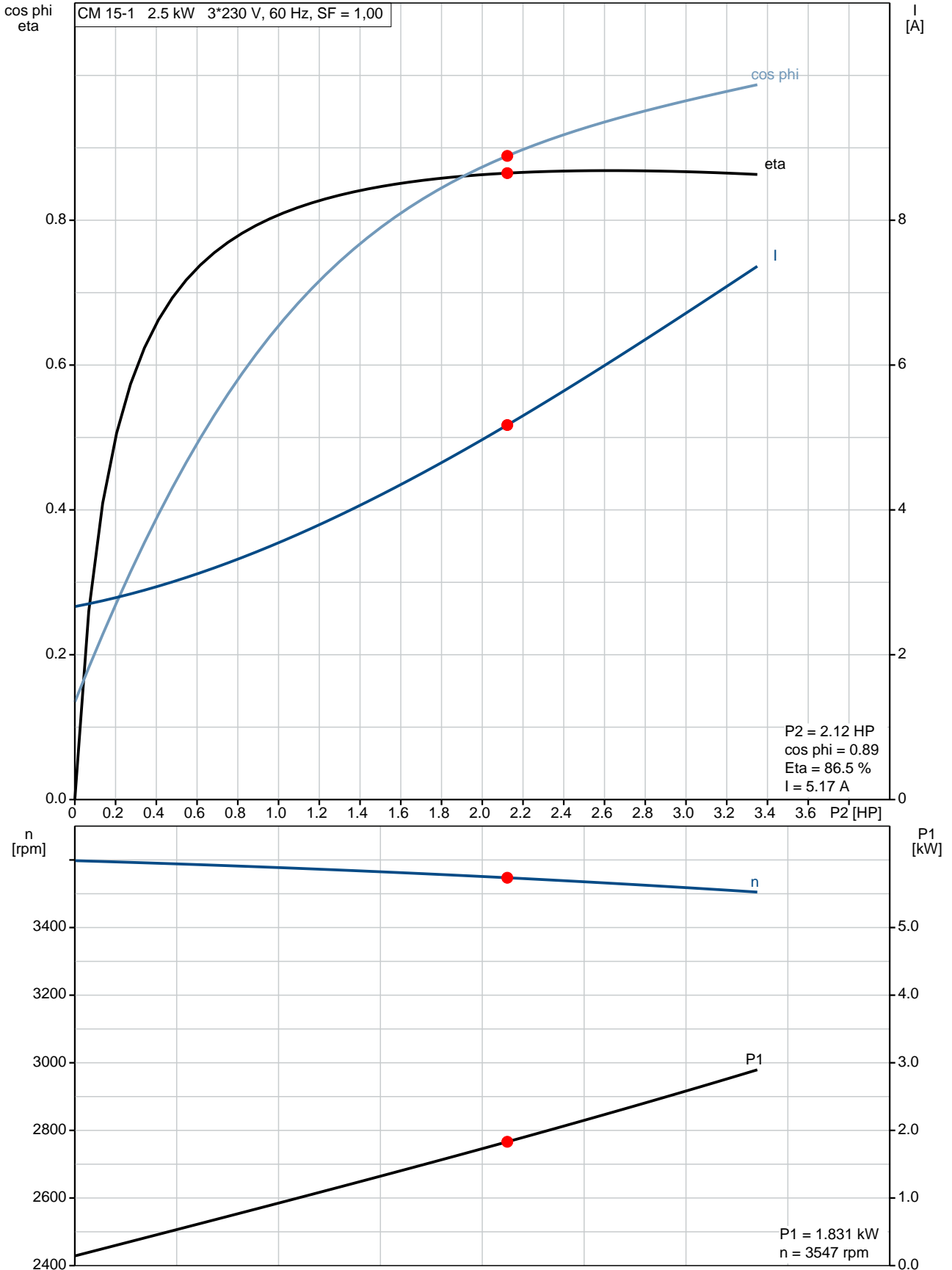
Phone:

Date:

3/31/2020

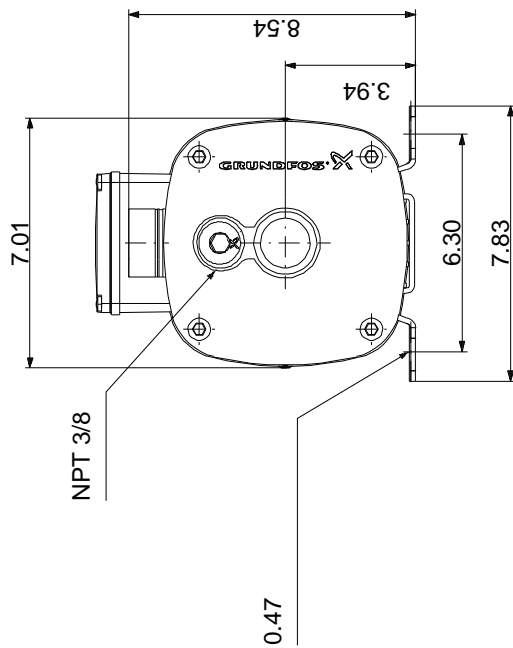
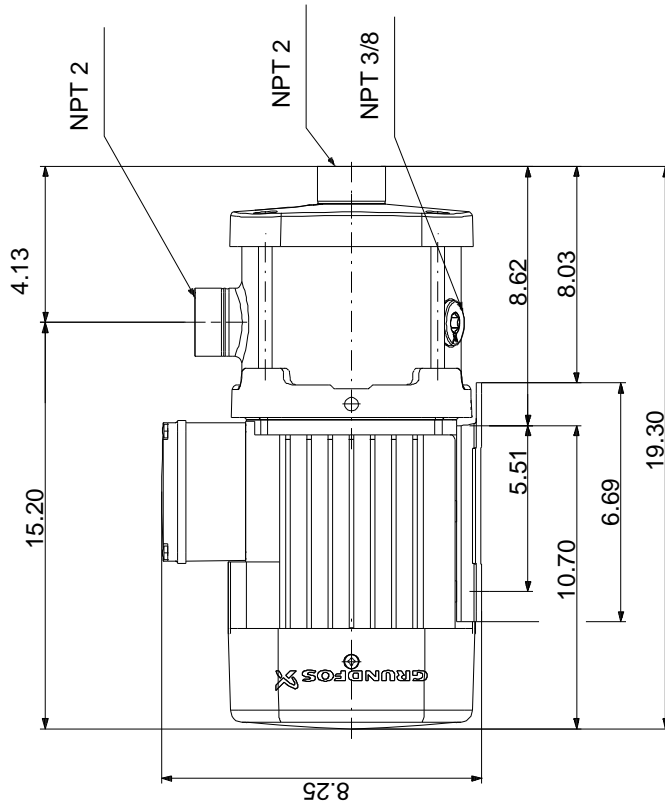
Description	Value
<b>Others:</b>	
Terminal box position:	12
Minimum efficiency index, MEI %:	0.59
Net weight:	70.1 lb
Gross weight:	75.6 lb
Approvals:	CE,CULUS,WRAS,ACS,TR ,EAC
Country of origin:	US
Custom tariff no.:	8413.70.2040

## 96946022 CM 15-1 A-S-I-E-AQQE E-A-A-N 60 Hz





## 96946022 CM 15-1 A-S-I-E-AQQE E-A-A-N 60 Hz



Note! All units are in [in] unless otherwise stated.  
 Disclaimer: This simplified dimensional drawing does not show all details.

## 96946022 CM 15-1 A-S-I-E-AQQE E-A-A-N 60 Hz



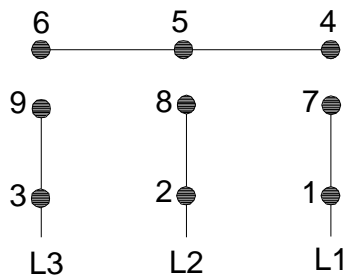
### WARNING

MOTOR MUST BE GROUNDED IN ACCORDANCE WITH THE NATIONAL ELECTRICAL CODE AND LOCAL CODES BY TRAINED PERSONNEL TO PREVENT SERIOUS ELECTRICAL SHOCKS.

TO SERVICE MOTOR, DISCONNECT POWER SOURCE FROM MOTOR AND ANY ACCESSORY DEVICES AND ALLOW MOTOR TO COME TO A COMPLETE STAND STILL.

#### LOW VOLTAGE

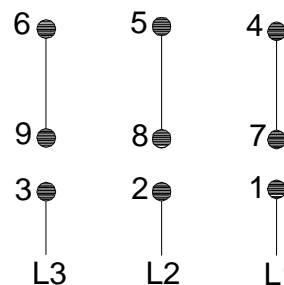
60Hz. 208-230V



#### HIGH VOLTAGE

60Hz: 460V

50Hz: 400V



96553852

INTERCHANGE ANY TWO LINE WIRES TO REVERSE ROTATION  
THERMOSTAT LEADS  
(WHEN PROVIDED)

