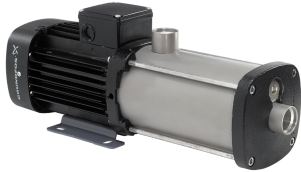


PROJECT: _____	UNIT TAG: _____	QUANTITY: _____
REPRESENTATIVE: _____	TYPE OF SERVICE: _____	DATE: _____
ENGINEER: _____	SUBMITTED BY: _____	DATE: _____
CONTRACTOR: _____	APPROVED BY: _____	DATE: _____
	ORDER NO.: _____	DATE: _____

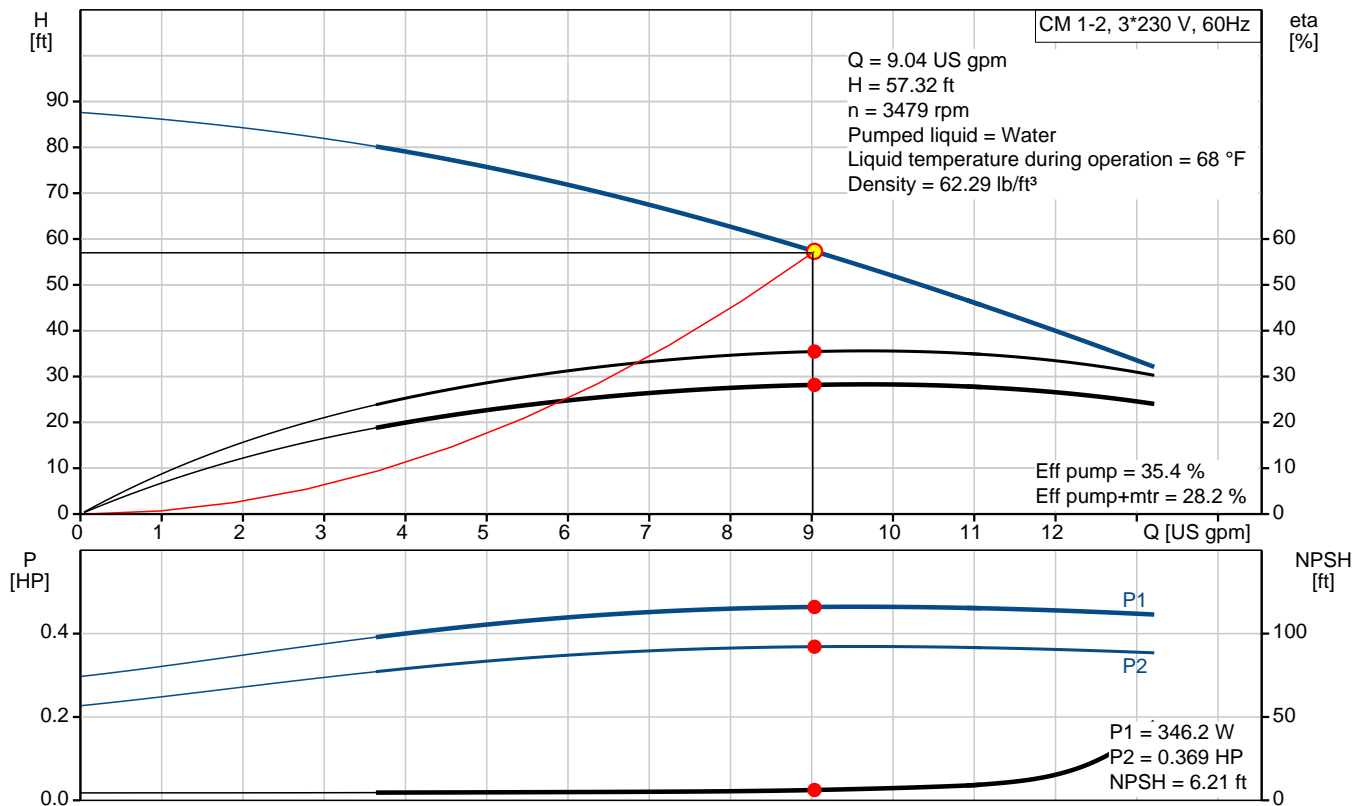
CM 1-2 A-S-I-V-AQQV E-A-A-N

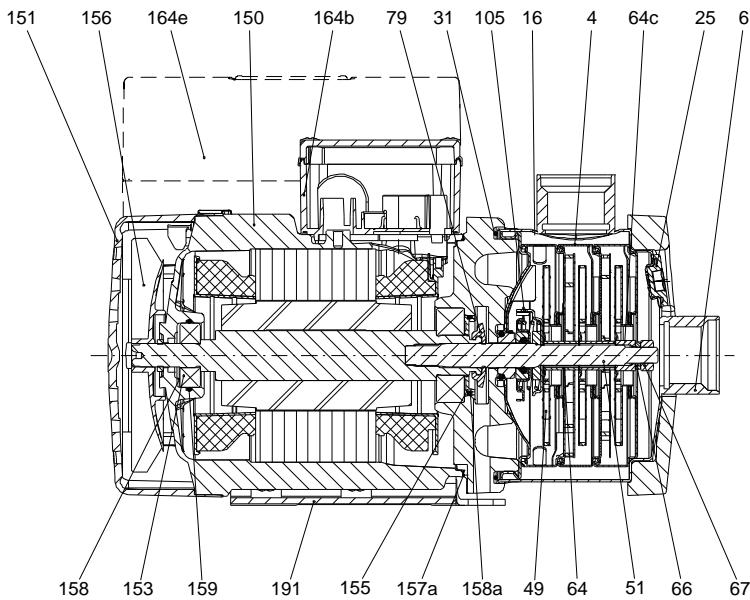
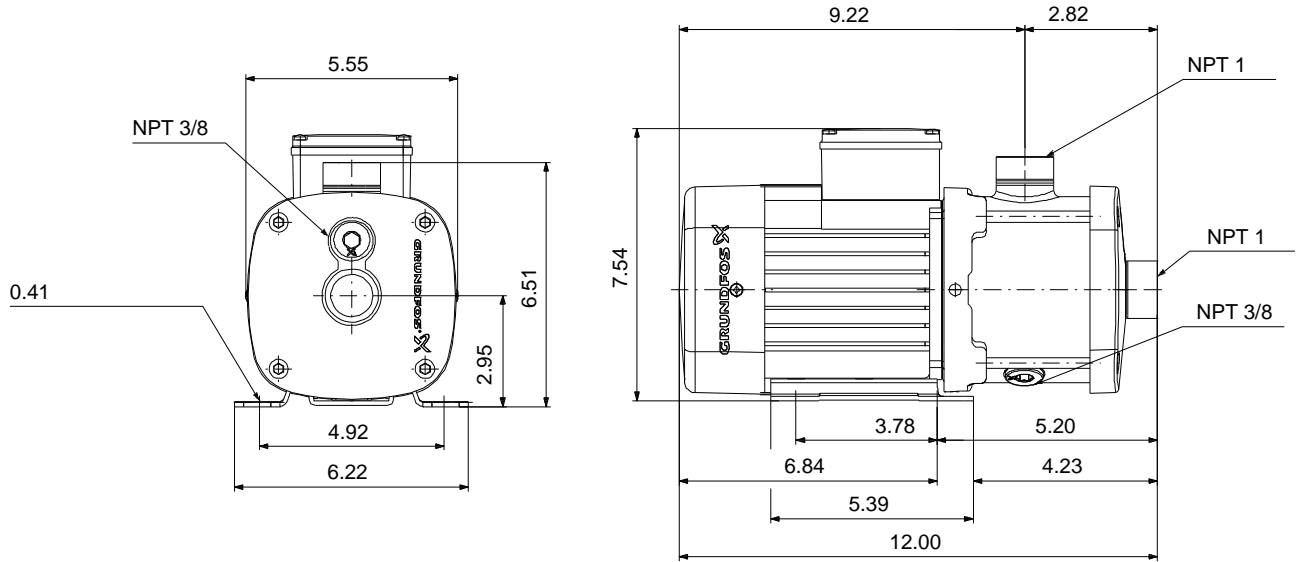


CM are reliable, quiet and compact horizontal end-suction pumps. The modular pump design makes it easy to make customised solutions. The CM pumps are available in cast iron and stainless steel

Product photo could vary from the actual product

Conditions of Service		Pump Data		Motor Data
Flow:	9.04 US gpm	Max pressure at stated temperature:	232 psi / 194 °F	Main frequency: 60 Hz
Head:	57.32 ft	Liquid temperature range:	-4 .. 248 °F	Enclosure class: IP55
Efficiency:	28.2 %	Maximum ambient temperature:	131 °F	
Liquid:	Water	Shaft seal:	AQQV	
Temperature:	68 °F	Product number:	97568255	
NPSH required:	6.21 ft			
Viscosity:	_____			
Specific Gravity:	1.000			





Materials:

Pump housing: Stainless steel
AISI 304

Impeller: Stainless steel
AISI 304
EN 1.4301

Material code: I

Code for rubber: V

165x100

Count	Description
1	<p data-bbox="224 338 574 367">CM 1-2 A-S-I-V-AQQV E-A-A-N</p> <div data-bbox="256 436 553 604">  </div> <p data-bbox="613 627 1062 653" style="text-align: center;">Product photo could vary from the actual product</p> <p data-bbox="224 659 488 684">Product No.: 97568255</p> <p data-bbox="224 718 1487 793">Compact, reliable, horizontal, multistage, end-suction centrifugal pump with axial suction port and radial discharge port. Pump materials in contact with the liquid are in stainless steel. The mechanical shaft seal is a special designed, unbalanced O-ring seal. Pipework connection is via internal NPT pipe threads.</p> <p data-bbox="224 804 1105 829">The pump is fitted with a 3-phase, foot-mounted, fan-cooled asynchronous motor.</p> <p data-bbox="224 863 334 888">Controls:</p> <p data-bbox="224 892 656 917">Frequency converter: NONE</p> <p data-bbox="224 951 310 976">Liquid:</p> <p data-bbox="224 980 651 1005">Pumped liquid: Water</p> <p data-bbox="224 1010 704 1035">Liquid temperature range: -4 .. 248 °F</p> <p data-bbox="224 1039 646 1064">Selected liquid temperature: 68 °F</p> <p data-bbox="224 1068 699 1094">Density: 62.29 lb/ft³</p> <p data-bbox="224 1127 347 1152">Technical:</p> <p data-bbox="224 1157 834 1182">Pump speed on which pump data are based: 3480 rpm</p> <p data-bbox="224 1186 727 1211">Actual calculated flow: 9.04 US gpm</p> <p data-bbox="224 1215 727 1241">Rated flow: 8.98 US gpm</p> <p data-bbox="224 1245 667 1270">Resulting head of the pump: 57.32 ft</p> <p data-bbox="224 1274 667 1299">Rated head: 59.09 ft</p> <p data-bbox="224 1304 656 1329">Code for shaft seal: AQQV</p> <p data-bbox="224 1333 781 1358">Curve tolerance: ISO9906:2012 3B</p> <p data-bbox="224 1392 342 1417">Materials:</p> <p data-bbox="224 1421 743 1509">Pump housing: Stainless steel EN 1.4301 AISI 304</p> <p data-bbox="224 1514 743 1602">Impeller: Stainless steel EN 1.4301 AISI 304</p> <p data-bbox="224 1635 363 1661">Installation:</p> <p data-bbox="224 1665 704 1690">Range of ambient temperature: -4 .. 131 °F</p> <p data-bbox="224 1694 699 1719">Maximum operating pressure: 232.06 psi</p> <p data-bbox="224 1724 818 1778">Max pressure at stated temperature: 232 psi / 194 °F 145 psi / 250 °F</p> <p data-bbox="224 1782 667 1808">Type of connection: NPT(F)</p> <p data-bbox="224 1812 651 1837">Size of suction port: 1 inch</p> <p data-bbox="224 1841 651 1866">Size of outlet port: 1 inch</p> <p data-bbox="224 1871 613 1896">Outlet position: 12</p> <p data-bbox="224 1929 399 1955">Electrical data:</p>



Company name: PFC Equipment

Created by:

Phone:

Date: 3/25/2020

Count	Description
	Motor standard: NEMA
	Frame size: 71A
	Rated power - P2: 0.577 HP
	Main frequency: 60 Hz
	Suitable for 50/60 Hz: N
	Phase: 3
	Rated voltage: 208-230YY/440-480Y V
	Service factor: 1.00
	Rated current: 1,9-1,7/1,0-0,8 A
	Rated speed: 3360-3420 rpm
	Enclosure class (IEC 34-5): IP55
	Insulation class (IEC 85): F
	Built-in motor protection: NONE
	Others:
	Terminal box position: 12
	Minimum efficiency index, MEI $\eta_{\%}$: 0.68
	Net weight: 25.7 lb
	Gross weight: 31.2 lb
	Approvals: CE,CULUS,WRAS,ACS,TR,EAC,CURUS
	Country of origin: US
	Custom tariff no.: 8413.70.2040



Company name: PFC Equipment

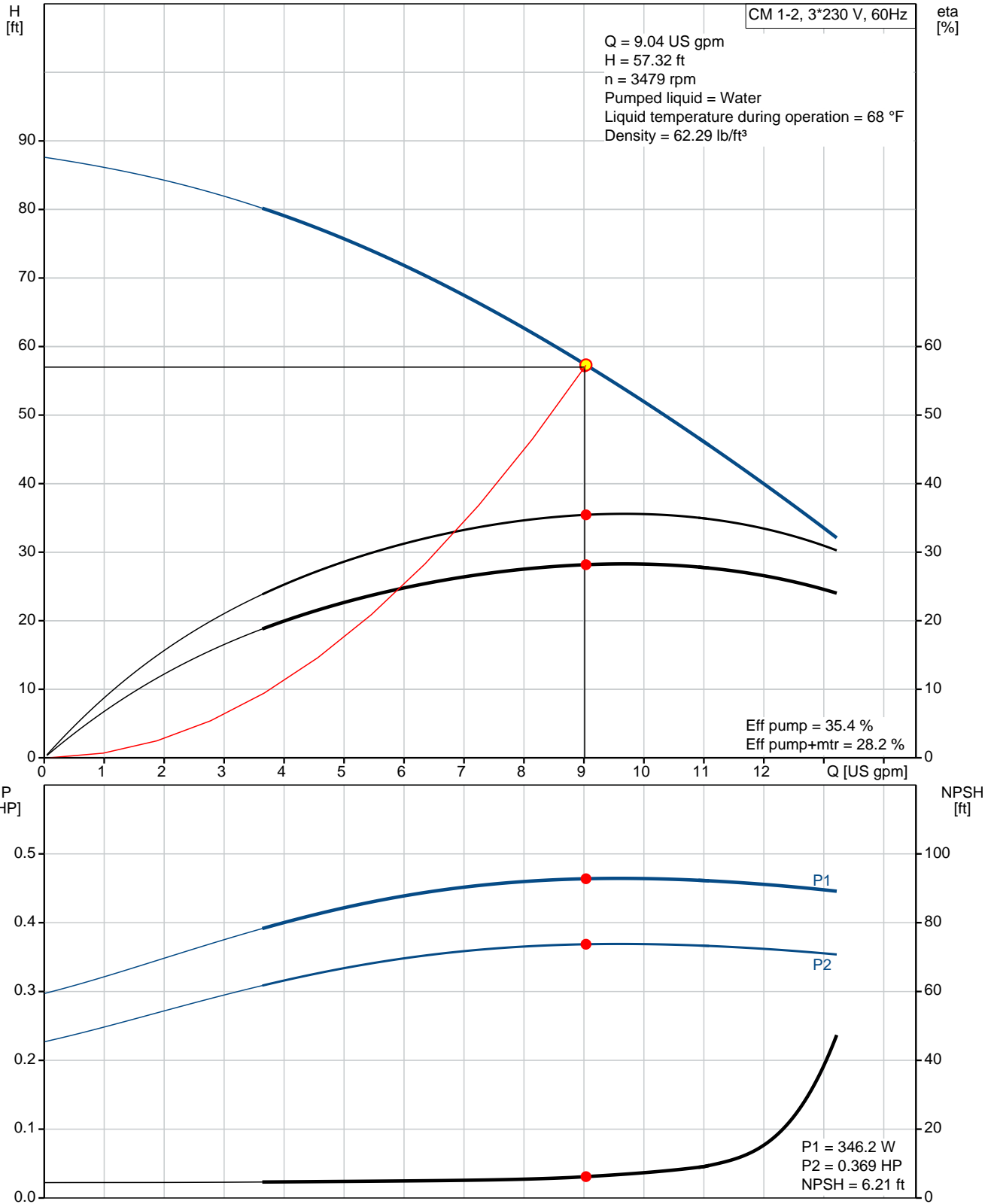
Created by:

Phone:

Date:

3/25/2020

97568255 CM 1-2 A-S-I-V-AQQV E-A-A-N 60 Hz





Company name: PFC Equipment

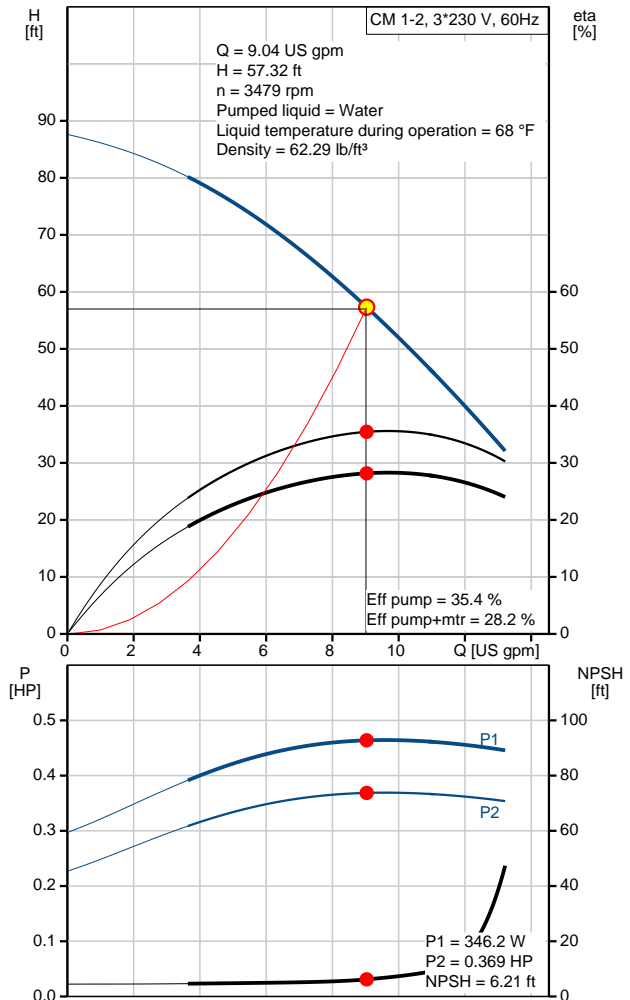
Created by:

Phone:

Date:

3/25/2020

Description	Value
General information:	
Product name:	CM 1-2 A-S-I-V-AQQV E-A-A-N
Product No.:	97568255
EAN:	5700318668163
	5700318668163
Technical:	
Pump speed on which pump data are based:	3480 rpm
Actual calculated flow:	9.04 US gpm
Rated flow:	8.98 US gpm
Resulting head of the pump:	57.32 ft
Rated head:	59.09 ft
Impellers:	2
Code for shaft seal:	AQQV
Curve tolerance:	ISO9906:2012 3B
Pump version:	A
Model:	A
Materials:	
Pump housing:	Stainless steel
	EN 1.4301
	AISI 304
Impeller:	Stainless steel
	EN 1.4301
	AISI 304
Material code:	I
Code for rubber:	V
Installation:	
Range of ambient temperature:	-4 .. 131 °F
Maximum operating pressure:	232.06 psi
Max pressure at stated temperature:	232 psi / 194 °F
	145 psi / 250 °F
Type of connection:	NPT(F)
Size of suction port:	1 inch
Size of outlet port:	1 inch
Outlet position:	12
Connect code:	S
Liquid:	
Pumped liquid:	Water
Liquid temperature range:	-4 .. 248 °F
Selected liquid temperature:	68 °F
Density:	62.29 lb/ft ³
Electrical data:	
Motor standard:	NEMA
Frame size:	71A
Rated power - P2:	0.577 HP
Main frequency:	60 Hz
Suitable for 50/60 Hz:	N
Phase:	3
Rated voltage:	208-230YY/440-480Y V
Service factor:	1.00
Rated current:	1,9-1,7/1,0-0,8 A
Rated speed:	3360-3420 rpm
Enclosure class (IEC 34-5):	IP55





Company name: PFC Equipment

Created by:

Phone:

Date: 3/25/2020

Description	Value
Insulation class (IEC 85):	F
Built-in motor protection:	NONE
Controls:	
Frequency converter:	NONE
Others:	
Terminal box position:	12
Minimum efficiency index, MEI â%œ¥:	0.68
Net weight:	25.7 lb
Gross weight:	31.2 lb
Approvals:	CE,CULUS,WRAS,ACS,TR,EA C,CURUS
Country of origin:	US
Custom tariff no.:	8413.70.2040



Company name: PFC Equipment

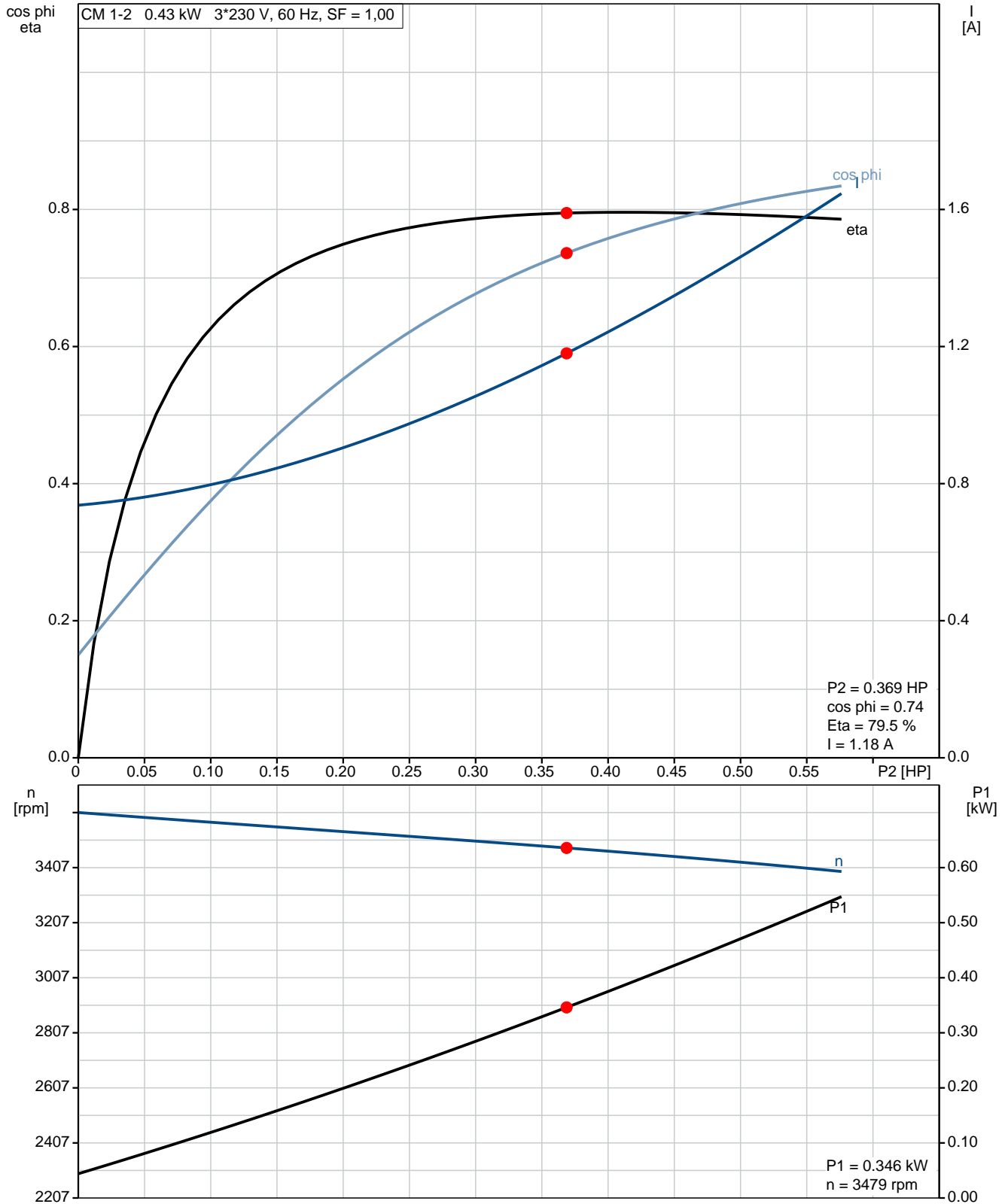
Created by:

Phone:

Date:

3/25/2020

97568255 CM 1-2 A-S-I-V-AQQV E-A-A-N 60 Hz





Company name: PFC Equipment

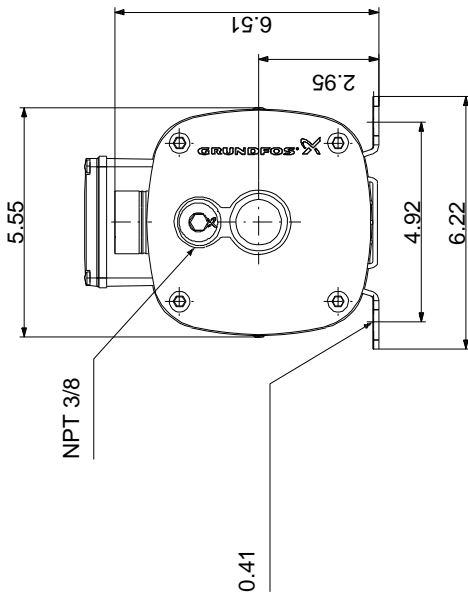
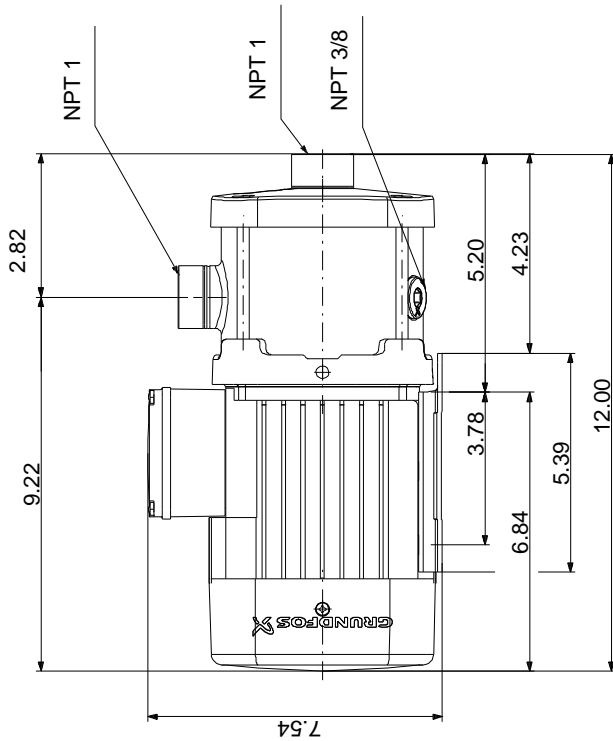
Created by:

Phone:

Date:

3/25/2020

97568255 CM 1-2 A-S-I-V-AQQV E-A-A-N 60 Hz



Note! All units are in [in] unless otherwise stated.
Disclaimer: This simplified dimensional drawing does not show all details.

97568255 CM 1-2 A-S-I-V-AQQV E-A-A-N 60 Hz

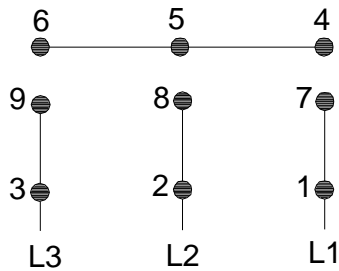


WARNING

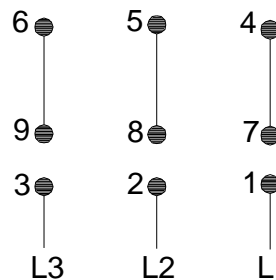
MOTOR MUST BE GROUNDED IN ACCORDANCE WITH THE NATIONAL ELECTRICAL CODE AND LOCAL CODES BY TRAINED PERSONNEL TO PREVENT SERIOUS ELECTRICAL SHOCKS.

TO SERVICE MOTOR, DISCONNECT POWER SOURCE FROM MOTOR AND ANY ACCESSORY DEVICES AND ALLOW MOTOR TO COME TO A COMPLETE STAND STILL.

LOW VOLTAGE
60Hz. 208-230V



HIGH VOLTAGE
60Hz: 460V
50Hz: 400V



96553852

INTERCHANGE ANY TWO LINE WIRES TO REVERSE ROTATION
THERMOSTAT LEADS
(WHEN PROVIDED)

