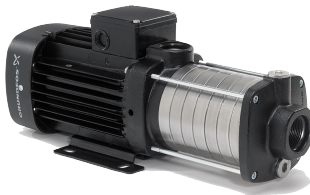


PROJECT: _____	UNIT TAG: _____	QUANTITY: _____
REPRESENTATIVE: _____	TYPE OF SERVICE: _____	DATE: _____
ENGINEER: _____	SUBMITTED BY: _____	DATE: _____
CONTRACTOR: _____	APPROVED BY: _____	DATE: _____
	ORDER NO.: _____	DATE: _____

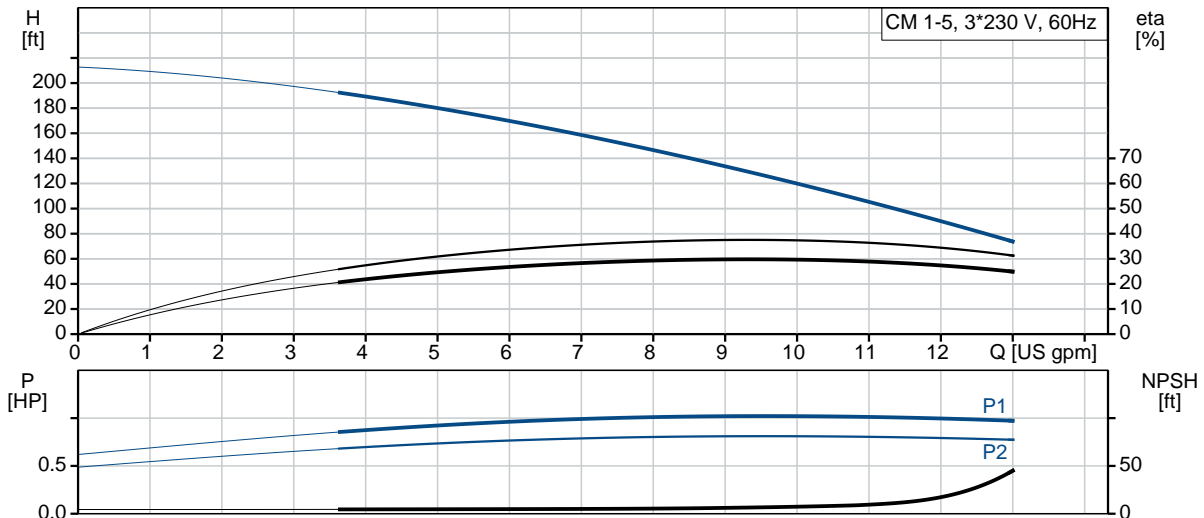
### CM 1-5 A-S-A-V-AQQV E-A-A-N

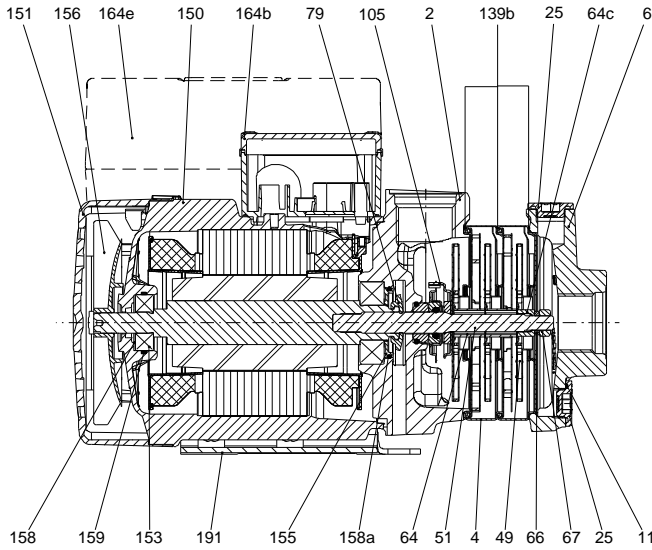
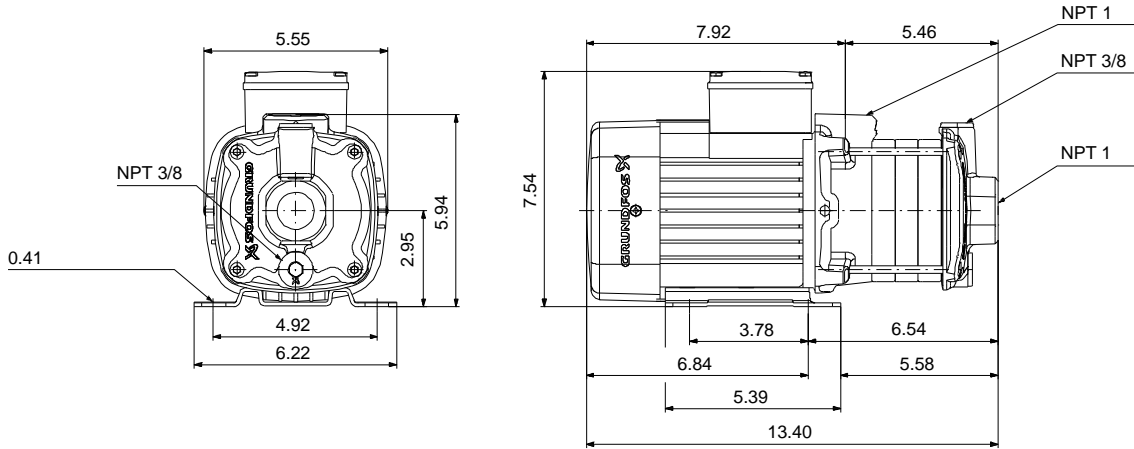


CM are reliable, quiet and compact horizontal end-suction pumps. The modular pump design makes it easy to make customised solutions. The CM pumps are available in cast iron and stainless steel

Product photo could vary from the actual product

Conditions of Service	Pump Data	Motor Data
Flow: _____	Max pressure at stated temperature: 145 psi / 194 °F	Main frequency: 60 Hz
Head: _____	Liquid temperature range: -4 .. 194 °F	Enclosure class: IP55
Efficiency: _____	Maximum ambient temperature: 131 °F	
Liquid: Water	Shaft seal: AQQV	
Temperature: 68 °F	Product number: 97568266	
NPSH required: ft		
Viscosity: _____		
Specific Gravity: 1.000		





**Materials:**

- Pump housing: Cast iron  
ASTM A48-25A
- Impeller: Stainless steel  
AISI 304  
EN 1.4301
- Material code: A
- Code for rubber: V

165x100

Count	Description
1	<p data-bbox="298 415 662 443"><b>CM 1-5 A-S-A-V-AQQV E-A-A-N</b></p> <div data-bbox="321 573 630 762" style="text-align: center;">  </div> <p data-bbox="686 842 1138 867" style="text-align: center;">Product photo could vary from the actual product</p> <p data-bbox="298 875 561 900">Product No.: <a href="#">97568266</a></p> <p data-bbox="298 934 1382 1035">Compact, reliable, horizontal, multistage, end-suction centrifugal pump with axial suction port and radial discharge port. The shaft, impellers and chambers are made of stainless steel. The inlet and discharge parts are made of cast iron. The mechanical shaft seal is a special designed, unbalanced O-ring seal. Pipework connection is via internal NPT pipe threads.</p> <p data-bbox="298 1047 1182 1073">The pump is fitted with a 3-phase, foot-mounted, fan-cooled asynchronous motor.</p> <p data-bbox="298 1106 613 1134"><b>Further product details</b></p> <p data-bbox="298 1142 1354 1192">Pump and motor are integrated in a compact and user-friendly design. The pump is fitted to a low base plate, making it ideal for installation in systems where compactness is important.</p> <p data-bbox="298 1201 1354 1251">The state-of-the-art design and materials of the shaft seal ensure high wear resistance, improved sticking and dry-running capabilities and long operating life.</p> <p data-bbox="298 1260 1393 1310">Servicing the pump requires no special service tools. Service parts are in stock for quick delivery and are available as kits, single parts or bulk. Service videos are available on <a href="#">www.youtube.com</a>.</p> <p data-bbox="298 1344 380 1371"><b>Pump</b></p> <p data-bbox="298 1379 1382 1455">A combination of a stop ring and a Nord-lock® washer secures a tight and reliable fixation of the impeller spacing pipes to the splined pump shaft. It is possible to remove and fit the hydraulic parts from the pump side. The inlet part, chambers and discharge part are held together by four staybolts.</p> <p data-bbox="298 1493 1365 1543">The pump is fitted with an unbalanced O-ring seal with a rigid torque-transmission system. It has a fixed seal driver ensuring a reliable rotation of all parts. The dynamic secondary seal is an O-ring.</p> <p data-bbox="298 1551 444 1577">Primary seal:</p> <ul data-bbox="337 1581 889 1635" style="list-style-type: none"> <li>• Rotating seal ring material: silicon carbide (SiC)</li> <li>• Stationary seat material: silicon carbide (SiC)</li> </ul> <p data-bbox="298 1640 1393 1690">This material pairing is used where higher corrosion resistance is required. The high hardness of this material pairing offers good resistance against abrasive particles.</p> <p data-bbox="298 1698 867 1724">Secondary seal material: FKM (fluorocarbon rubber)</p> <p data-bbox="298 1728 1398 1778">FKM has excellent resistance to oils and chemicals. Above 90 °C, FKM should only be used in media without water.</p>

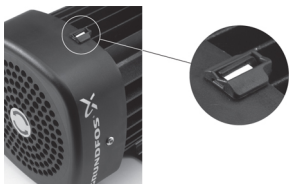


The pump shaft is connected to the motor shaft through a left thread and tight fit. The shaft cannot be dismantled.

### Motor

The motor is a totally enclosed, fan-cooled motor with principal dimensions to EN 50347. Electrical tolerances comply with EN 60034.

An installation indicator is fitted to the motor fan cover. Based on the motor cooling air, it indicates the direction of rotation of the motor. The motor is fitted with a directional sticker.



The motor can be connected to a variable speed drive for adjustment of pump performance to any duty point. Grundfos CUE offers a range of variable speed drives. Please find more information in Grundfos Product Center.

### Technical data

#### Controls:

Frequency converter: NONE

#### Liquid:

Pumped liquid: Water  
Liquid temperature range: -4 .. 194 °F  
Selected liquid temperature: 68 °F  
Density: 62.29 lb/ft<sup>3</sup>

#### Technical:

Pump speed on which pump data are based: 3480 rpm  
Rated flow: 8.98 US gpm  
Rated head: 146.1 ft  
Code for shaft seal: AQQV  
Curve tolerance: ISO9906:2012 3B

#### Materials:

Pump housing: Cast iron  
EN-GJL-200  
ASTM A48-25A  
Impeller: Stainless steel



Company name:

Created by:

Phone:

Date:

3/24/2020

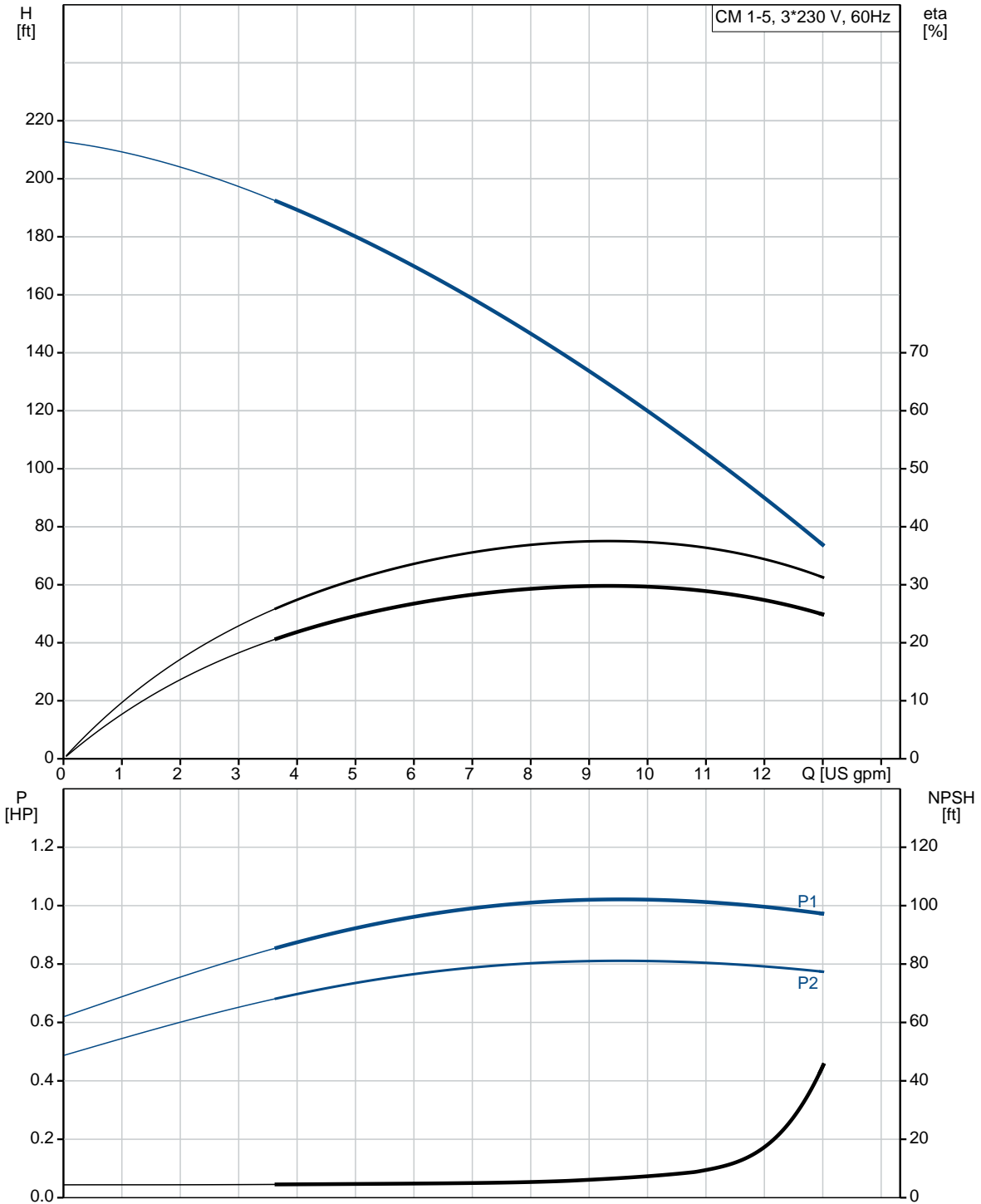
Count	Description
	EN 1.4301 AISI 304
	<b>Installation:</b> Range of ambient temperature: -4 .. 131 °F Maximum operating pressure: 145.04 psi Max pressure at stated temperature: 145 psi / 194 °F 145 psi / 194 °F Type of connection: NPT(F) Size of suction port: 1 inch Size of outlet port: 1 inch Outlet position: 12
	<b>Electrical data:</b> Motor standard: NEMA Frame size: 71B Rated power - P2: 0.992 HP Main frequency: 60 Hz Suitable for 50/60 Hz: N Phase: 3 Rated voltage: 208-230YY/440-480Y V Service factor: 1.00 Rated current: 3,4-3,6/1,7-1,8 A Rated speed: 3220-3370 rpm Enclosure class (IEC 34-5): IP55 Insulation class (IEC 85): F Built-in motor protection: NONE
	<b>Others:</b> Terminal box position: 12 Minimum efficiency index, MEI $\eta_{0.7}$ : 0.7 Net weight: 27.6 lb Gross weight: 33.1 lb Approvals: CE,CULUS,WRAS,ACS,TR,EAC,CURUS Country of origin: US Custom tariff no.: 8413.70.2040



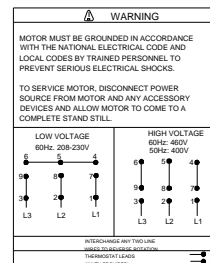
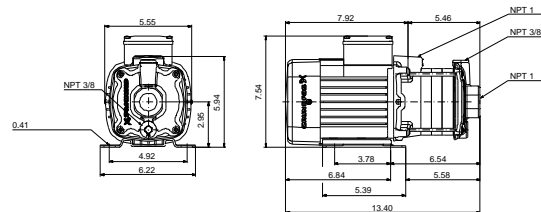
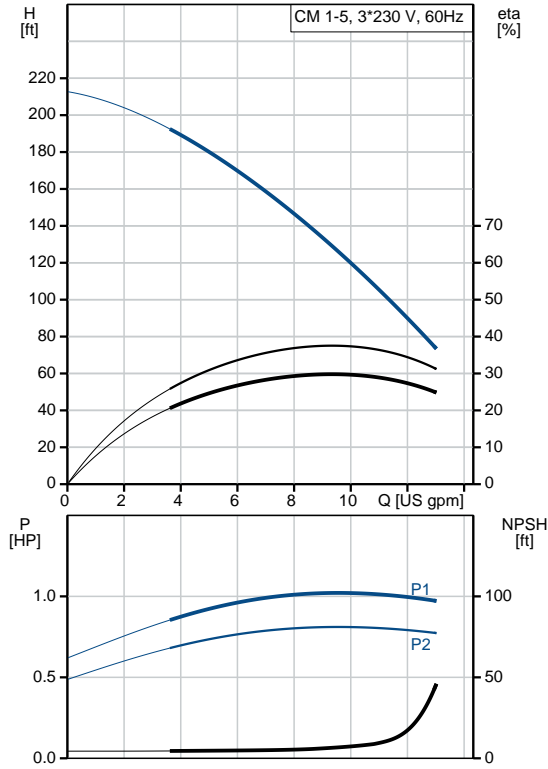
Company name:  
Created by:  
Phone:

Date: 3/24/2020

### 97568266 CM 1-5 A-S-A-V-AQQV E-A-A-N 60 Hz



Description	Value
<b>General information:</b>	
Product name:	CM 1-5 A-S-A-V-AQQV E-A-A-N
Product No.:	97568266
EAN:	5700318668279 5700318668279
<b>Technical:</b>	
Pump speed on which pump data are based:	3480 rpm
Rated flow:	8.98 US gpm
Rated head:	146.1 ft
Impellers:	5
Code for shaft seal:	AQQV
Curve tolerance:	ISO9906:2012 3B
Pump version:	A
Model:	A
<b>Materials:</b>	
Pump housing:	Cast iron EN-GJL-200 ASTM A48-25A
Impeller:	Stainless steel EN 1.4301 AISI 304
Material code:	A
Code for rubber:	V
<b>Installation:</b>	
Range of ambient temperature:	-4 .. 131 °F
Maximum operating pressure:	145.04 psi
Max pressure at stated temperature:	145 psi / 194 °F 145 psi / 194 °F
Type of connection:	NPT(F)
Size of suction port:	1 inch
Size of outlet port:	1 inch
Outlet position:	12
Connect code:	S
<b>Liquid:</b>	
Pumped liquid:	Water
Liquid temperature range:	-4 .. 194 °F
Selected liquid temperature:	68 °F
Density:	62.29 lb/ft <sup>3</sup>
<b>Electrical data:</b>	
Motor standard:	NEMA
Frame size:	71B
Rated power - P2:	0.992 HP
Main frequency:	60 Hz
Suitable for 50/60 Hz:	N
Phase:	3





Company name:

Created by:

Phone:

Date:

3/24/2020

Description	Value
Rated voltage:	208-230YY/440-480Y V
Service factor:	1.00
Rated current:	3,4-3,6/1,7-1,8 A
Rated speed:	3220-3370 rpm
Enclosure class (IEC 34-5):	IP55
Insulation class (IEC 85):	F
Built-in motor protection:	NONE
<b>Controls:</b>	
Frequency converter:	NONE
<b>Others:</b>	
Terminal box position:	12
Minimum efficiency index, MEI â%œ¥:	0.7
Net weight:	27.6 lb
Gross weight:	33.1 lb
Approvals:	CE,CULUS,WRAS,ACS,TR,E AC,CURUS
Country of origin:	US
Custom tariff no.:	8413.70.2040

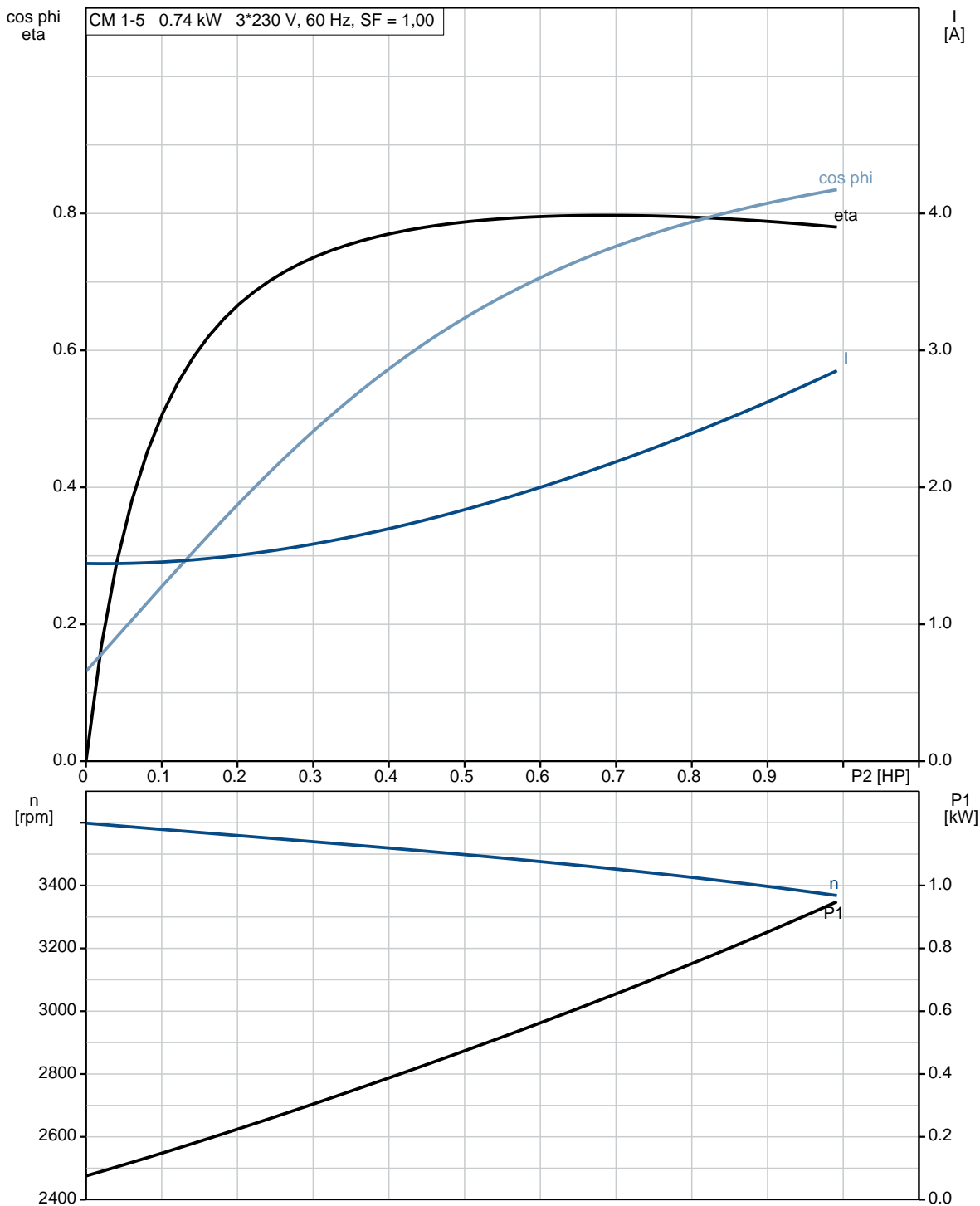




Company name:  
Created by:  
Phone:

Date: 3/24/2020

### 97568266 CM 1-5 A-S-A-V-AQQV E-A-A-N 60 Hz

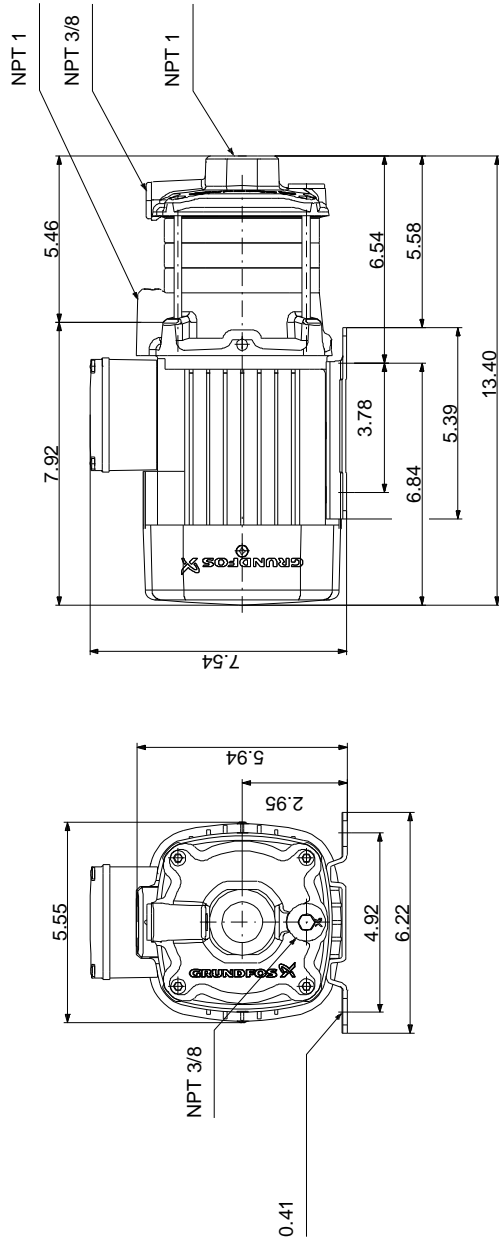




Company name:  
Created by:  
Phone:

Date: 3/24/2020

### 97568266 CM 1-5 A-S-A-V-AQQV E-A-A-N 60 Hz



Note! All units are in [in] unless otherwise stated.  
Disclaimer: This simplified dimensional drawing does not show all details.

## 97568266 CM 1-5 A-S-A-V-AQQV E-A-A-N 60 Hz

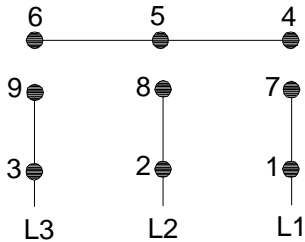


### WARNING

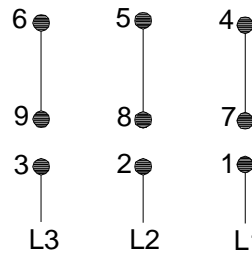
MOTOR MUST BE GROUNDED IN ACCORDANCE WITH THE NATIONAL ELECTRICAL CODE AND LOCAL CODES BY TRAINED PERSONNEL TO PREVENT SERIOUS ELECTRICAL SHOCKS.

TO SERVICE MOTOR, DISCONNECT POWER SOURCE FROM MOTOR AND ANY ACCESSORY DEVICES AND ALLOW MOTOR TO COME TO A COMPLETE STAND STILL.

LOW VOLTAGE  
60Hz. 208-230V



HIGH VOLTAGE  
60Hz: 460V  
50Hz: 400V



96553852

INTERCHANGE ANY TWO LINE  
WIRES TO REVERSE ROTATION  
THERMOSTAT LEADS  
(WHEN PROVIDED)



All units are [in] unless otherwise presented.