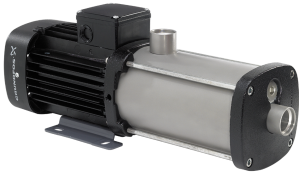


PROJECT: _____	UNIT TAG: _____	QUANTITY: _____
REPRESENTATIVE: _____	TYPE OF SERVICE: _____	DATE: _____
ENGINEER: _____	SUBMITTED BY: _____	DATE: _____
CONTRACTOR: _____	APPROVED BY: _____	DATE: _____
	ORDER NO.: _____	DATE: _____

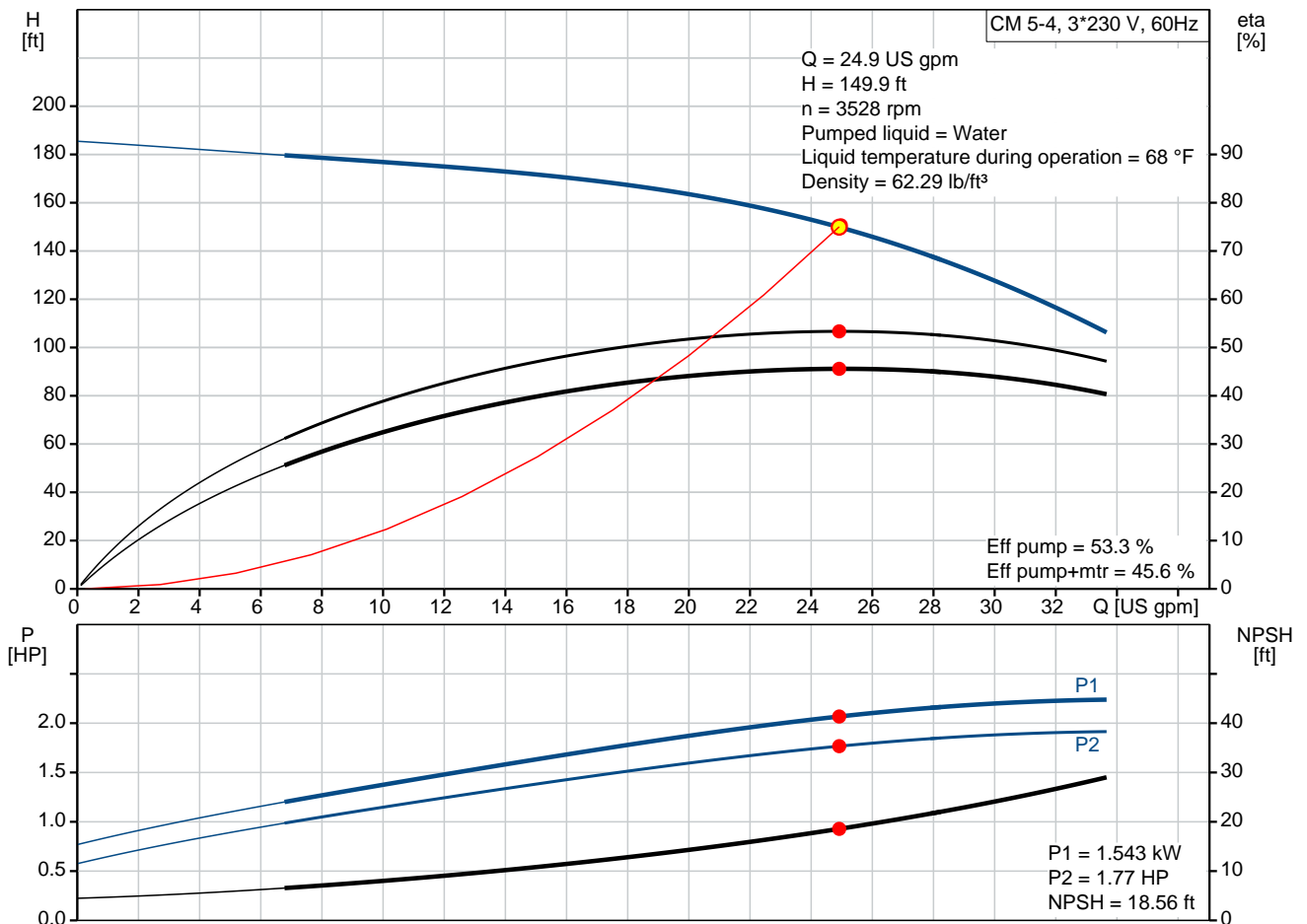
### CM 5-4 A-S-I-E-AQQE E-A-A-N

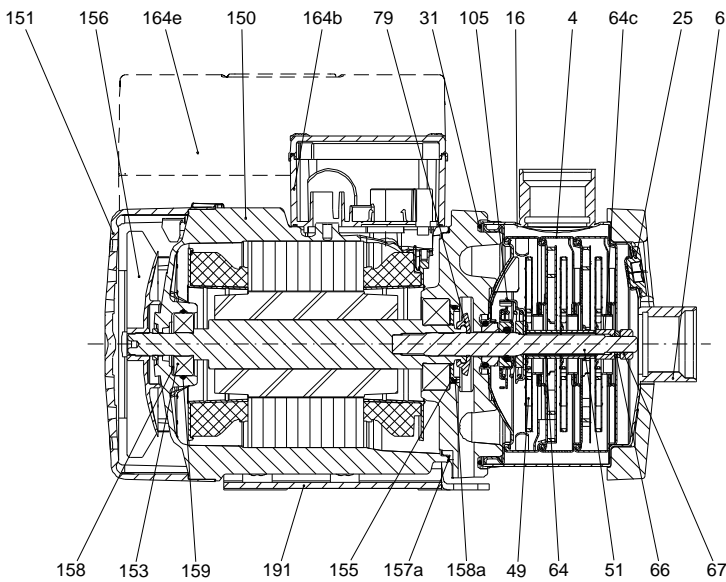
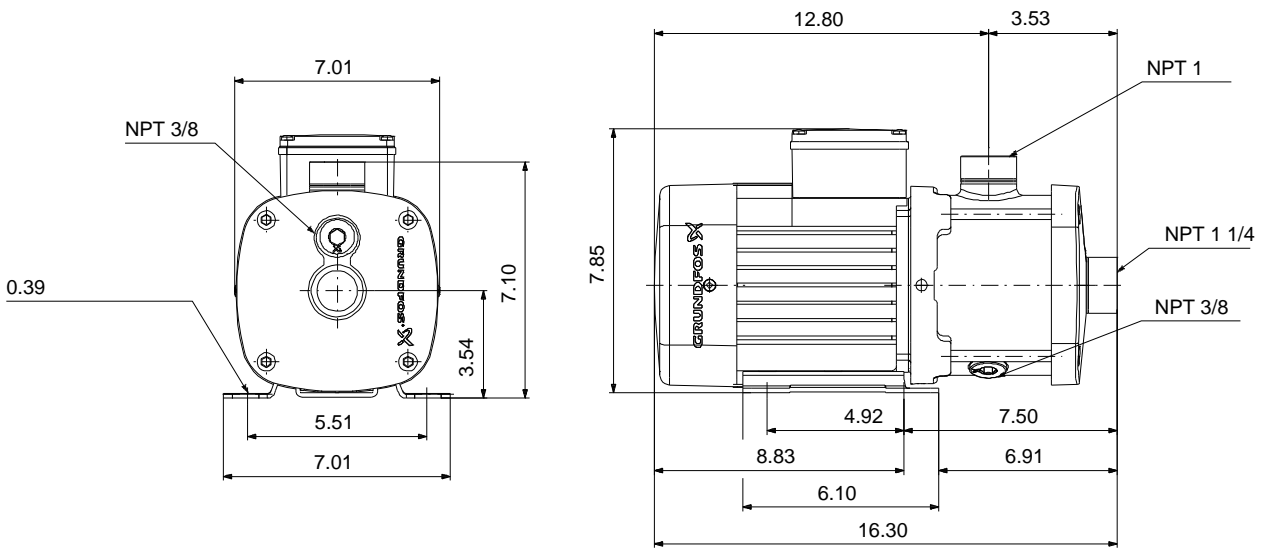


CM are reliable, quiet and compact horizontal end-suction pumps. The modular pump design makes it easy to make customised solutions. The CM pumps are available in cast iron and stainless steel

Product photo could vary from the actual product

Conditions of Service		Pump Data		Motor Data	
Flow:	24.9 US gpm	Max pressure at stated temperature:	232 psi / 194 °F	Main frequency:	60 Hz
Head:	149.9 ft	Liquid temperature range:	-4 .. 248 °F	Enclosure class:	IP55
Efficiency:	45.6 %	Maximum ambient temperature:	131 °F		
Liquid:	Water	Shaft seal:	AQQE		
Temperature:	68 °F	Product number:	97568443		
NPSH required:	18.56 ft				
Viscosity:	_____				
Specific Gravity:	1.000				





**Materials:**

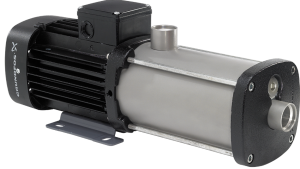
Pump housing: Stainless steel  
AISI 304

Impeller: Stainless steel  
AISI 304  
EN 1.4301

Material code: I

Code for rubber: E

165x100

Count	Description
1	<p><b>CM 5-4 A-S-I-E-AQQE E-A-A-N</b></p>  <p style="text-align: center;">Product photo could vary from the actual product</p> <p>Product No.: <a href="#">97568443</a></p> <p>Compact, reliable, horizontal, multistage, end-suction centrifugal pump with axial suction port and radial discharge port. Pump materials in contact with the liquid are in stainless steel. The mechanical shaft seal is a special designed, unbalanced O-ring seal. Pipework connection is via internal NPT pipe threads.</p> <p>The pump is fitted with a 3-phase, foot-mounted, fan-cooled asynchronous motor.</p> <p><b>Controls:</b>            Frequency converter: NONE</p> <p><b>Liquid:</b>            Pumped liquid: Water            Liquid temperature range: -4 .. 248 °F            Selected liquid temperature: 68 °F            Density: 62.29 lb/ft³</p> <p><b>Technical:</b>            Pump speed on which pump data are based: 3480 rpm            Actual calculated flow: 24.9 US gpm            Rated flow: 24.8 US gpm            Resulting head of the pump: 149.9 ft            Rated head: 145 ft            Code for shaft seal: AQQE            Curve tolerance: ISO9906:2012 3B</p> <p><b>Materials:</b>            Pump housing: Stainless steel                              EN 1.4301                              AISI 304            Impeller: Stainless steel                              EN 1.4301                              AISI 304</p> <p><b>Installation:</b>            Range of ambient temperature: -4 .. 131 °F            Maximum operating pressure: 232.06 psi            Max pressure at stated temperature: 232 psi / 194 °F              145 psi / 250 °F</p> <p>Type of connection: NPT(F)            Size of suction port: 1 1/4 inch            Size of outlet port: 1 inch            Outlet position: 12</p> <p><b>Electrical data:</b>            Motor standard: NEMA            Frame size: 90C            Rated power - P2: 2.28 HP            Main frequency: 60 Hz</p>



Company name:

Created by:

Phone:

Date:

3/27/2020

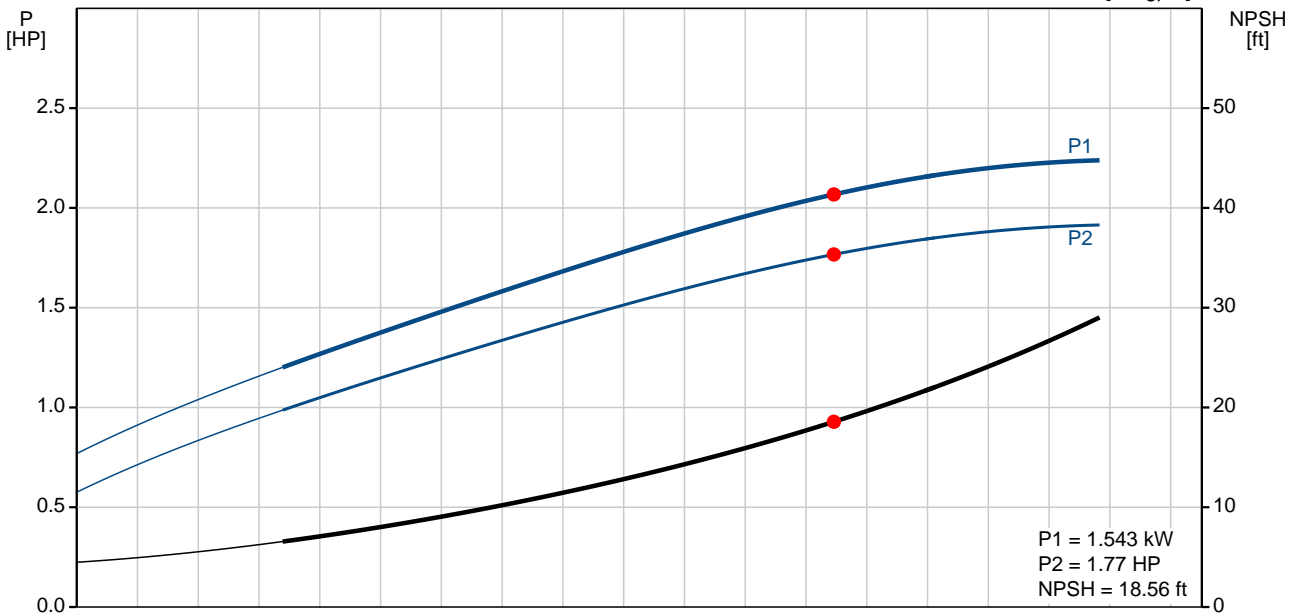
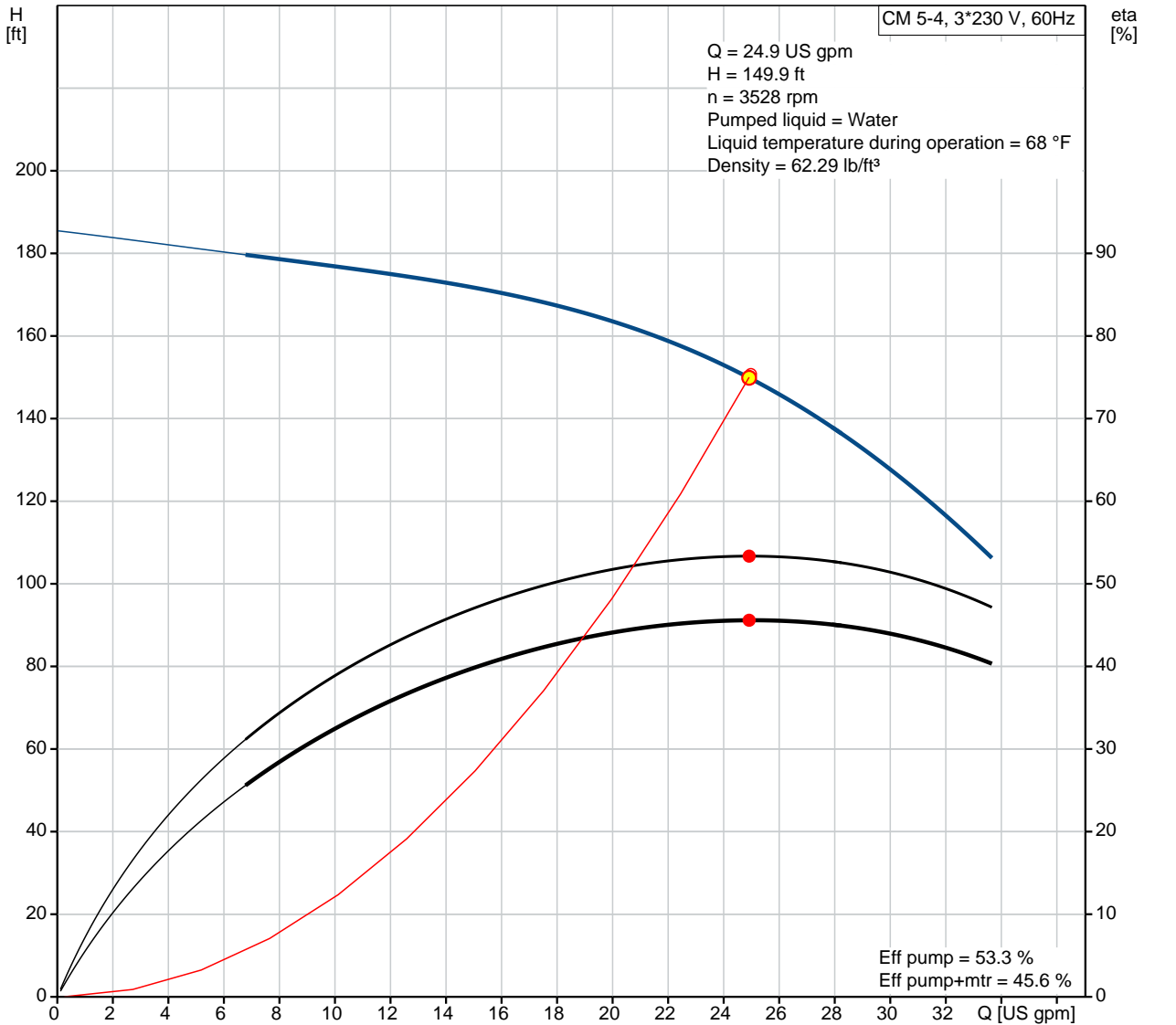
Count	Description
	Suitable for 50/60 Hz: N
	Phase: 3
	Rated voltage: 208-230YY/440-480Y V
	Service factor: 1.00
	Rated current: 6,25-5,85/2,98-2,85 A
	Rated speed: 3440-3520 rpm
	Enclosure class (IEC 34-5): IP55
	Insulation class (IEC 85): F
	Built-in motor protection: NONE
	<b>Others:</b>
	Terminal box position: 12
	Minimum efficiency index, MEI $\hat{\alpha}\%{\text{€}}$ : 0.7
	Net weight: 50.6 lb
	Gross weight: 56.1 lb
	Approvals: CE,CULUS,WRAS,ACS,TR,EAC
	Country of origin: US
	Custom tariff no.: 8413.70.2040



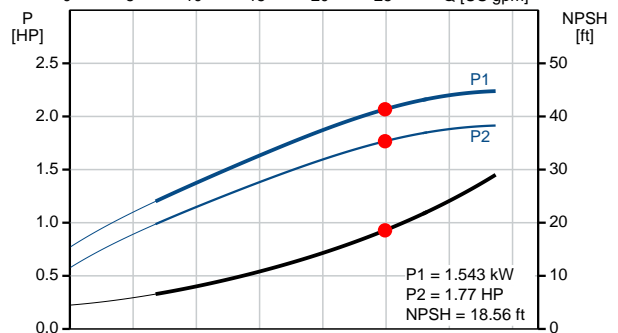
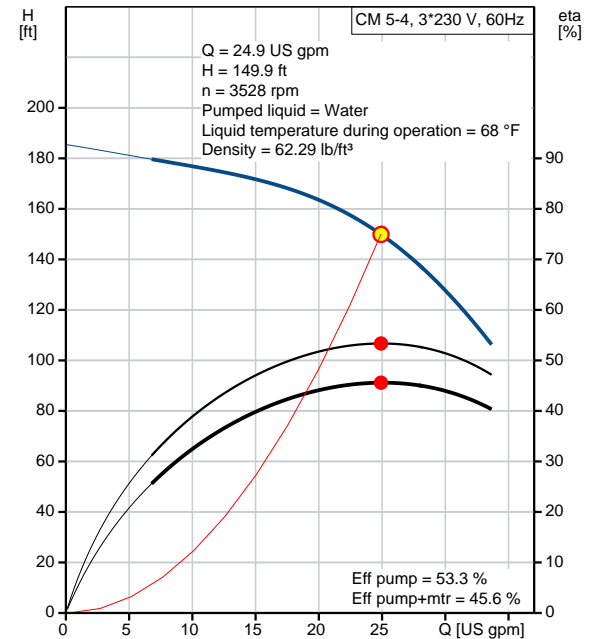
Company name:  
Created by:  
Phone:

Date: 3/27/2020

### 97568443 CM 5-4 A-S-I-E-AQQE E-A-A-N 60 Hz



Description	Value
<b>General information:</b>	
Product name:	CM 5-4 A-S-I-E-AQQE E-A-A-N
Product No.:	97568443
EAN:	5700318670043 5700318670043
<b>Technical:</b>	
Pump speed on which pump data are based:	3480 rpm
Actual calculated flow:	24.9 US gpm
Rated flow:	24.8 US gpm
Resulting head of the pump:	149.9 ft
Rated head:	145 ft
Impellers:	4
Code for shaft seal:	AQQE
Curve tolerance:	ISO9906:2012 3B
Pump version:	A
Model:	A
<b>Materials:</b>	
Pump housing:	Stainless steel EN 1.4301 AISI 304
Impeller:	Stainless steel EN 1.4301 AISI 304
Material code:	I
Code for rubber:	E
<b>Installation:</b>	
Range of ambient temperature:	-4 .. 131 °F
Maximum operating pressure:	232.06 psi
Max pressure at stated temperature:	232 psi / 194 °F 145 psi / 250 °F
Type of connection:	NPT(F)
Size of suction port:	1 1/4 inch
Size of outlet port:	1 inch
Outlet position:	12
Connect code:	S
<b>Liquid:</b>	
Pumped liquid:	Water
Liquid temperature range:	-4 .. 248 °F
Selected liquid temperature:	68 °F
Density:	62.29 lb/ft³
<b>Electrical data:</b>	
Motor standard:	NEMA
Frame size:	90C
Rated power - P2:	2.28 HP
Main frequency:	60 Hz
Suitable for 50/60 Hz:	N
Phase:	3
Rated voltage:	208-230YY/440-480Y V
Service factor:	1.00
Rated current:	6,25-5,85/2,98-2,85 A
Rated speed:	3440-3520 rpm
Enclosure class (IEC 34-5):	IP55
Insulation class (IEC 85):	F
Built-in motor protection:	NONE
<b>Controls:</b>	
Frequency converter:	NONE
<b>Others:</b>	





Company name:

Created by:

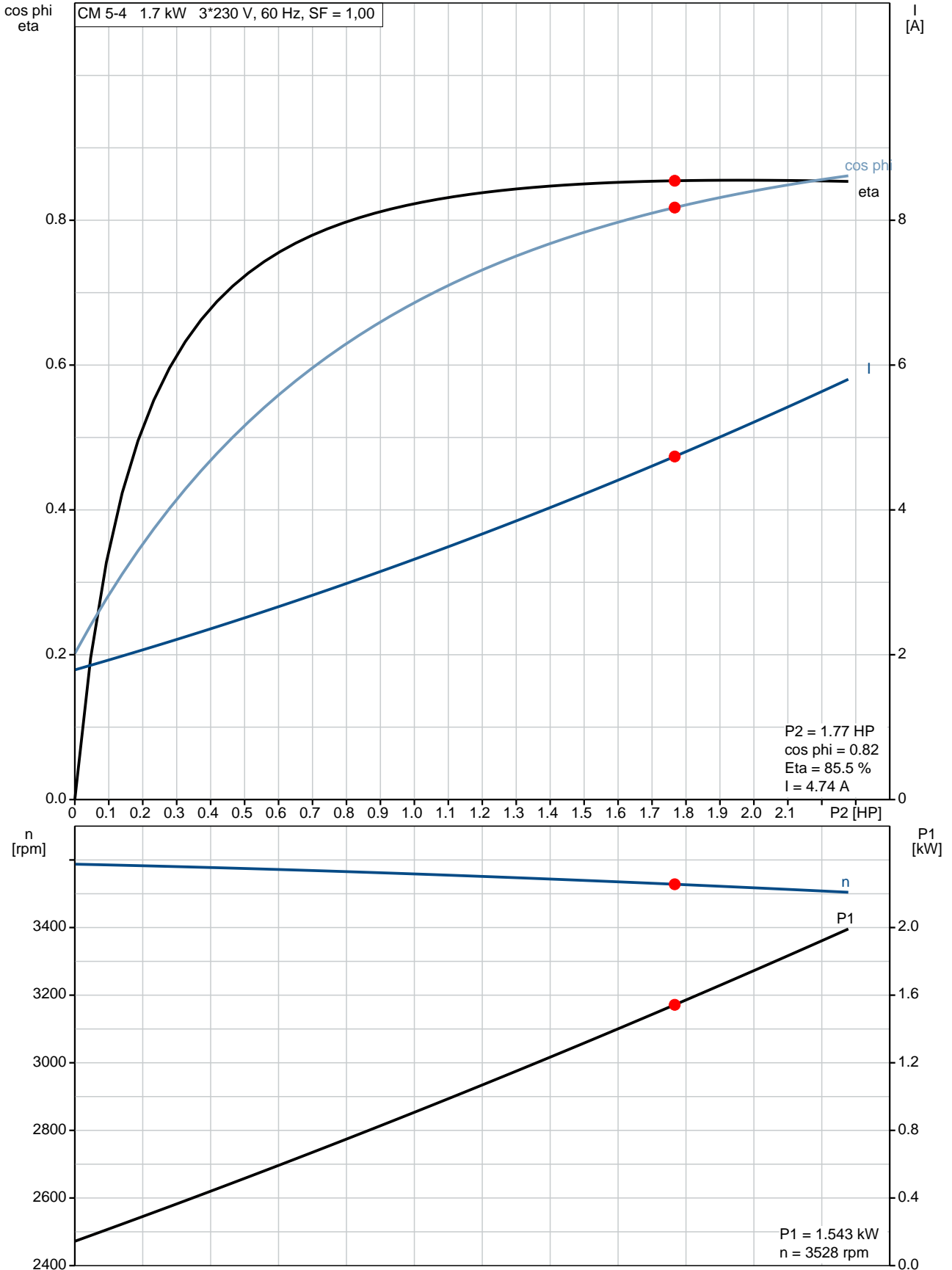
Phone:

Date:

3/27/2020

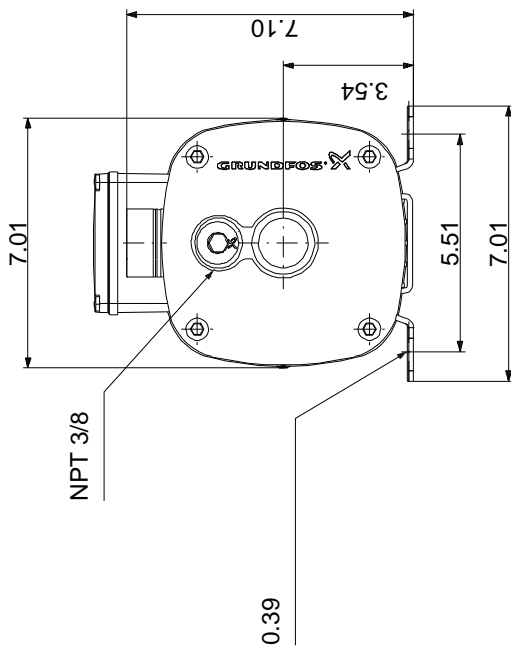
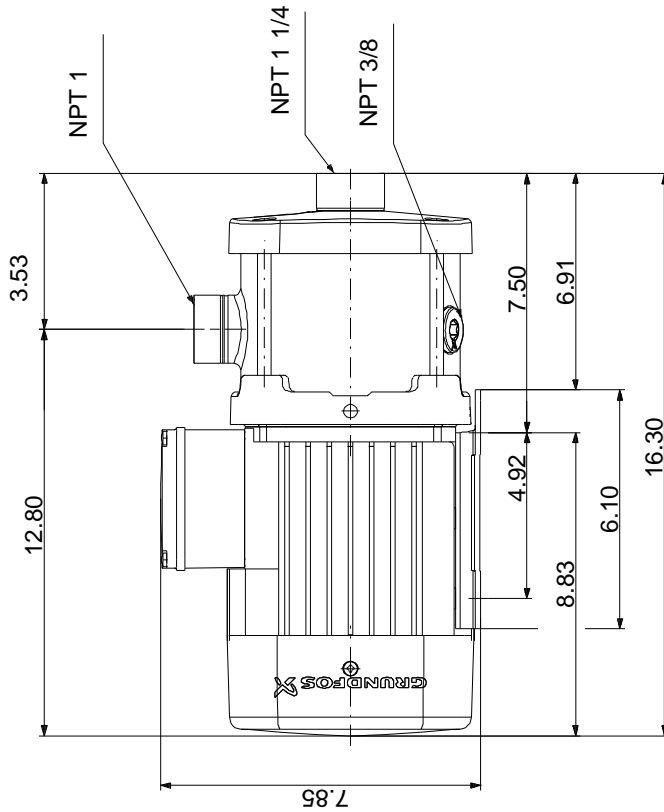
Description	Value
Terminal box position:	12
Minimum efficiency index, MEI %:	0.7
Net weight:	50.6 lb
Gross weight:	56.1 lb
Approvals:	CE,CULUS,WRAS,ACS,TR ,EAC
Country of origin:	US
Custom tariff no.:	8413.70.2040

## 97568443 CM 5-4 A-S-I-E-AQQE E-A-A-N 60 Hz





## 97568443 CM 5-4 A-S-I-E-AQQE E-A-A-N 60 Hz



Note! All units are in [in] unless otherwise stated.  
Disclaimer: This simplified dimensional drawing does not show all details.

## 97568443 CM 5-4 A-S-I-E-AQQE E-A-A-N 60 Hz

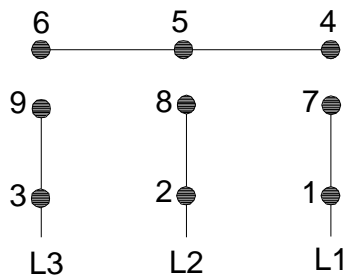


### WARNING

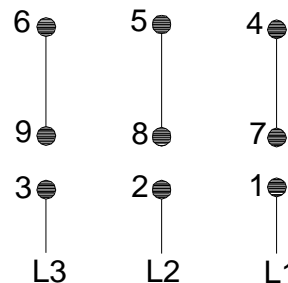
MOTOR MUST BE GROUNDED IN ACCORDANCE WITH THE NATIONAL ELECTRICAL CODE AND LOCAL CODES BY TRAINED PERSONNEL TO PREVENT SERIOUS ELECTRICAL SHOCKS.

TO SERVICE MOTOR, DISCONNECT POWER SOURCE FROM MOTOR AND ANY ACCESSORY DEVICES AND ALLOW MOTOR TO COME TO A COMPLETE STAND STILL.

#### LOW VOLTAGE 60Hz. 208-230V



#### HIGH VOLTAGE 60Hz: 460V 50Hz: 400V



96553852

INTERCHANGE ANY TWO LINE WIRES TO REVERSE ROTATION  
THERMOSTAT LEADS  
(WHEN PROVIDED)

