

PROJECT: _____	UNIT TAG: _____	QUANTITY: _____
REPRESENTATIVE: _____	TYPE OF SERVICE: _____	DATE: _____
ENGINEER: _____	SUBMITTED BY: _____	DATE: _____
CONTRACTOR: _____	APPROVED BY: _____	DATE: _____
	ORDER NO.: _____	DATE: _____

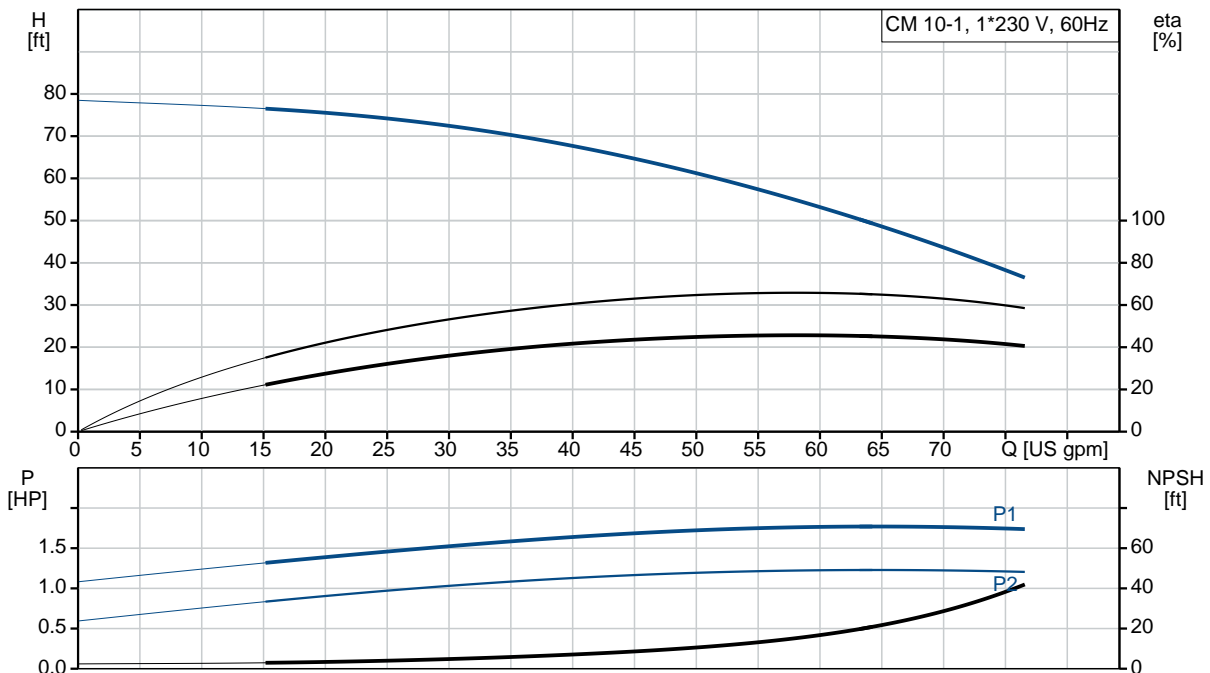
CM 10-1 A-S-A-V-AQQV B-A-A-N

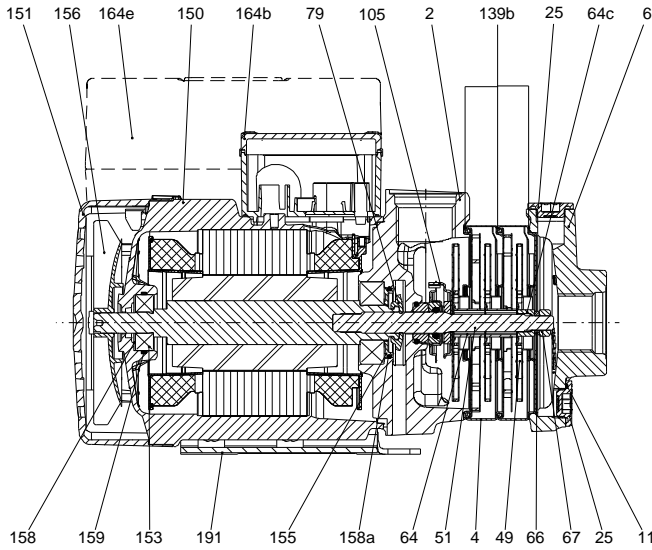
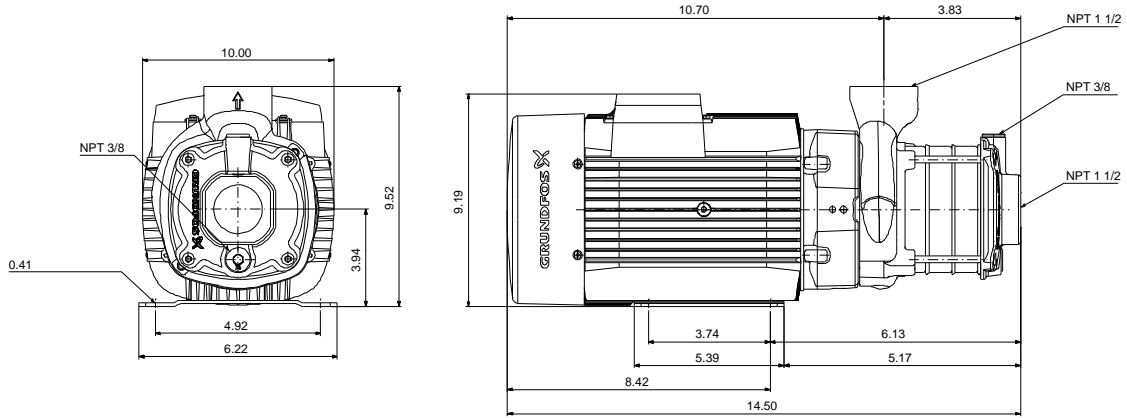


CM are reliable, quiet and compact horizontal end-suction pumps. The modular pump design makes it easy to make customised solutions. The CM pumps are available in cast iron and stainless steel

Product photo could vary from the actual product

Conditions of Service	Pump Data	Motor Data
Flow: _____	Max pressure at stated temperature: 145 psi / 194 °F	Main frequency: 60 Hz
Head: _____	Liquid temperature range: -4 .. 194 °F	Enclosure class: IP55
Efficiency: _____	Maximum ambient temperature: 131 °F	
Liquid: Water	Shaft seal: AQQV	
Temperature: 68 °F	Product number: 97568502	
NPSH required: ft		
Viscosity: _____		
Specific Gravity: 1.000		







Materials:

- Pump housing: Cast iron
ASTM A48-25A
- Impeller: Stainless steel
AISI 304
EN 1.4301
- Material code: A
- Code for rubber: V

165x100

Count	Description
1	<p data-bbox="298 415 675 443">CM 10-1 A-S-A-V-AQV B-A-A-N</p>  <p data-bbox="298 737 561 764">Product No.: 97568502</p> <p data-bbox="298 793 1382 894">Compact, reliable, horizontal, multistage, end-suction centrifugal pump with axial suction port and radial discharge port. The shaft, impellers and chambers are made of stainless steel. The inlet and discharge parts are made of cast iron. The mechanical shaft seal is a special designed, unbalanced O-ring seal. Pipework connection is via internal NPT pipe threads.</p> <p data-bbox="298 905 1182 932">The pump is fitted with a 1-phase, foot-mounted, fan-cooled asynchronous motor.</p> <p data-bbox="298 963 613 991">Further product details</p> <p data-bbox="298 1001 1354 1052">Pump and motor are integrated in a compact and user-friendly design. The pump is fitted to a low base plate, making it ideal for installation in systems where compactness is important.</p> <p data-bbox="298 1062 1354 1113">The state-of-the-art design and materials of the shaft seal ensure high wear resistance, improved sticking and dry-running capabilities and long operating life.</p> <p data-bbox="298 1123 1395 1173">Servicing the pump requires no special service tools. Service parts are in stock for quick delivery and are available as kits, single parts or bulk. Service videos are available on www.youtube.com.</p> <p data-bbox="298 1205 380 1232">Pump</p> <p data-bbox="298 1243 1382 1314">A combination of a stop ring and a Nord-lock® washer secures a tight and reliable fixation of the impeller spacing pipes to the splined pump shaft. It is possible to remove and fit the hydraulic parts from the pump side. The inlet part, chambers and discharge part are held together by four staybolts.</p> <p data-bbox="298 1354 1365 1404">The pump is fitted with an unbalanced O-ring seal with a rigid torque-transmission system. It has a fixed seal driver ensuring a reliable rotation of all parts. The dynamic secondary seal is an O-ring.</p> <p data-bbox="298 1415 444 1442">Primary seal:</p> <ul data-bbox="337 1444 891 1495" style="list-style-type: none">• Rotating seal ring material: silicon carbide (SiC)• Stationary seat material: silicon carbide (SiC) <p data-bbox="298 1505 1395 1556">This material pairing is used where higher corrosion resistance is required. The high hardness of this material pairing offers good resistance against abrasive particles.</p> <p data-bbox="298 1566 867 1593">Secondary seal material: FKM (fluorocarbon rubber)</p> <p data-bbox="298 1604 1398 1654">FKM has excellent resistance to oils and chemicals. Above 90 °C, FKM should only be used in media without water.</p> 



Company name:

Created by:

Phone:

Date:

3/27/2020

Count	Description
	<p>The pump shaft is connected to the motor shaft through a left thread and tight fit. The shaft cannot be dismantled.</p> <p>Motor</p> <p>The motor is a totally enclosed, fan-cooled motor with principal dimensions to EN 50347. Electrical tolerances comply with EN 60034.</p> <p>Technical data</p> <p>Controls:</p> <p>Frequency converter: NONE</p> <p>Liquid:</p> <p>Pumped liquid: Water</p> <p>Liquid temperature range: -4 .. 194 °F</p> <p>Selected liquid temperature: 68 °F</p> <p>Density: 62.29 lb/ft³</p> <p>Technical:</p> <p>Pump speed on which pump data are based: 3480 rpm</p> <p>Rated flow: 52.8 US gpm</p> <p>Rated head: 64.6 ft</p> <p>Code for shaft seal: AQQV</p> <p>Curve tolerance: ISO9906:2012 3B</p> <p>Materials:</p> <p>Pump housing: Cast iron EN-GJL-200 ASTM A48-25A</p> <p>Impeller: Stainless steel EN 1.4301 AISI 304</p> <p>Installation:</p> <p>Range of ambient temperature: -4 .. 131 °F</p> <p>Maximum operating pressure: 145.04 psi</p> <p>Max pressure at stated temperature: 145 psi / 194 °F 145 psi / 194 °F</p> <p>Type of connection: NPT(F)</p> <p>Size of suction port: 1 1/2 inch</p> <p>Size of outlet port: 1 1/2 inch</p> <p>Outlet position: 12</p> <p>Electrical data:</p> <p>Motor standard: NEMA</p> <p>Frame size: 80B</p> <p>Rated power - P2: 1.48 HP</p> <p>Main frequency: 60 Hz</p> <p>Suitable for 50/60 Hz: N</p>



Company name:
Created by:
Phone:

Date: 3/27/2020

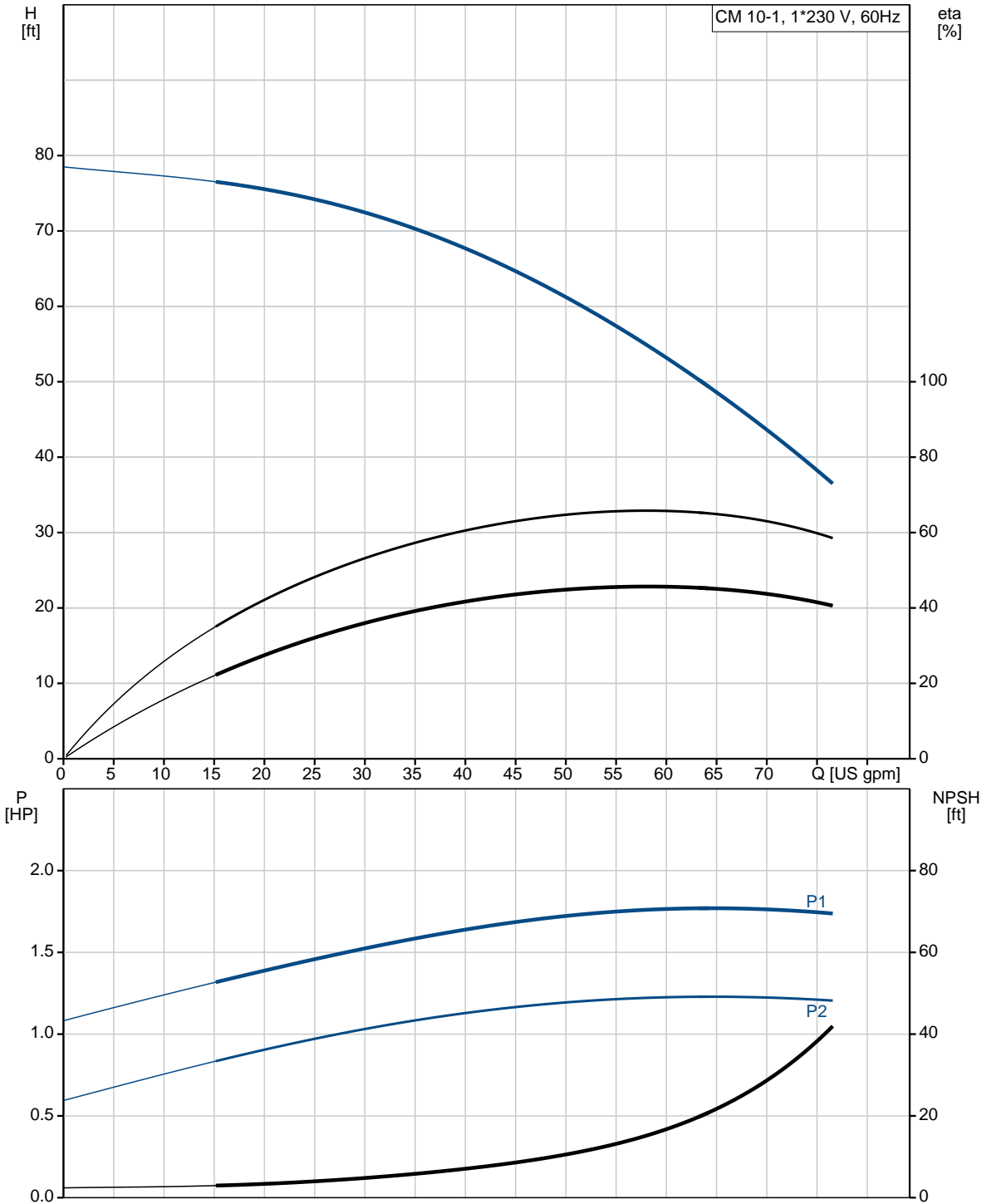
Count	Description
	Phase: 1
	Rated voltage: 115/230 V
	Service factor: 1.00
	Rated current: 14.6/7.3 A
	Starting current: 320-320 %
	Rated speed: 3320 rpm
	Enclosure class (IEC 34-5): IP55
	Insulation class (IEC 85): F
	Built-in motor protection: NONE
	Others:
	Terminal box position: 12
	Minimum efficiency index, MEI $\eta_{\%}$: 0.7
	Net weight: 51.6 lb
	Gross weight: 57.1 lb
	Approvals: CE,CULUS,WRAS,ACS,TR,EAC,CURUS
	Country of origin: US
	Custom tariff no.: 8413.70.2040



Company name:
Created by:
Phone:

Date: 3/27/2020

97568502 CM 10-1 A-S-A-V-AQQV B-A-A-N 60 Hz

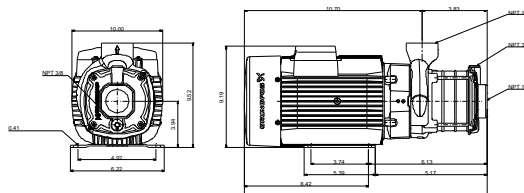
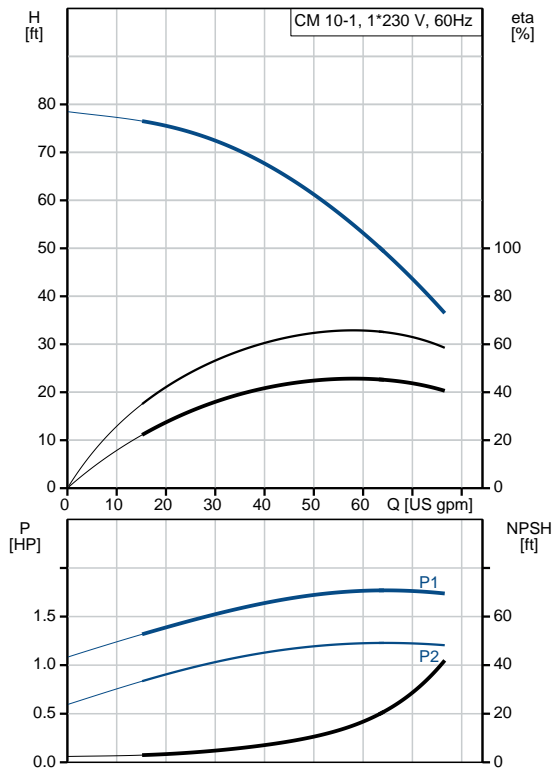




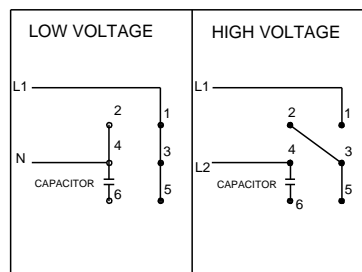
Company name:
Created by:
Phone:

Date: 3/27/2020

Description	Value
General information:	
Product name:	CM 10-1 A-S-A-V-AQQV B-A-A-N
Product No.:	97568502
EAN:	5700318670630 5700318670630
Technical:	
Pump speed on which pump data are based:	3480 rpm
Rated flow:	52.8 US gpm
Rated head:	64.6 ft
Impellers:	1
Code for shaft seal:	AQQV
Curve tolerance:	ISO9906:2012 3B
Pump version:	A
Model:	A
Materials:	
Pump housing:	Cast iron EN-GJL-200 ASTM A48-25A
Impeller:	Stainless steel EN 1.4301 AISI 304
Material code:	A
Code for rubber:	V
Installation:	
Range of ambient temperature:	-4 .. 131 °F
Maximum operating pressure:	145.04 psi
Max pressure at stated temperature:	145 psi / 194 °F 145 psi / 194 °F
Type of connection:	NPT(F)
Size of suction port:	1 1/2 inch
Size of outlet port:	1 1/2 inch
Outlet position:	12
Connect code:	S
Liquid:	
Pumped liquid:	Water
Liquid temperature range:	-4 .. 194 °F
Selected liquid temperature:	68 °F
Density:	62.29 lb/ft ³
Electrical data:	
Motor standard:	NEMA
Frame size:	80B
Rated power - P2:	1.48 HP
Main frequency:	60 Hz
Suitable for 50/60 Hz:	N
Phase:	1



SUITABLE FOR FIELD CONNECTION





Company name:

Created by:

Phone:

Date:

3/27/2020

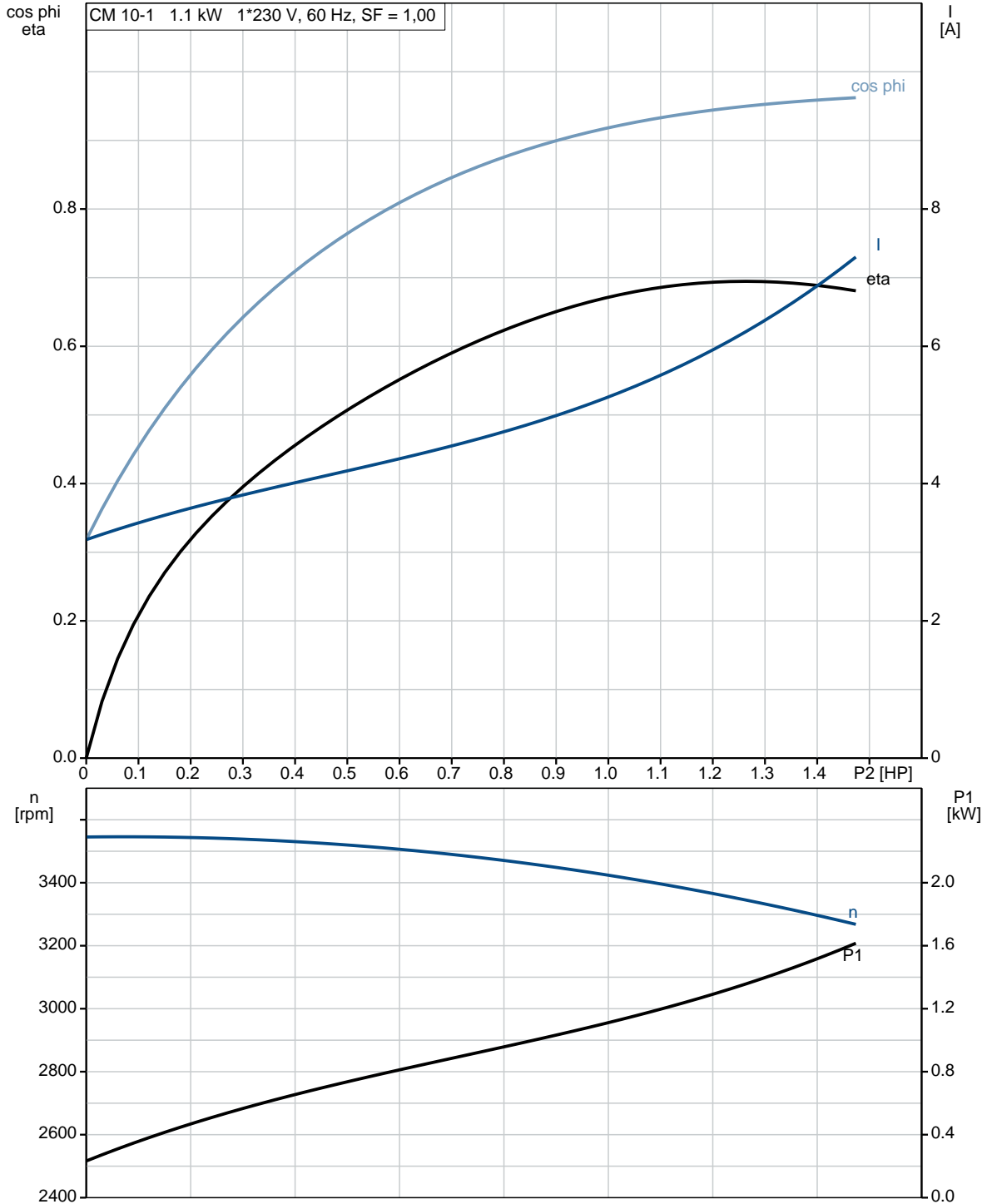
Description	Value
Rated voltage:	115/230 V
Service factor:	1.00
Rated current:	14.6/7.3 A
Starting current:	320-320 %
Rated speed:	3320 rpm
Enclosure class (IEC 34-5):	IP55
Insulation class (IEC 85):	F
Built-in motor protection:	NONE
Controls:	
Frequency converter:	NONE
Others:	
Terminal box position:	12
Minimum efficiency index, MEI â%â€¢:	0.7
Net weight:	51.6 lb
Gross weight:	57.1 lb
Approvals:	CE,CULUS,WRAS,ACS,TR,E AC,CURUS
Country of origin:	US
Custom tariff no.:	8413.70.2040



Company name:
Created by:
Phone:

Date: 3/27/2020

97568502 CM 10-1 A-S-A-V-AQQV B-A-A-N 60 Hz

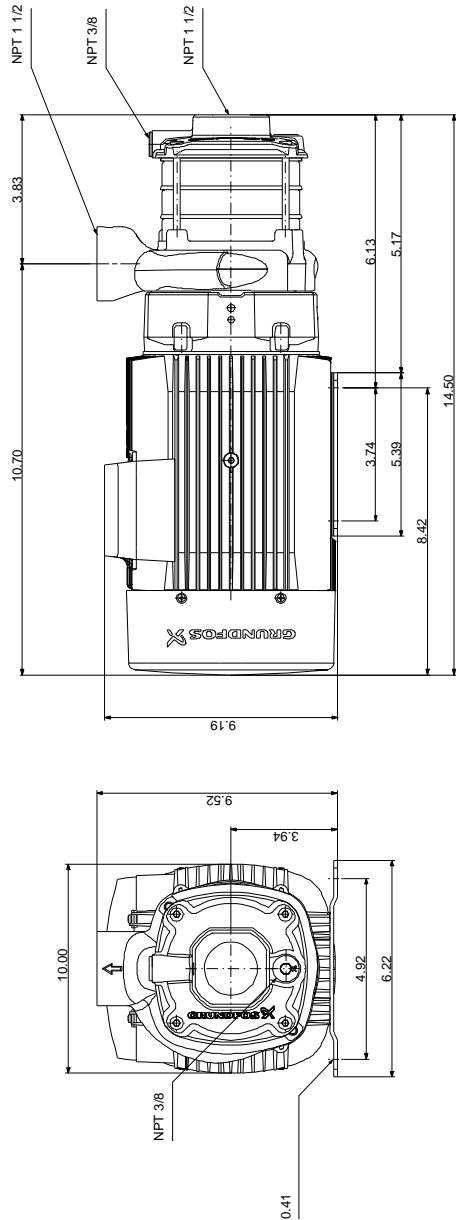




Company name:
Created by:
Phone:

Date: 3/27/2020

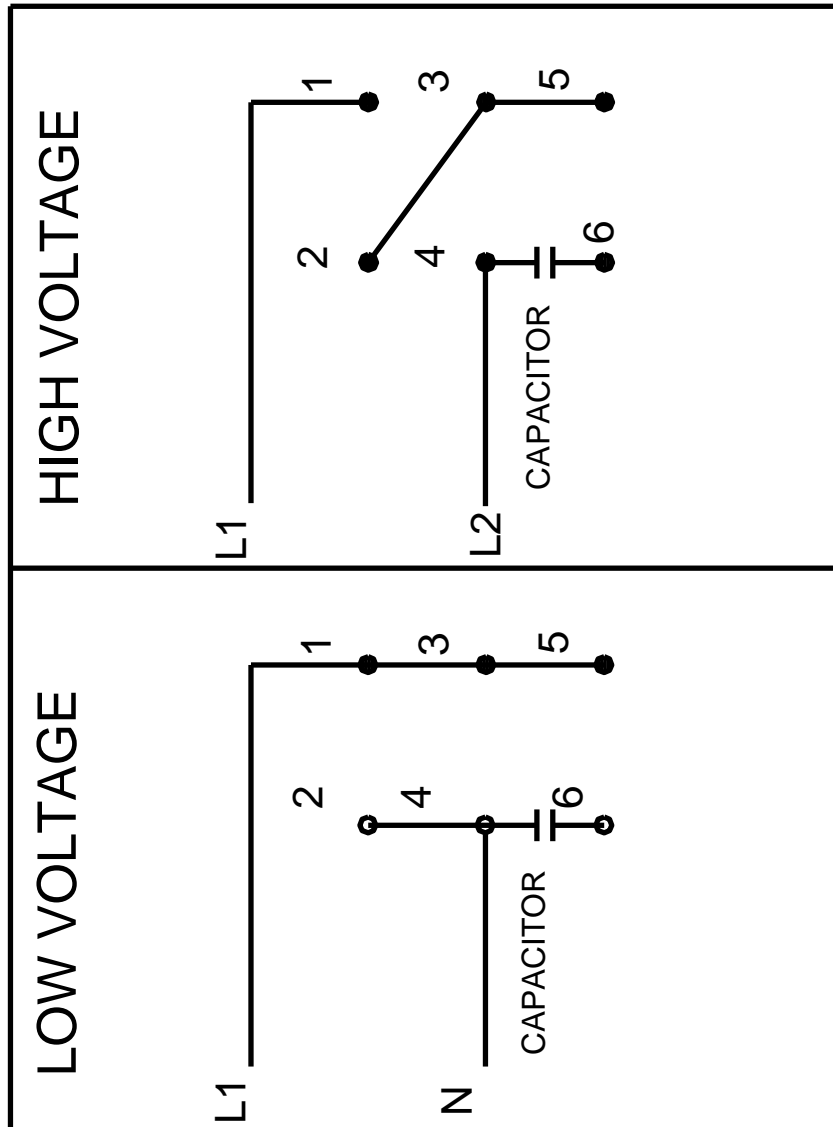
97568502 CM 10-1 A-S-A-V-AQQV B-A-A-N 60 Hz



Note! All units are in [in] unless otherwise stated.
Disclaimer: This simplified dimensional drawing does not show all details.

97568502 CM 10-1 A-S-A-V-AQQV B-A-A-N 60 Hz

SUITABLE FOR FIELD CONNECTION



All units are [in] unless otherwise presented.