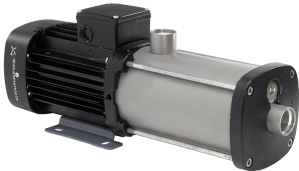


PROJECT: _____	UNIT TAG: _____	QUANTITY: _____
REPRESENTATIVE: _____	TYPE OF SERVICE: _____	DATE: _____
ENGINEER: _____	SUBMITTED BY: _____	DATE: _____
CONTRACTOR: _____	APPROVED BY: _____	DATE: _____
	ORDER NO.: _____	DATE: _____

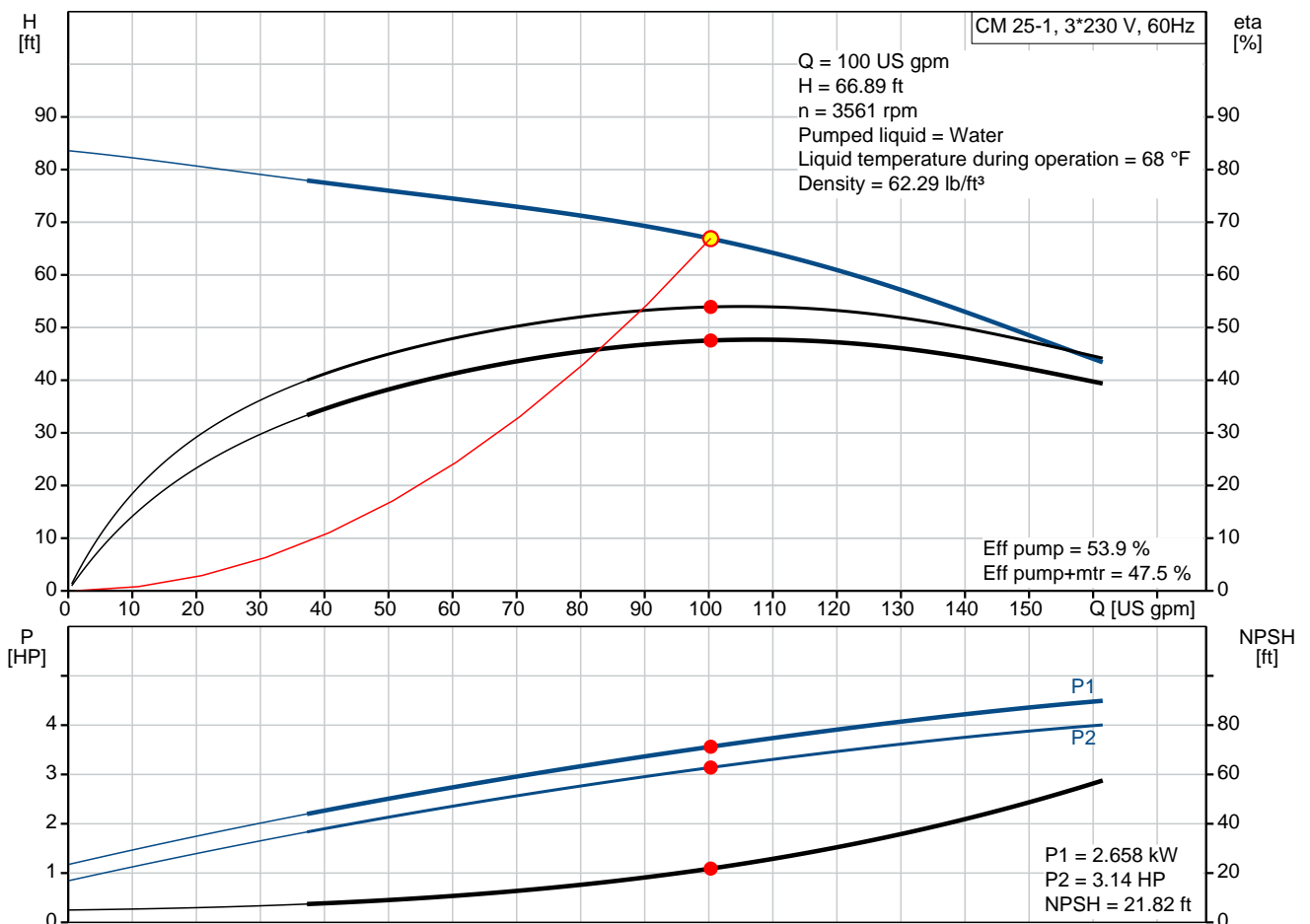
CM 25-1 A-S-I-E-AQQE E-A-A-N

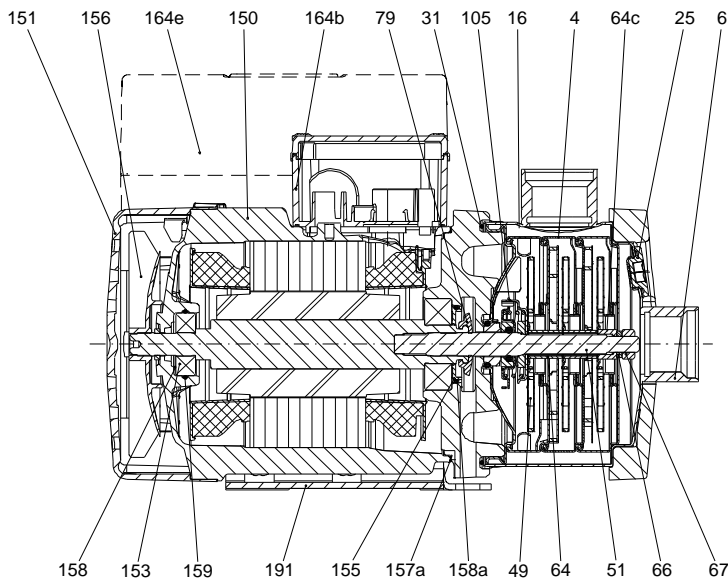
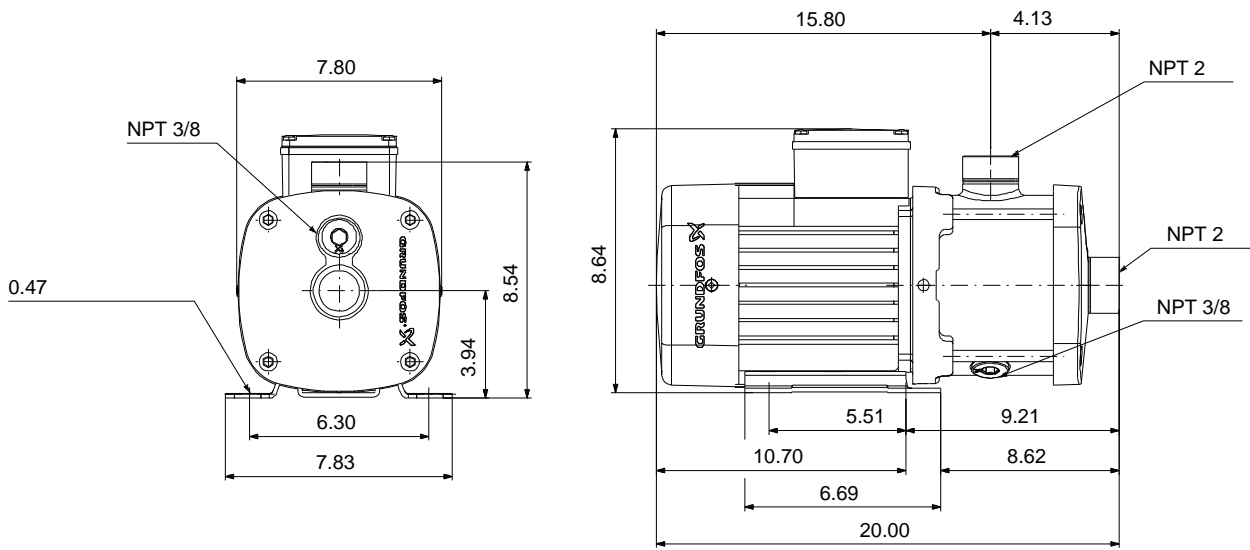


CM are reliable, quiet and compact horizontal end-suction pumps. The modular pump design makes it easy to make customised solutions. The CM pumps are available in cast iron and stainless steel

Product photo could vary from the actual product

Conditions of Service		Pump Data		Motor Data	
Flow:	100 US gpm	Max pressure at stated temperature:	232 psi / 194 °F	Main frequency:	60 Hz
Head:	66.89 ft	Liquid temperature range:	-4 .. 248 °F	Enclosure class:	IP55
Efficiency:	47.5 %	Maximum ambient temperature:	131 °F		
Liquid:	Water	Shaft seal:	AQQE		
Temperature:	68 °F	Product number:	97568594		
NPSH required:	21.82 ft				
Viscosity:	_____				
Specific Gravity:	1.000				





Materials:

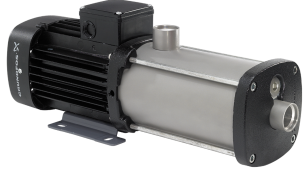
Pump housing: Stainless steel
AISI 304

Impeller: Stainless steel
AISI 304
EN 1.4301

Material code: I

Code for rubber: E

165x100

Count	Description
1	<p data-bbox="225 338 596 367">CM 25-1 A-S-I-E-AQQE E-A-A-N</p> <div data-bbox="256 439 560 607">  </div> <p data-bbox="619 629 1070 656" style="text-align: center;">Product photo could vary from the actual product</p> <p data-bbox="225 663 491 689">Product No.: 97568594</p> <p data-bbox="225 719 1422 797">Compact, reliable, horizontal, multistage, end-suction centrifugal pump with axial suction port and radial discharge port. Pump materials in contact with the liquid are in stainless steel. The mechanical shaft seal is a special designed, unbalanced O-ring seal. Pipework connection is via internal NPT pipe threads.</p> <p data-bbox="225 804 1118 831">The pump is fitted with a 3-phase, foot-mounted, fan-cooled asynchronous motor.</p> <p data-bbox="225 864 336 891">Controls:</p> <p data-bbox="225 896 660 922">Frequency converter: NONE</p> <p data-bbox="225 954 312 981">Liquid:</p> <p data-bbox="225 985 660 1012">Pumped liquid: Water</p> <p data-bbox="225 1016 715 1043">Liquid temperature range: -4 .. 248 °F</p> <p data-bbox="225 1048 651 1075">Selected liquid temperature: 68 °F</p> <p data-bbox="225 1079 708 1106">Density: 62.29 lb/ft³</p> <p data-bbox="225 1137 352 1164">Technical:</p> <p data-bbox="225 1169 847 1196">Pump speed on which pump data are based: 3480 rpm</p> <p data-bbox="225 1200 730 1227">Actual calculated flow: 100 US gpm</p> <p data-bbox="225 1232 730 1258">Rated flow: 116 US gpm</p> <p data-bbox="225 1263 676 1290">Resulting head of the pump: 66.89 ft</p> <p data-bbox="225 1294 676 1321">Rated head: 62.57 ft</p> <p data-bbox="225 1326 660 1352">Code for shaft seal: AQQE</p> <p data-bbox="225 1357 788 1384">Curve tolerance: ISO9906:2012 3B</p> <p data-bbox="225 1415 344 1442">Materials:</p> <p data-bbox="225 1447 751 1518">Pump housing: Stainless steel EN 1.4301 AISI 304</p> <p data-bbox="225 1523 751 1594">Impeller: Stainless steel EN 1.4301 AISI 304</p> <p data-bbox="225 1648 368 1675">Installation:</p> <p data-bbox="225 1680 715 1706">Range of ambient temperature: -4 .. 131 °F</p> <p data-bbox="225 1711 708 1738">Maximum operating pressure: 232.06 psi</p> <p data-bbox="225 1742 831 1792">Max pressure at stated temperature: 232 psi / 194 °F 145 psi / 250 °F</p> <p data-bbox="225 1796 676 1823">Type of connection: NPT(F)</p> <p data-bbox="225 1827 660 1854">Size of suction port: 2 inch</p> <p data-bbox="225 1859 660 1886">Size of outlet port: 2 inch</p> <p data-bbox="225 1890 619 1917">Outlet position: 12</p> <p data-bbox="225 1948 400 1975">Electrical data:</p> <p data-bbox="225 1980 660 2007">Motor standard: NEMA</p> <p data-bbox="225 2011 651 2038">Frame size: 100B</p> <p data-bbox="225 2042 826 2069">IE efficiency class: IE3 / NEMA Premium</p> <p data-bbox="225 2074 676 2101">Rated power - P2: 5.36 HP</p>



Company name:

Created by:

Phone:

Date:

3/31/2020

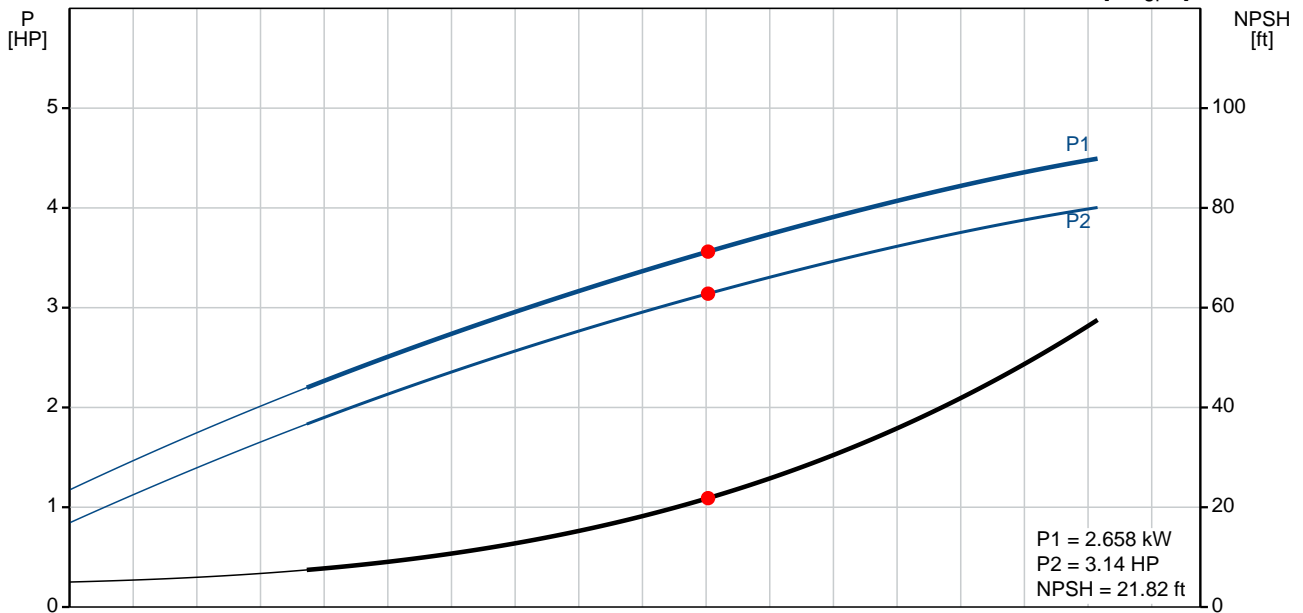
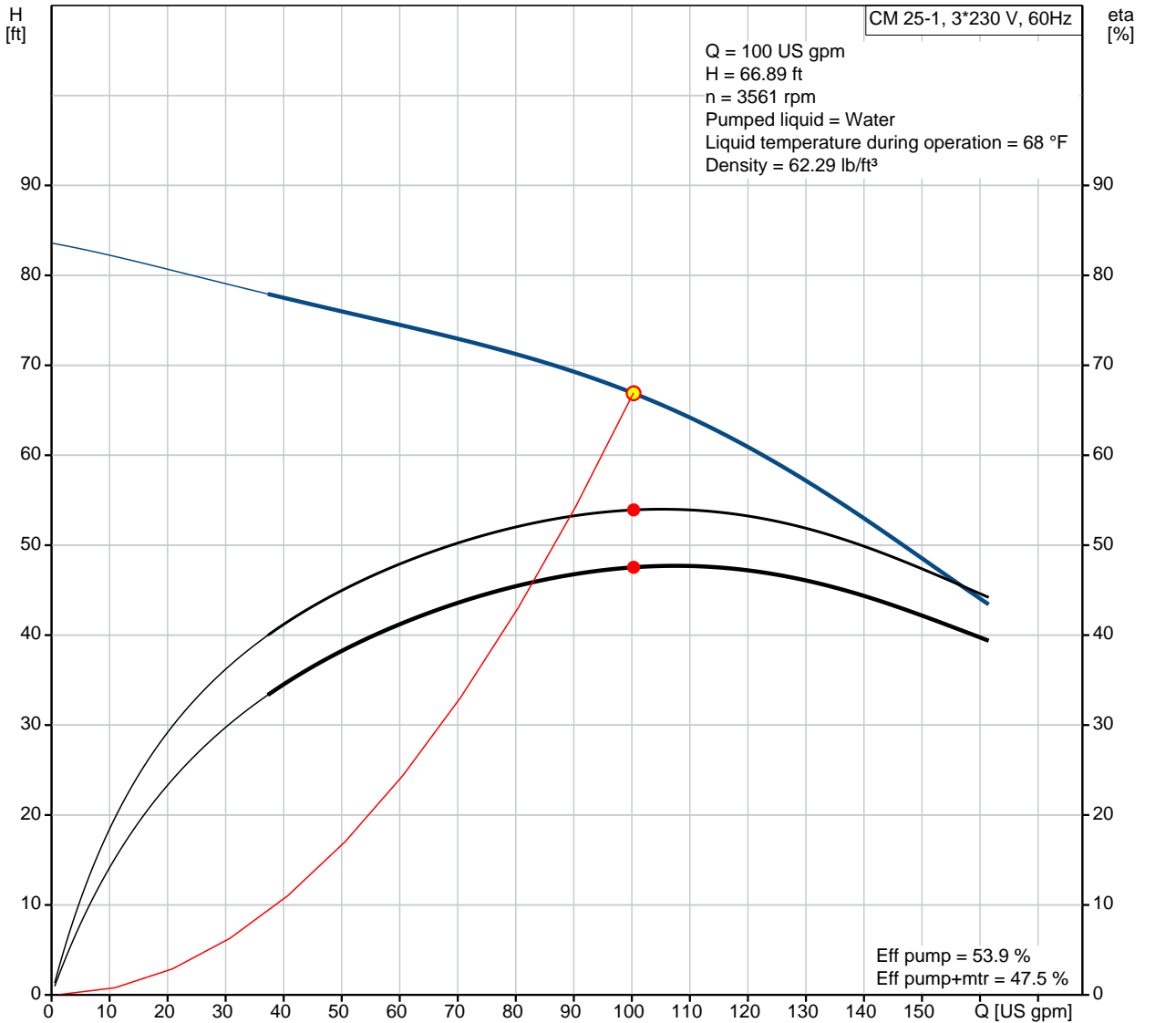
Count	Description
	Main frequency: 60 Hz
	Suitable for 50/60 Hz: N
	Phase: 3
	Rated voltage: 208-230YY/440-480Y V
	Service factor: 1.00
	Rated current: 14,8-14,2/7,2-7,0 A
	Rated speed: 3520-3530 rpm
	Enclosure class (IEC 34-5): IP55
	Insulation class (IEC 85): F
	Built-in motor protection: NONE
	Others:
	Terminal box position: 12
	Minimum efficiency index, MEI $\eta_{\%}$: 0.41
	Net weight: 77.1 lb
	Gross weight: 82.6 lb
	Approvals: CE,CULUS,WRAS,ACS,TR,EAC,CURUS
	Country of origin: US
	Custom tariff no.: 8413.70.2040



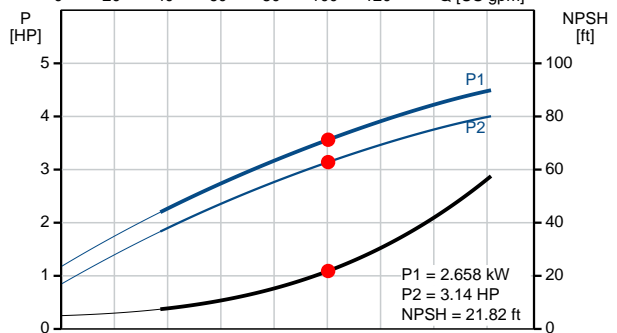
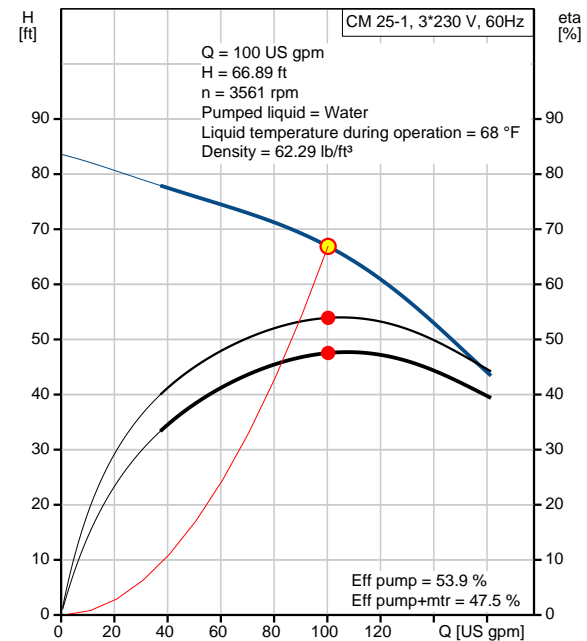
Company name:
Created by:
Phone:

Date: 3/31/2020

97568594 CM 25-1 A-S-I-E-AQQE E-A-A-N 60 Hz



Description	Value
General information:	
Product name:	CM 25-1 A-S-I-E-AQQE E-A-A-N
Product No.:	97568594
EAN:	5700318671552 5700318671552
Technical:	
Pump speed on which pump data are based:	3480 rpm
Actual calculated flow:	100 US gpm
Rated flow:	116 US gpm
Resulting head of the pump:	66.89 ft
Rated head:	62.57 ft
Impellers:	1
Code for shaft seal:	AQQE
Curve tolerance:	ISO9906:2012 3B
Pump version:	A
Model:	A
Materials:	
Pump housing:	Stainless steel EN 1.4301 AISI 304
Impeller:	Stainless steel EN 1.4301 AISI 304
Material code:	I
Code for rubber:	E
Installation:	
Range of ambient temperature:	-4 .. 131 °F
Maximum operating pressure:	232.06 psi
Max pressure at stated temperature:	232 psi / 194 °F 145 psi / 250 °F
Type of connection:	NPT(F)
Size of suction port:	2 inch
Size of outlet port:	2 inch
Outlet position:	12
Connect code:	S
Liquid:	
Pumped liquid:	Water
Liquid temperature range:	-4 .. 248 °F
Selected liquid temperature:	68 °F
Density:	62.29 lb/ft ³
Electrical data:	
Motor standard:	NEMA
Frame size:	100B
IE efficiency class:	IE3 / NEMA Premium
Rated power - P2:	5.36 HP
Main frequency:	60 Hz
Suitable for 50/60 Hz:	N
Phase:	3
Rated voltage:	208-230YY/440-480Y V
Service factor:	1.00
Rated current:	14,8-14,2/7,2-7,0 A
Rated speed:	3520-3530 rpm
Enclosure class (IEC 34-5):	IP55
Insulation class (IEC 85):	F
Built-in motor protection:	NONE
Controls:	





Company name:

Created by:

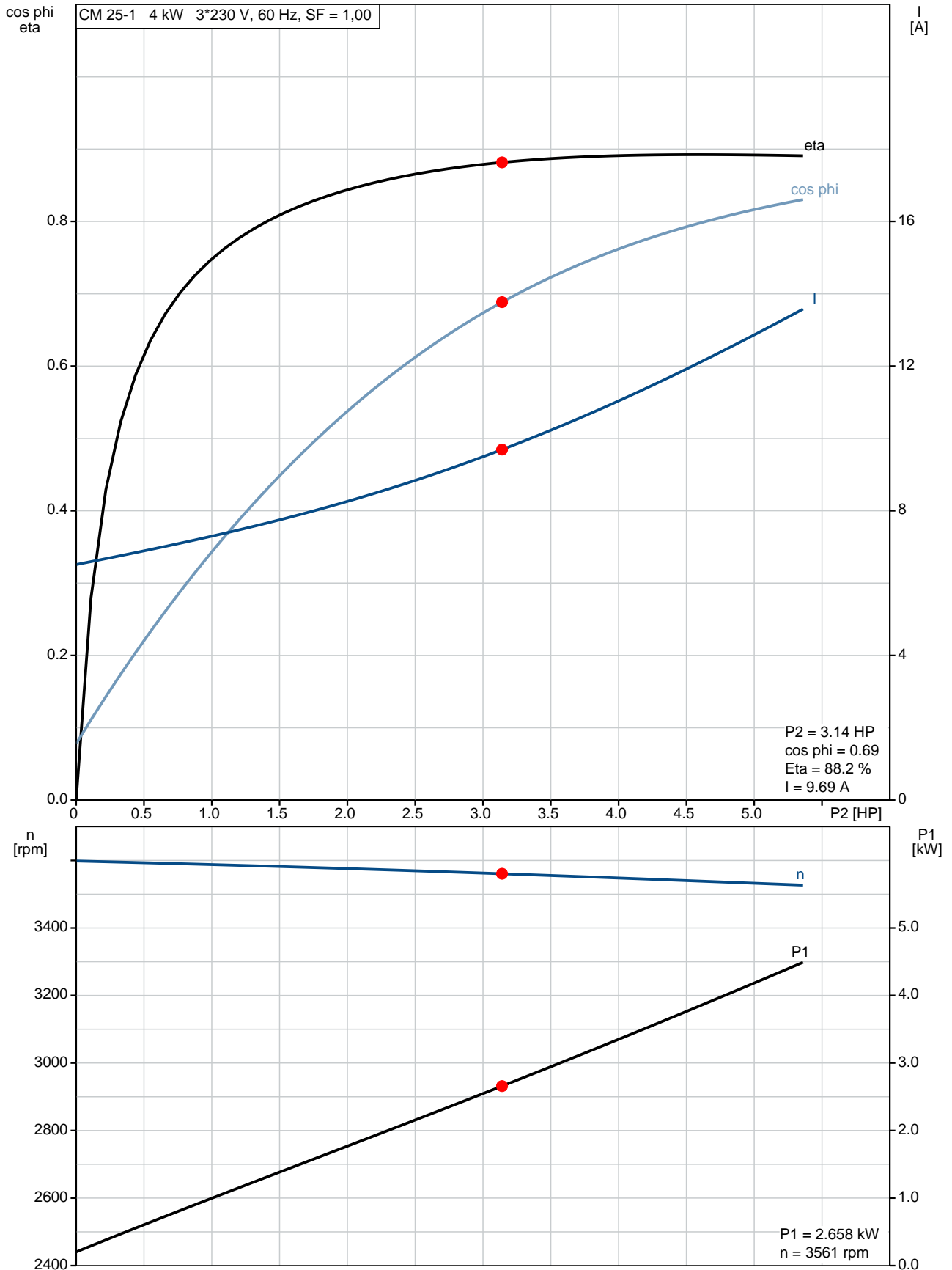
Phone:

Date:

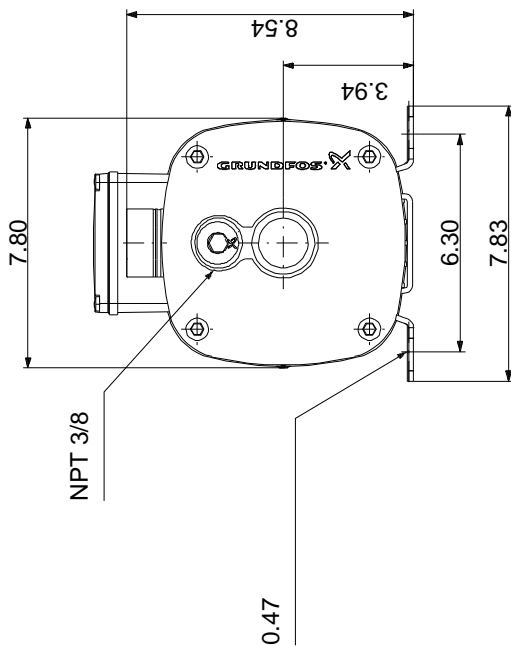
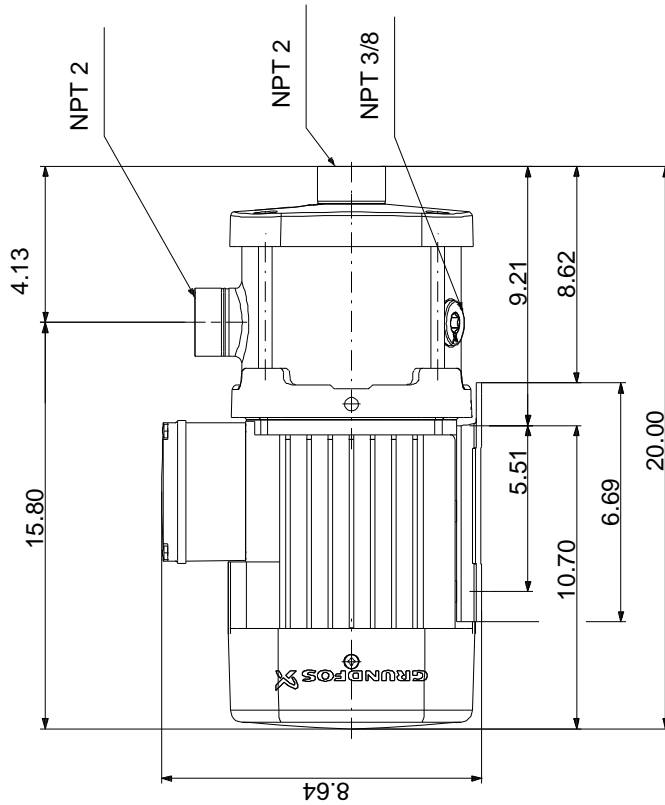
3/31/2020

Description	Value
Frequency converter:	NONE
Others:	
Terminal box position:	12
Minimum efficiency index, MEI â%â€:â	0.41
Net weight:	77.1 lb
Gross weight:	82.6 lb
Approvals:	CE,CULUS,WRAS,ACS,TR,EA C,CURUS
Country of origin:	US
Custom tariff no.:	8413.70.2040

97568594 CM 25-1 A-S-I-E-AQQE E-A-A-N 60 Hz



97568594 CM 25-1 A-S-I-E-AQQE E-A-A-N 60 Hz



Note! All units are in [in] unless otherwise stated.
Disclaimer: This simplified dimensional drawing does not show all details.

97568594 CM 25-1 A-S-I-E-AQQE E-A-A-N 60 Hz

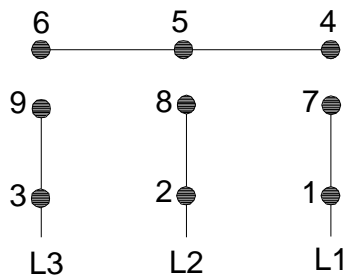


WARNING

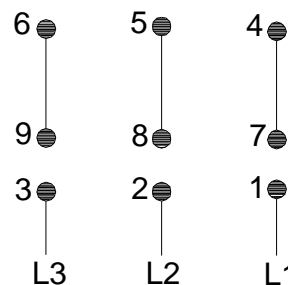
MOTOR MUST BE GROUNDED IN ACCORDANCE WITH THE NATIONAL ELECTRICAL CODE AND LOCAL CODES BY TRAINED PERSONNEL TO PREVENT SERIOUS ELECTRICAL SHOCKS.

TO SERVICE MOTOR, DISCONNECT POWER SOURCE FROM MOTOR AND ANY ACCESSORY DEVICES AND ALLOW MOTOR TO COME TO A COMPLETE STAND STILL.

LOW VOLTAGE 60Hz. 208-230V



HIGH VOLTAGE 60Hz: 460V 50Hz: 400V



96553852

INTERCHANGE ANY TWO LINE WIRES TO REVERSE ROTATION
THERMOSTAT LEADS
(WHEN PROVIDED)

