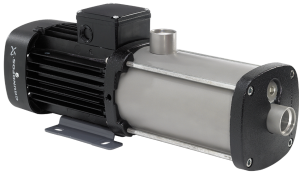


PROJECT: _____	UNIT TAG: _____	QUANTITY: _____
REPRESENTATIVE: _____	TYPE OF SERVICE: _____	DATE: _____
ENGINEER: _____	SUBMITTED BY: _____	DATE: _____
CONTRACTOR: _____	APPROVED BY: _____	DATE: _____
	ORDER NO.: _____	DATE: _____

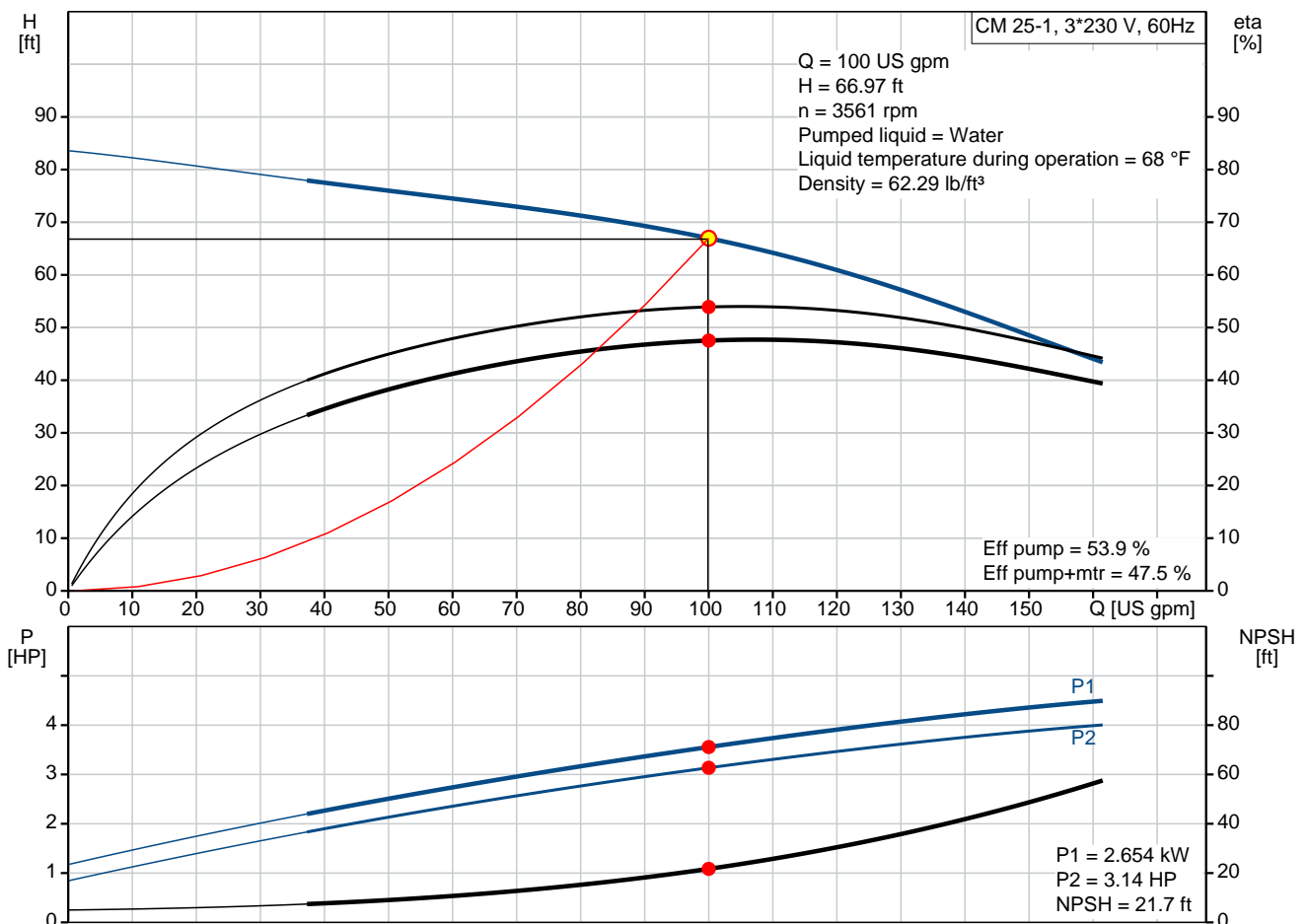
CM 25-1 A-S-I-V-AQQV E-A-A-N

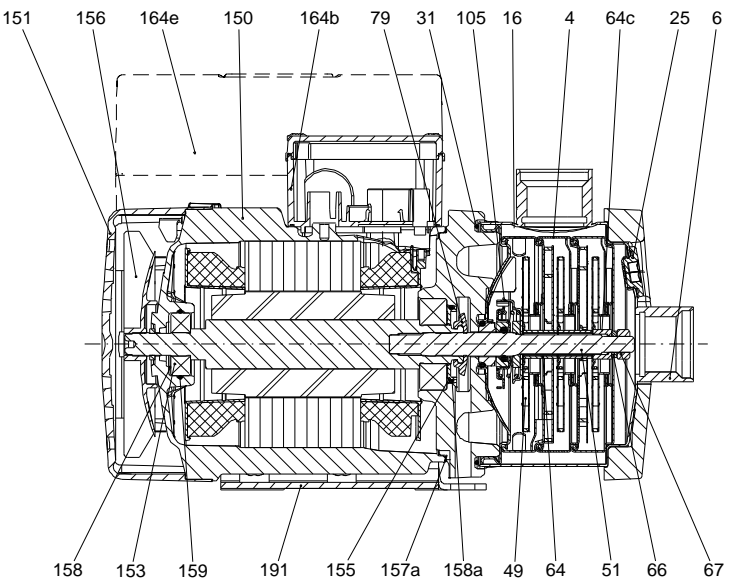
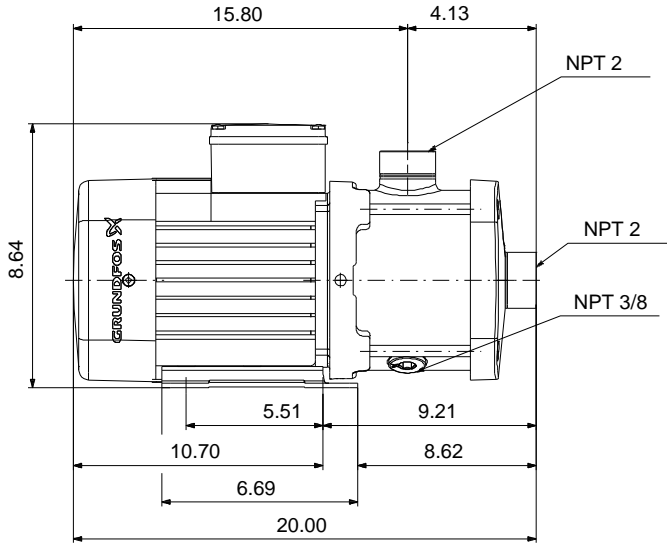
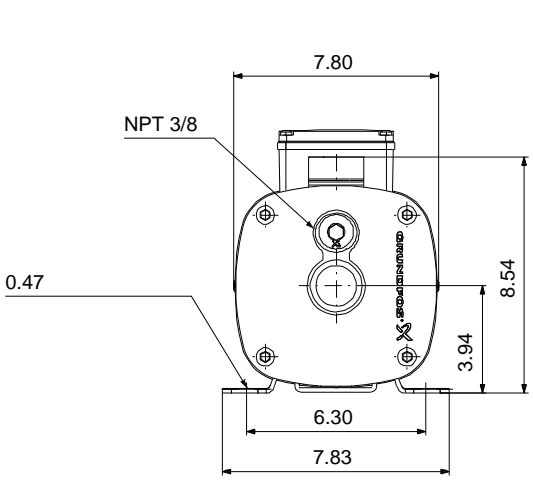


CM are reliable, quiet and compact horizontal end-suction pumps. The modular pump design makes it easy to make customised solutions. The CM pumps are available in cast iron and stainless steel

Product photo could vary from the actual product

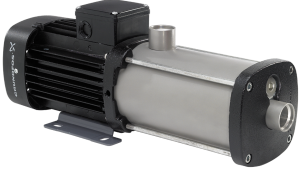
Conditions of Service		Pump Data		Motor Data	
Flow:	100 US gpm	Max pressure at stated temperature:	232 psi / 194 °F	Main frequency:	60 Hz
Head:	66.97 ft	Liquid temperature range:	-4 .. 248 °F	Enclosure class:	IP55
Efficiency:	47.5 %	Maximum ambient temperature:	131 °F		
Liquid:	Water	Shaft seal:	AQQV		
Temperature:	68 °F	Product number:	97568596		
NPSH required:	21.7 ft				
Viscosity:	_____				
Specific Gravity:	1.000				





Materials:
 Pump housing: Stainless steel
 AISI 304
 Impeller: Stainless steel
 AISI 304
 EN 1.4301
 Material code: I
 Code for rubber: V

165x100

Count	Description
1	<p data-bbox="225 342 595 365">CM 25-1 A-S-I-V-AQQV E-A-A-N</p> <div data-bbox="260 439 560 607">  </div> <p data-bbox="619 629 1070 651" style="text-align: center;">Product photo could vary from the actual product</p> <p data-bbox="225 663 491 685">Product No.: 97568596</p> <p data-bbox="225 723 1422 797">Compact, reliable, horizontal, multistage, end-suction centrifugal pump with axial suction port and radial discharge port. Pump materials in contact with the liquid are in stainless steel. The mechanical shaft seal is a special designed, unbalanced O-ring seal. Pipework connection is via internal NPT pipe threads.</p> <p data-bbox="225 808 1118 831">The pump is fitted with a 3-phase, foot-mounted, fan-cooled asynchronous motor.</p> <p data-bbox="225 869 336 891">Controls:</p> <p data-bbox="225 898 663 920">Frequency converter: NONE</p> <p data-bbox="225 958 312 981">Liquid:</p> <p data-bbox="225 987 663 1010">Pumped liquid: Water</p> <p data-bbox="225 1016 715 1039">Liquid temperature range: -4 .. 248 °F</p> <p data-bbox="225 1046 651 1068">Selected liquid temperature: 68 °F</p> <p data-bbox="225 1075 708 1097">Density: 62.29 lb/ft³</p> <p data-bbox="225 1135 352 1158">Technical:</p> <p data-bbox="225 1164 847 1187">Pump speed on which pump data are based: 3480 rpm</p> <p data-bbox="225 1193 730 1216">Actual calculated flow: 100 US gpm</p> <p data-bbox="225 1223 730 1245">Rated flow: 116 US gpm</p> <p data-bbox="225 1252 676 1274">Resulting head of the pump: 66.97 ft</p> <p data-bbox="225 1281 676 1303">Rated head: 62.57 ft</p> <p data-bbox="225 1310 663 1332">Code for shaft seal: AQQV</p> <p data-bbox="225 1339 788 1361">Curve tolerance: ISO9906:2012 3B</p> <p data-bbox="225 1400 344 1422">Materials:</p> <p data-bbox="225 1429 751 1514">Pump housing: Stainless steel EN 1.4301 AISI 304</p> <p data-bbox="225 1520 751 1606">Impeller: Stainless steel EN 1.4301 AISI 304</p> <p data-bbox="225 1644 368 1666">Installation:</p> <p data-bbox="225 1673 715 1695">Range of ambient temperature: -4 .. 131 °F</p> <p data-bbox="225 1702 708 1724">Maximum operating pressure: 232.06 psi</p> <p data-bbox="225 1731 831 1785">Max pressure at stated temperature: 232 psi / 194 °F 145 psi / 250 °F</p> <p data-bbox="225 1792 676 1814">Type of connection: NPT(F)</p> <p data-bbox="225 1821 663 1843">Size of suction port: 2 inch</p> <p data-bbox="225 1850 663 1872">Size of outlet port: 2 inch</p> <p data-bbox="225 1879 619 1901">Outlet position: 12</p> <p data-bbox="225 1939 400 1962">Electrical data:</p> <p data-bbox="225 1968 663 1991">Motor standard: NEMA</p> <p data-bbox="225 1998 651 2020">Frame size: 100B</p> <p data-bbox="225 2027 826 2049">IE efficiency class: IE3 / NEMA Premium</p> <p data-bbox="225 2056 676 2078">Rated power - P2: 5.36 HP</p>



Company name:

Created by:

Phone:

Date:

3/31/2020

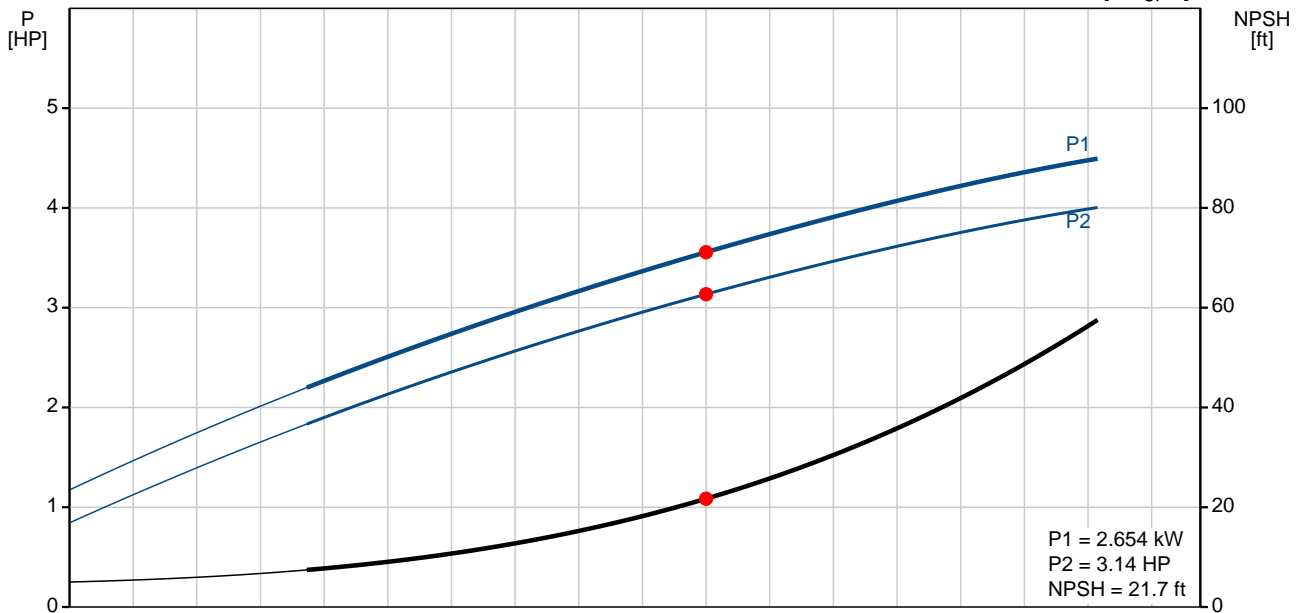
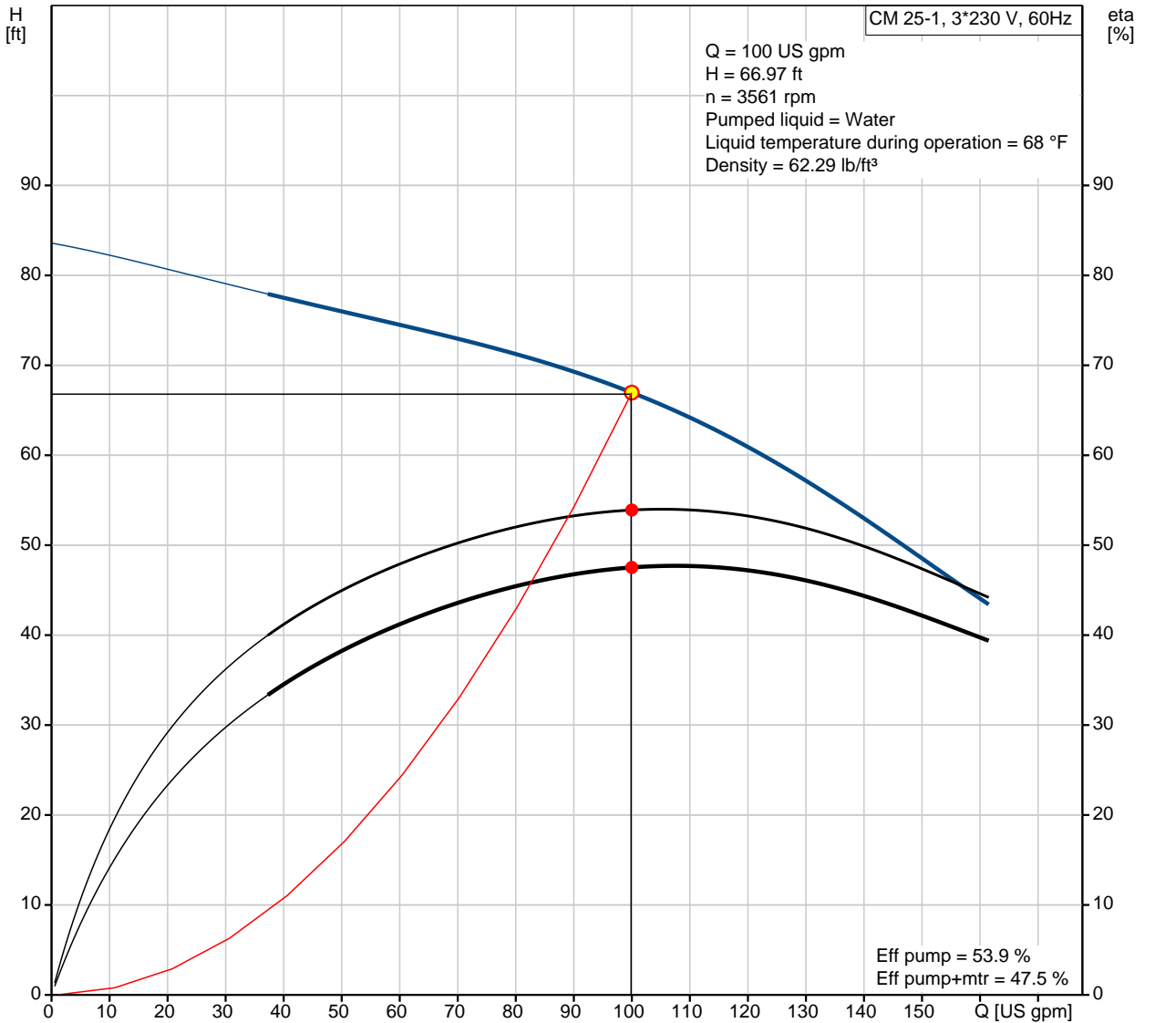
Count	Description
	Main frequency: 60 Hz
	Suitable for 50/60 Hz: N
	Phase: 3
	Rated voltage: 208-230YY/440-480Y V
	Service factor: 1.00
	Rated current: 14,8-14,2/7,2-7,0 A
	Rated speed: 3520-3530 rpm
	Enclosure class (IEC 34-5): IP55
	Insulation class (IEC 85): F
	Built-in motor protection: NONE
	Others:
	Terminal box position: 12
	Minimum efficiency index, MEI $\eta_{\%}$: 0.41
	Net weight: 77.1 lb
	Gross weight: 82.6 lb
	Approvals: CE,CULUS,WRAS,ACS,TR,EAC,CURUS
	Country of origin: US
	Custom tariff no.: 8413.70.2040



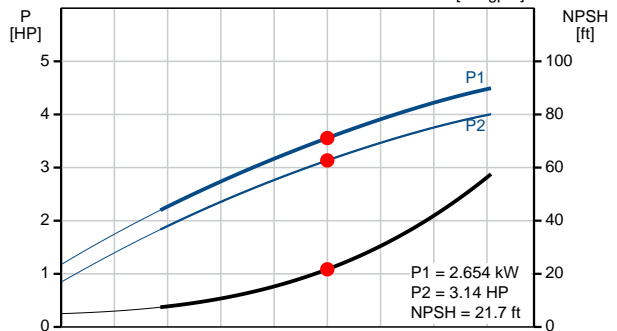
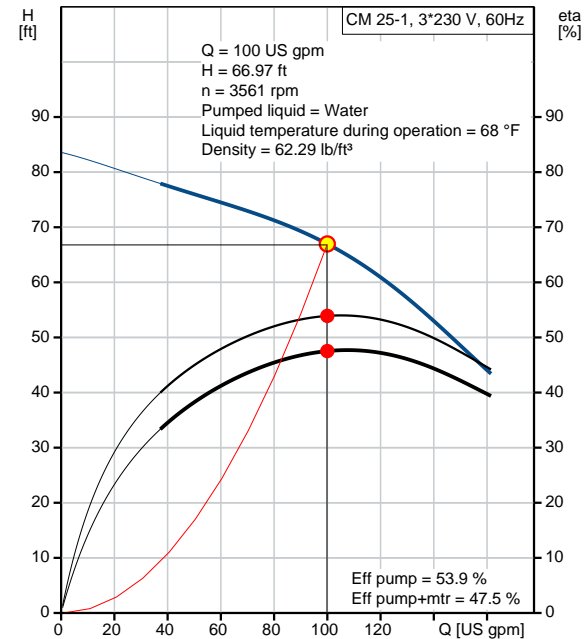
Company name:
Created by:
Phone:

Date: 3/31/2020

97568596 CM 25-1 A-S-I-V-AQQV E-A-A-N 60 Hz



Description	Value
General information:	
Product name:	CM 25-1 A-S-I-V-AQQV E-A-A-N
Product No.:	97568596
EAN:	5700318671576 5700318671576
Technical:	
Pump speed on which pump data are based:	3480 rpm
Actual calculated flow:	100 US gpm
Rated flow:	116 US gpm
Resulting head of the pump:	66.97 ft
Rated head:	62.57 ft
Impellers:	1
Code for shaft seal:	AQQV
Curve tolerance:	ISO9906:2012 3B
Pump version:	A
Model:	A
Materials:	
Pump housing:	Stainless steel EN 1.4301 AISI 304
Impeller:	Stainless steel EN 1.4301 AISI 304
Material code:	I
Code for rubber:	V
Installation:	
Range of ambient temperature:	-4 .. 131 °F
Maximum operating pressure:	232.06 psi
Max pressure at stated temperature:	232 psi / 194 °F 145 psi / 250 °F
Type of connection:	NPT(F)
Size of suction port:	2 inch
Size of outlet port:	2 inch
Outlet position:	12
Connect code:	S
Liquid:	
Pumped liquid:	Water
Liquid temperature range:	-4 .. 248 °F
Selected liquid temperature:	68 °F
Density:	62.29 lb/ft ³
Electrical data:	
Motor standard:	NEMA
Frame size:	100B
IE efficiency class:	IE3 / NEMA Premium
Rated power - P2:	5.36 HP
Main frequency:	60 Hz
Suitable for 50/60 Hz:	N
Phase:	3
Rated voltage:	208-230YY/440-480Y V
Service factor:	1.00
Rated current:	14,8-14,2/7,2-7,0 A
Rated speed:	3520-3530 rpm
Enclosure class (IEC 34-5):	IP55
Insulation class (IEC 85):	F
Built-in motor protection:	NONE
Controls:	





Company name:

Created by:

Phone:

Date:

3/31/2020

Description	Value
Frequency converter:	NONE
Others:	
Terminal box position:	12
Minimum efficiency index, MEI â%â€:â€:	0.41
Net weight:	77.1 lb
Gross weight:	82.6 lb
Approvals:	CE,CULUS,WRAS,ACS,TR,EA C,CURUS
Country of origin:	US
Custom tariff no.:	8413.70.2040



Company name:

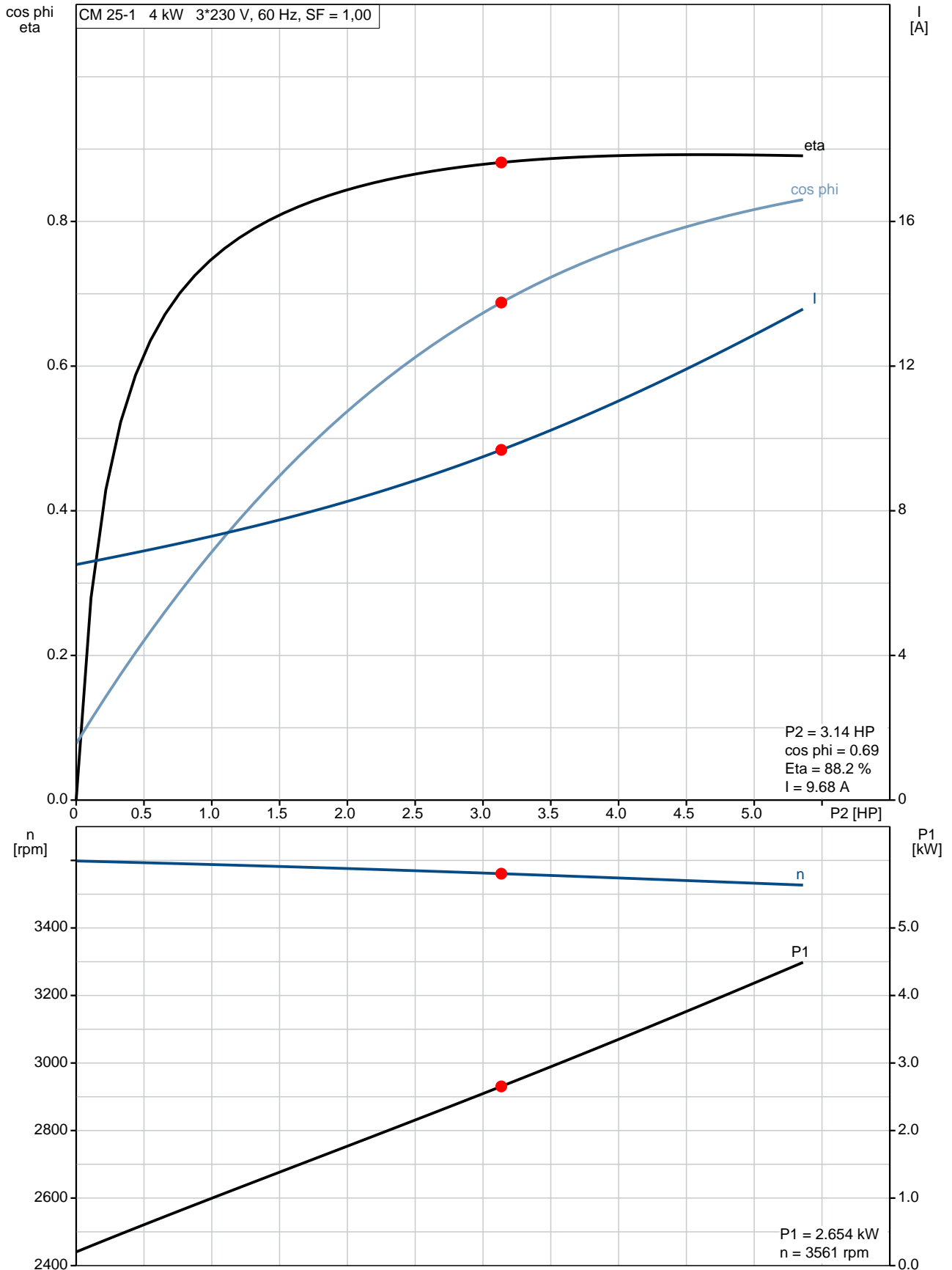
Created by:

Phone:

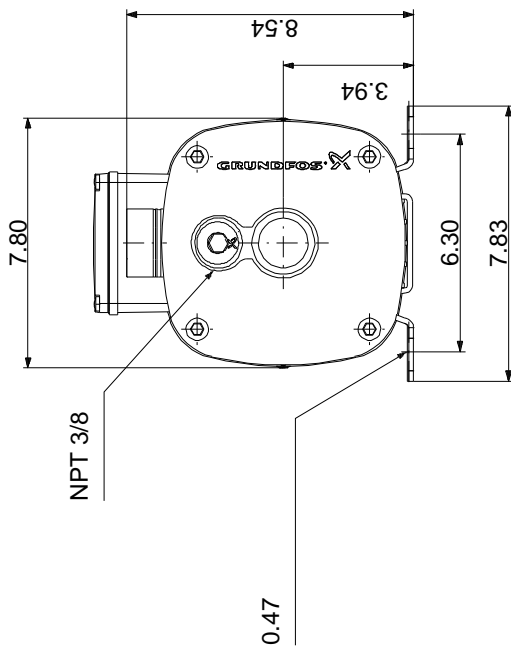
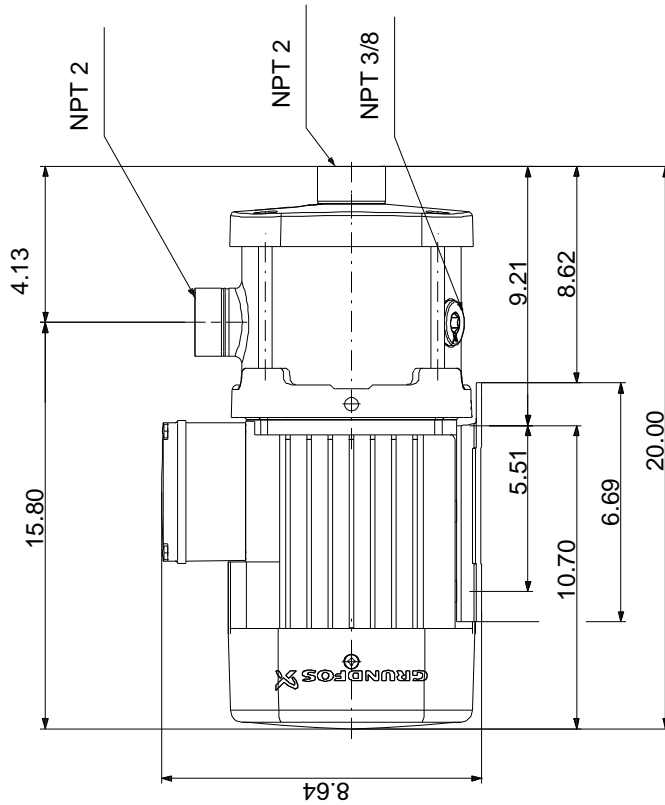
Date:

3/31/2020

97568596 CM 25-1 A-S-I-V-AQQV E-A-A-N 60 Hz



97568596 CM 25-1 A-S-I-V-AQQV E-A-A-N 60 Hz



Note! All units are in [in] unless otherwise stated.
Disclaimer: This simplified dimensional drawing does not show all details.

97568596 CM 25-1 A-S-I-V-AQQV E-A-A-N 60 Hz

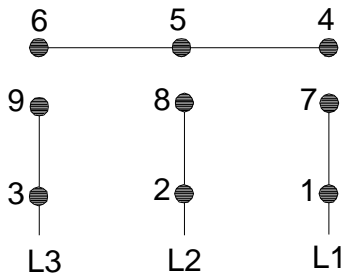


WARNING

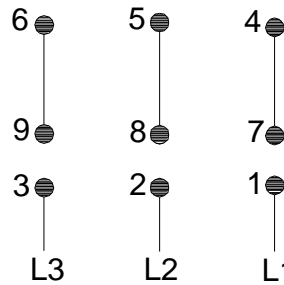
MOTOR MUST BE GROUNDED IN ACCORDANCE WITH THE NATIONAL ELECTRICAL CODE AND LOCAL CODES BY TRAINED PERSONNEL TO PREVENT SERIOUS ELECTRICAL SHOCKS.

TO SERVICE MOTOR, DISCONNECT POWER SOURCE FROM MOTOR AND ANY ACCESSORY DEVICES AND ALLOW MOTOR TO COME TO A COMPLETE STAND STILL.

LOW VOLTAGE 60Hz. 208-230V



HIGH VOLTAGE 60Hz: 460V 50Hz: 400V



96553852

INTERCHANGE ANY TWO LINE WIRES TO REVERSE ROTATION
THERMOSTAT LEADS
(WHEN PROVIDED)

